



SC8F577x User Manual

Enhanced 8-bit CMOS Microcontroller with Flash Memory

Rev. 1.8.1

Please be reminded about following CMS's policies on intellectual property

* Cmsemicon Limited (denoted as 'our company' for later use) has already applied for relative patents and entitled legal rights. Any patents related to CMS's MCU or other products is not authorized to use. Any individual, organization or company which infringes our company's intellectual property rights will be forbidden and stopped by our company through any legal actions, and our company will claim the lost and required for compensation of any damage to the company.

* The name of Cmsemicon Limited and logo are both trademarks of our company

* Our company preserve the rights to further elaborate on the improvements about product functions, reliability and design in this manual. However, our company is not responsible for any usage about this manual. The applications and their purposes in this manual are just for clarification, our company does not guarantee that these applications are feasible without further improvements and changes, and does not recommend any usage of the products in areas where people's safety is endangered during accident. Our company's products are not authorized to be used for life-saving or life support devices and systems. our company has the right to change or improve the product without any notification, for latest news, please visit our website: www.mcu.com.cn

Please be reminded about following CMS's policies on intellectual property

Manual

1. PRODUCT DESCRIPTION.....	8
1.1 FEATURES	8
1.2 SYSTEM STRUCTURE DIAGRAM	9
1.3 PIN ALLOCATION	10
1.3.1 SC8F5771.....	10
1.3.2 SC8F5773.....	10
1.3.3 SC8F5775.....	11
1.3.4 SC8F5776.....	12
1.4 SYSTEM CONFIGURATION REGISTER	14
1.5 ONLINE SERIAL PROGRAMMING	16
2. CENTRAL PROCESSING UNIT (CPU).....	17
2.1 MEMORY	17
2.1.1 Program Memory	17
2.1.1.1 Reset Vector (0000H)	17
2.1.1.2 Interrupt Vector	18
2.1.1.3 Jump Table	19
2.1.2 Data Memory.....	20
2.2 ADDRESSING MODE	25
2.2.1 Direct Addressing	25
2.2.2 Immediate Addressing.....	25
2.2.3 Indirect Addressing.....	25
2.3 STACK.....	26
2.4 ACCUMULATOR (ACC).....	27
2.4.1 General	27
2.4.2 ACC Applications	27
2.5 PROGRAM STATUS REGISTER (STATUS)	28
2.6 PRE-SCALER (OPTION_REG)	30
2.7 PROGRAM COUNTER (PC)	32
2.8 WATCHDOG TIMER (WDT).....	33
2.8.1 WDT Period.....	33
2.8.2 Watchdog Timer Control.....	33
3. SYSTEM CLOCK	34
3.1 GENERAL	34
3.2 SYSTEM OSCILLATOR	36
3.2.1 Internal RC Oscillation	36
3.3 RESET TIME	36
3.4 OSCILLATOR CONTROL REGISTER.....	36
3.5 CLOCK BLOCK DIAGRAM	37
4. RESET.....	38
4.1 POWER ON RESET.....	38
4.2 EXTERNAL RESET	38
4.3 POWER OFF RESET	39
4.3.1 General	39
4.3.2 Improvements for Power off Reset.....	40
4.4 WATCHDOG RESET	40
5. SLEEP MODE	41

5.1	ENTER SLEEP MODE	41
5.2	AWAKEN FROM SLEEP MODE	41
5.3	INTERRUPT AWAKENING	42
5.4	SLEEP MODE APPLICATION	42
5.5	SLEEP MODE AWAKEN TIME	43
6.	I/O PORT	44
6.1	I/O SUMMARY	44
6.2	PORTA	47
6.2.1	PORTA Data and Direction Control	47
6.2.2	PORTA Analog Control Selection	48
6.2.3	PORTA Pull Up Resistance	48
6.2.4	PORTA Pull Down Resistance	49
6.2.5	PORTA Level Change Interrupt	49
6.3	PORTB	51
6.3.1	PORTB Data and Direction	51
6.3.2	PORTB Analog Selection Control	52
6.3.3	PORTB Pull Down Resistance	52
6.3.4	PORTB Pull up Resistance	53
6.3.5	PORTB Level Change Interrupt	53
6.4	PORTC	55
6.4.1	PORTC Data and Direction	55
6.4.2	PORTC Analog Control Selection	56
6.4.3	PORTC Pull Down Resistance	56
6.4.4	PORTC Pull up Resistance	57
6.4.5	PORTC Level Change Interrupt	57
6.5	I/O USAGE	59
6.5.1	Write I/O Port	59
6.5.2	Read I/O Port	59
6.6	PRECAUTIONS FOR I/O PORT USAGE	60
7.	INTERRUPT	61
7.1	INTERRUPT GENERAL	61
7.2	INTERRUPT CONTROL REGISTER	62
7.2.1	Interrupt Control Register	62
7.2.2	Peripherals Interrupt Enable Register	63
7.2.3	Peripherals Interrupt Request Register	65
7.3	PROTECTION METHODS FOR INTERRUPT	67
7.4	INTERRUPT PRIORITY AND MULTI-INTERRUPT NESTING	67
8.	TIMER0	68
8.1	TIMER0 GENERAL	68
8.2	WORKING PRINCIPLE FOR TIMER0	69
8.2.1	8-bit Timer Mode	69
8.2.2	8-bit Counter Mode	69
8.2.3	Software Programmable Pre-scaler	69
8.2.4	Switch Prescaler Between TIMER0 and WDT Module	70
8.2.5	TIMER0 Interrupt	70
8.3	TIMER0 RELATED REGISTER	71
9.	TIMER2	72
9.1	TIMER2 GENERAL	72

9.2	WORKING PRINCIPLE OF TIMER2	73
9.3	TIMER2 RELATED REGISTER.....	74
10.	ANALOG TO DIGITAL CONVERSION (ADC)	75
10.1	ADC GENERAL.....	75
10.2	ADC CONFIGURATION.....	76
10.2.1	Port configuration	76
10.2.2	Channel selection.....	76
10.2.3	ADC internal base voltage	76
10.2.4	ADC reference voltage.....	76
10.2.5	Converter clock	77
10.2.6	ADC Interrupt.....	78
10.2.7	Output Formatting	78
10.3	ADC WORKING PRINCIPLE	79
10.3.1	Start conversion	79
10.3.2	Complete conversion	79
10.3.3	Stop conversion	79
10.3.4	Working principle of ADC in sleep mode.....	79
10.3.5	A/D conversion procedure.....	80
10.4	ADC RELATED REGISTER	81
11.	PWM MOD.....	84
11.1	PIN CONFIGURATION	84
11.2	PWM RELATED REGISTER.....	84
11.3	SEQUENCE OF PWM REGISTER WRITE OPERATION	89
11.4	PWM PERIOD	89
11.5	PWM DUTY CYCLE.....	89
11.6	SYSTEM CLOCK FREQUENCY CHANGES.....	89
11.7	PROGRAMMABLE DEAD-TIME DELAY MODE	90
11.8	CONFIGURATE PWM	90
12.	PROGRAM EEPROM AND PROGRAM MEMORY CONTROL.....	91
12.1	GENERAL	91
12.2	RELATED REGISTER	92
12.2.1	EEADR and EEADRH Register.....	92
12.2.2	EECON1 and EECON2 Register	92
12.3	READ PROGRAM EEPROM.....	94
12.4	WRITE PROGRAM EEPROM.....	95
12.5	READ PROGRAM MEMORY	97
12.6	WRITE PROGRAM MEMORY	97
12.7	PRECAUTIONS ON PROGRAM EEPROM.....	98
12.7.1	Programming Time for Program EEPROM	98
12.7.2	Write Verification	98
12.7.3	Protection to Avoid Writing Wrongly	98
13.	CONSTANT CURRENT OUTPUT	99
13.1	THE RELATED REGISTER OF CONSTANT CURRENT OUTPUT.....	99
13.2	THE OPERATION FLOW OF CONSTANT CURRENT OUTPUT.....	99
14.	COMPARATOR (COMP)	100
14.1	THE BLOCK DIAGRAM OF COMPARATOR	100
14.2	THE RELATED REGISTER OF COMP	100

15. PROGRAMMABLE GAIN AMPLIFIER (PGA)	101
15.1 THE BLOCK DIAGRAM OF PGA	101
15.2 THE RELATED REGISTER OF PGA.....	102
15.3 THE OPERATION FLOW OF PGA.....	102
16. UNIVERSAL SYNCHRONOUS/ASYNCHRONOUS TRANSMITTER (USART)	103
16.1 USART ASYNCHRONOUS MODE	105
16.1.1 USART Asynchronous Generator	105
16.1.1.1 Enable Transmit	105
16.1.1.2 Transmit Data	106
16.1.1.3 Transmit Interrupt	106
16.1.1.4 TSR Status	106
16.1.1.5 Transmit 9-bit Character	106
16.1.1.6 Configure Asynchronous Transmit.....	107
16.1.2 USART Asynchronous Receiver	108
16.1.2.1 Enable Receiver	108
16.1.2.2 Receive Data	108
16.1.2.3 Receive Interrupt	109
16.1.2.4 Receive Frame Error	109
16.1.2.5 Receive Overflow Error.....	109
16.1.2.6 Receive 9-bit Character.....	109
16.1.2.7 Asynchronous Receive Configuration.....	110
16.2 CLOCK PRECISION FOR ASYNCHRONOUS OPERATIONS	111
16.3 USART RELATED REGISTER.....	111
16.4 USART BAUD RATE GENERATOR (BRG).....	113
16.5 USART SYNCHRONOUS MODE	114
16.5.1 Synchronous Master Control Mode.....	114
16.5.1.1 Master Control Clock	114
16.5.1.2 Clock Polarity.....	114
16.5.1.3 Synchronous Master Control Transmit	115
16.5.1.4 Synchronous Master Control Transmit Configuration	115
16.5.1.5 Synchronous Master Control Receive	116
16.5.1.6 Slave Clock.....	116
16.5.1.7 Receive Overflow Error.....	117
16.5.1.8 Receive 9-bit Character.....	117
16.5.1.9 Synchronous Master Control Receive Configuration	117
16.5.2 Synchronous Slave Mode	118
16.5.2.1 USART Synchronous Slave Transmit.....	118
16.5.2.2 Synchronous Slave Transmit Configuration.....	118
16.5.2.3 USART Synchronous Slave Receive.....	118
16.5.2.4 Synchronous Slave Receive Configuration.....	119
17. SPI MODE	120
17.1 SPI MODE GENERAL	120
17.2 SPI RELATED REGISTERS	121
17.3 SPI WORKING PRINCIPLE	123
17.4 ENABLE SPI I/O.....	125
17.5 MASTER CONTROL MODE	125
17.6 SLAVE MODE	127
17.7 SLAVE SYNCHRONOUS SELECTION.....	127
17.8 SLEEP OPERATION	128

17.9	EFFECT OF RESET.....	128
18.	IIC MODE	129
18.1	IIC MODE GENERAL	129
18.2	IIC RELATED REGISTER.....	131
18.3	MASTER CONTROL MODE	134
18.3.1	I ² C Master Control Mode Support	134
18.3.1.1	I ² C Master Control Mode Operation.....	136
18.3.2	Baud Rate Generator.....	137
18.3.3	I ² C Master Control Mode Transmit	138
18.3.3.1	BF Status Indication.....	138
18.3.3.2	WCOL Status Indication	138
18.3.3.3	ACKSTAT Status Indication	138
18.3.4	I ² C Master Control Mode Receive.....	139
18.3.4.1	BF Status Indication.....	139
18.3.4.2	WCOL Status Indication	139
18.3.5	I ² C Master Control Mode Start Condition Time Series	141
18.3.5.1	WCOL Status Indication	141
18.3.6	I ² C Master Control Mode Repeat Condition Time Series	142
18.3.6.1	WCOL Status Indication	142
18.3.7	ACK Time Series.....	143
18.3.7.1	WCOL Status Indication	143
18.3.8	Stop Condition.....	144
18.3.8.1	WCOL Status Indication	144
18.3.9	Clock Arbitration	145
18.3.10	Multi Master Mode.....	145
18.3.11	Multi Master Communication, Bus Conflict and Bus Arbitration	146
18.4	SLAVE MODE	147
18.4.1	Addressing	148
18.4.2	Receiving	148
18.4.3	Transmit	149
18.4.4	I2C Masking Register.....	150
18.5	OPERATION UNDER SLEEP MODE	151
18.6	EFFECT OF RESET.....	151
19.	TOUCH BUTTON	152
19.1	TOUCH BUTTON MOD GENERAL.....	152
19.2	TOUCH BUTTON RELATED REGISTER.....	153
19.3	APPLICATION FOR TOUCH BUTTON MOD	156
19.3.1	The process of reading “data of touch button” in query mode.....	156
19.3.2	Judge method of key press	157
19.4	PRECAUTIONS FOR TOUCH BUTTON MOD	158
20.	LOW VOLTAGE DETECTION (LVD).....	159
20.1	LVD MOD GENERAL	159
20.2	LVD RELATED REGISTER	159
20.3	LVD OPERATION	159
21.	ELECTRICAL PARAMETER.....	160
21.1	LIMIT PARAMETER	160
21.2	DC FEATURE	160
21.3	ADC FEATURE.....	161

21.4	ADC INTERNAL LDO REFERENCE VOLTAGE CHARACTERISTICS	161
21.5	COMP FEATURE	162
21.6	PGA FEATURE.....	162
21.7	CONSTANT CURRENT SOURCE FEATURE	162
21.8	LVR FEATURE	162
21.9	AC FEATURE	163
22.	INSTRUCTIONS.....	164
22.1	INSTRUCTIONS TABLE	164
22.2	INSTRUCTIONS ILLUSTRATION	166
23.	PACKAGING	181
23.1	MSOP10.....	181
23.2	DFN10	182
23.3	TSSOP20	183
23.4	QFN20.....	184
23.5	QFN24.....	185
23.6	SSOP24	186
24.	VERSION REVISION	187

1. Product Description

1.1 Features

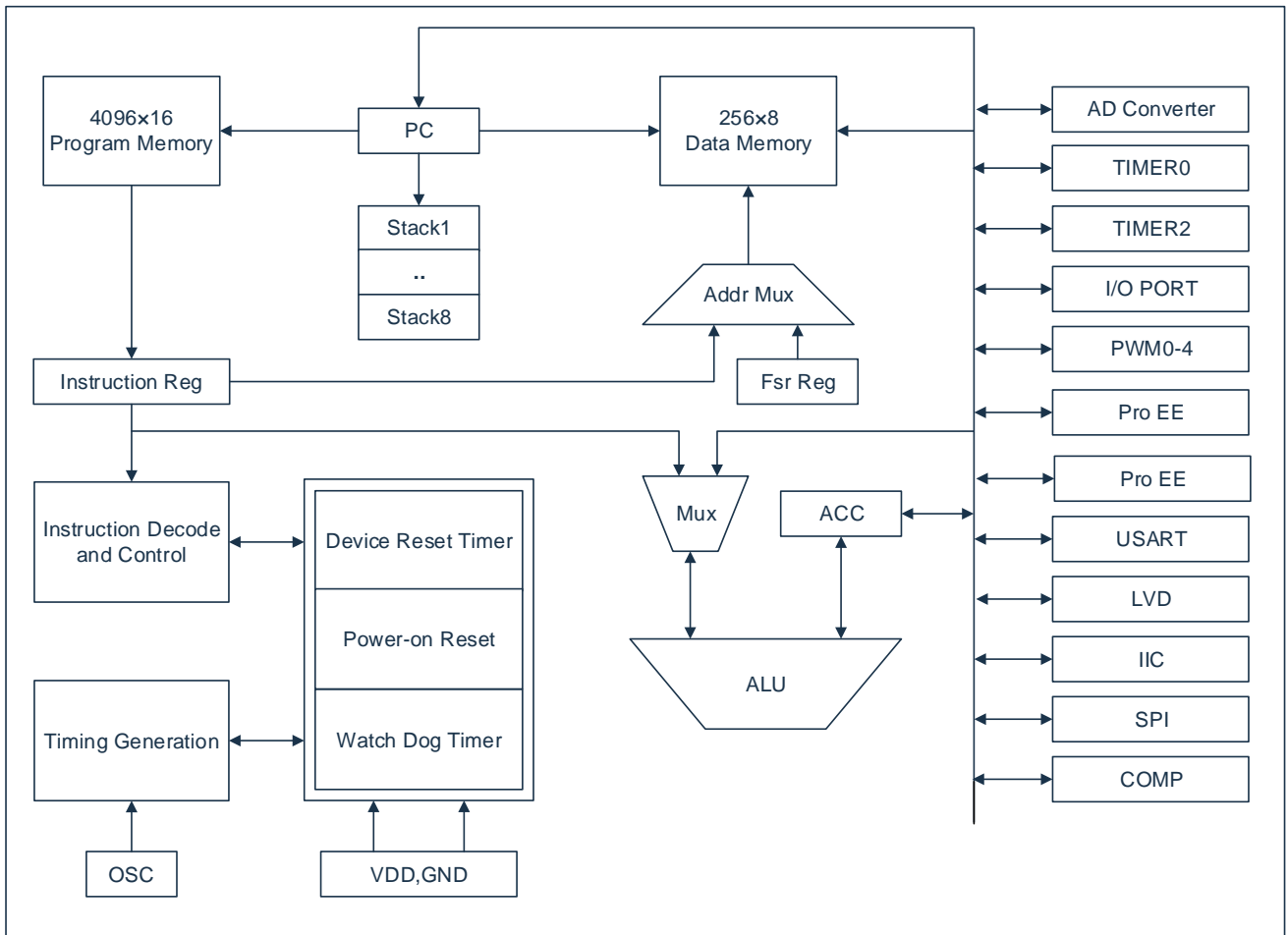
- ◆ Memory
 - ROM: 4Kx16bit
 - Universal RAM: 256x8bit
- ◆ 8 level stack buffer
- ◆ Clean instructions (66 instructions)
- ◆ Instructions period (single instruction or double instructions)
- ◆ Built-in low voltage detection circuit
- ◆ Built-in WDT timer
- ◆ Interrupt source
 - 2 timer interrupt
 - Interrupt for change in electrical level RA/RB/RC port
 - Other peripherals interrupt
- ◆ Timer
 - 8-bit timer: TIMER0, TIMER2
 - TIMER2 can select external 32.768kHz crystal oscillator as timer clock source
- ◆ - Built-in LVD mod
 - Choice of voltage: 2.2V/2.4V/2.7V/3.0V/3.3V/3.7V/4.0V/4.3V
- ◆ - Built-in 1 IIC communication mod
- ◆ - Built-in 1 SPI communication mod
- ◆ - COMP: 1 mod
- ◆ Working voltage: 1.8V~4.5V@16MHz
- Working temperature: -20°C~75°C
- ◆ Internal RC: design frequency of 8MHz/16MHz
- ◆ Built-in 128-byte EEPROM
- ◆ PWM mod with complementary outputs
 - 5 pwm channels which can be configured as 2 groups of complementary outputs
 - 4 PWM circuit with shared period and 1 PWM circuit with separated period, they are all independent duty cycles
- ◆ PGA: 1 mod
 - Internal optional magnification of 4/8/16
- ◆ Built-in 1 USART communication mod
 - Support synchronous master-slave mode and asynchronous full-duplex mode
 - Can be configured on RB4/RB3 or RA5/RA6
- ◆ High precision 12-bit ADC
 - Built-in high precision 1.2V reference voltage $\pm 1.5\%$ @VDD=1.8V~4.5V $T_A=25^\circ\text{C}$
 - $\pm 2\%$ @VDD=1.8V~4.5V $T_A=-20^\circ\text{C}\sim 75^\circ\text{C}$
 - Can choose internal reference: 1.2V/2V/2.4V
 - The fastest conversion rate is 250ksp/s
- ◆ Built-in 50mA constant current output
- ◆ Built-in touch button detection mod
- ◆ - Built-in 32-byte EEPROM
 - Can be rewritten over 10000 times

Product specification

PRODUCT	ROM	RAM	Pro EE	I/O	PWM	USART	IIC	SPI	PGA	Touch	ADC	PACKAGE
SC8F5771	4Kx16	256x8	128x8	8	5	0	1	0	1	0	8	MSOP10 DFN10
SC8F5773	4Kx16	256x8	128x8	18	5	1	1	1	1	8	18	TSSOP20
SC8F5775	4Kx16	256x8	128x8	16	5	1	1	1	1	0	16	QFN20
SC8F5776	4Kx16	256x8	128x8	19	5	1	1	1	1	0	18	QFN24/ SSOP24

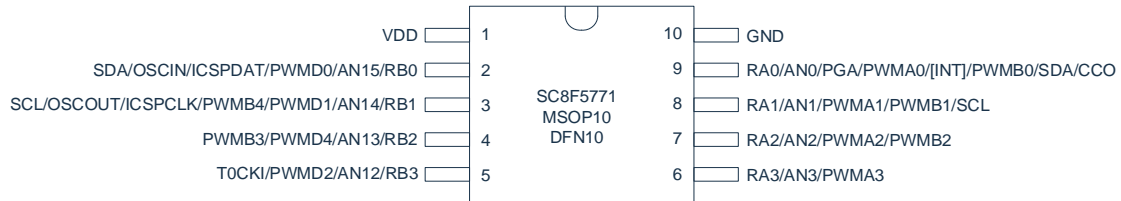
Note: ROM----program memory Pro EE----program EEPROM

1.2 System Structure Diagram

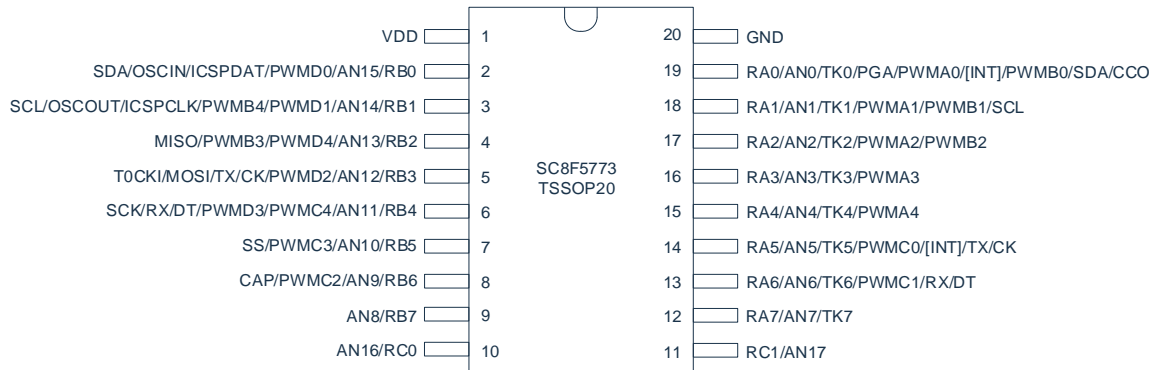


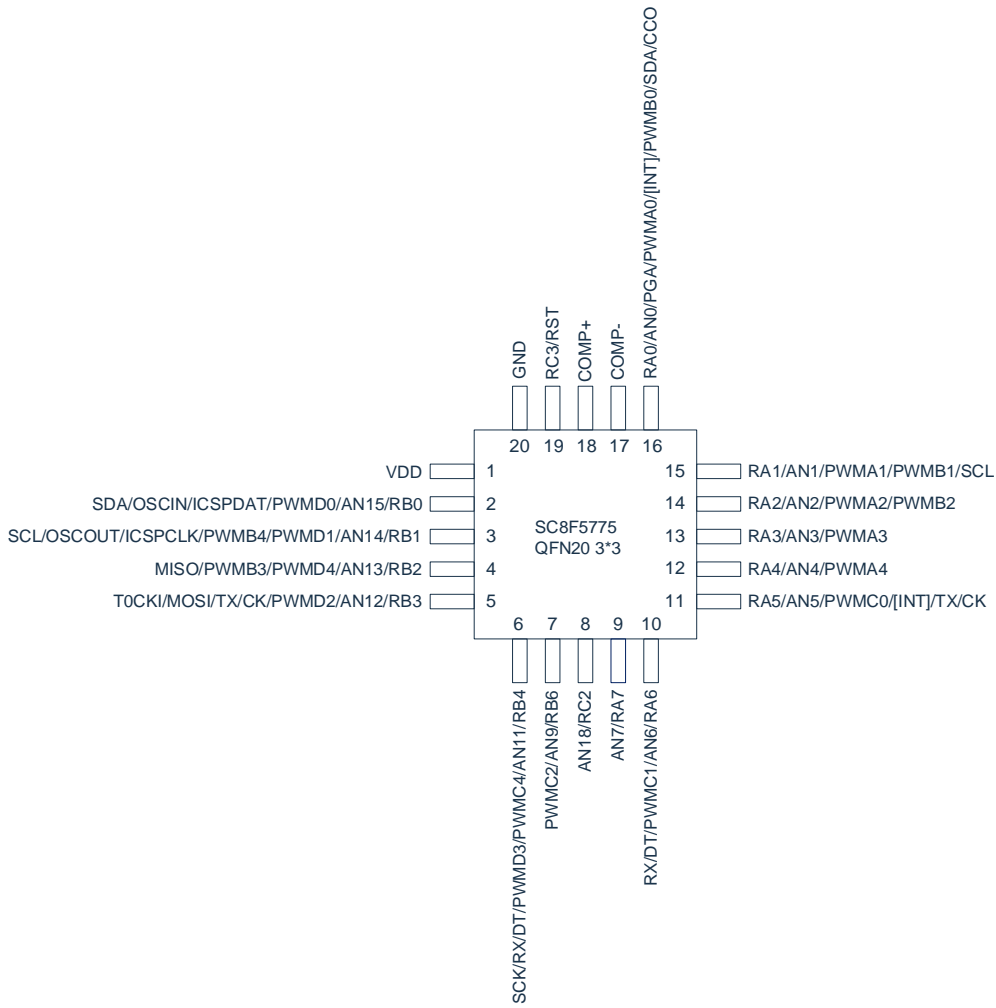
1.3 Pin Allocation

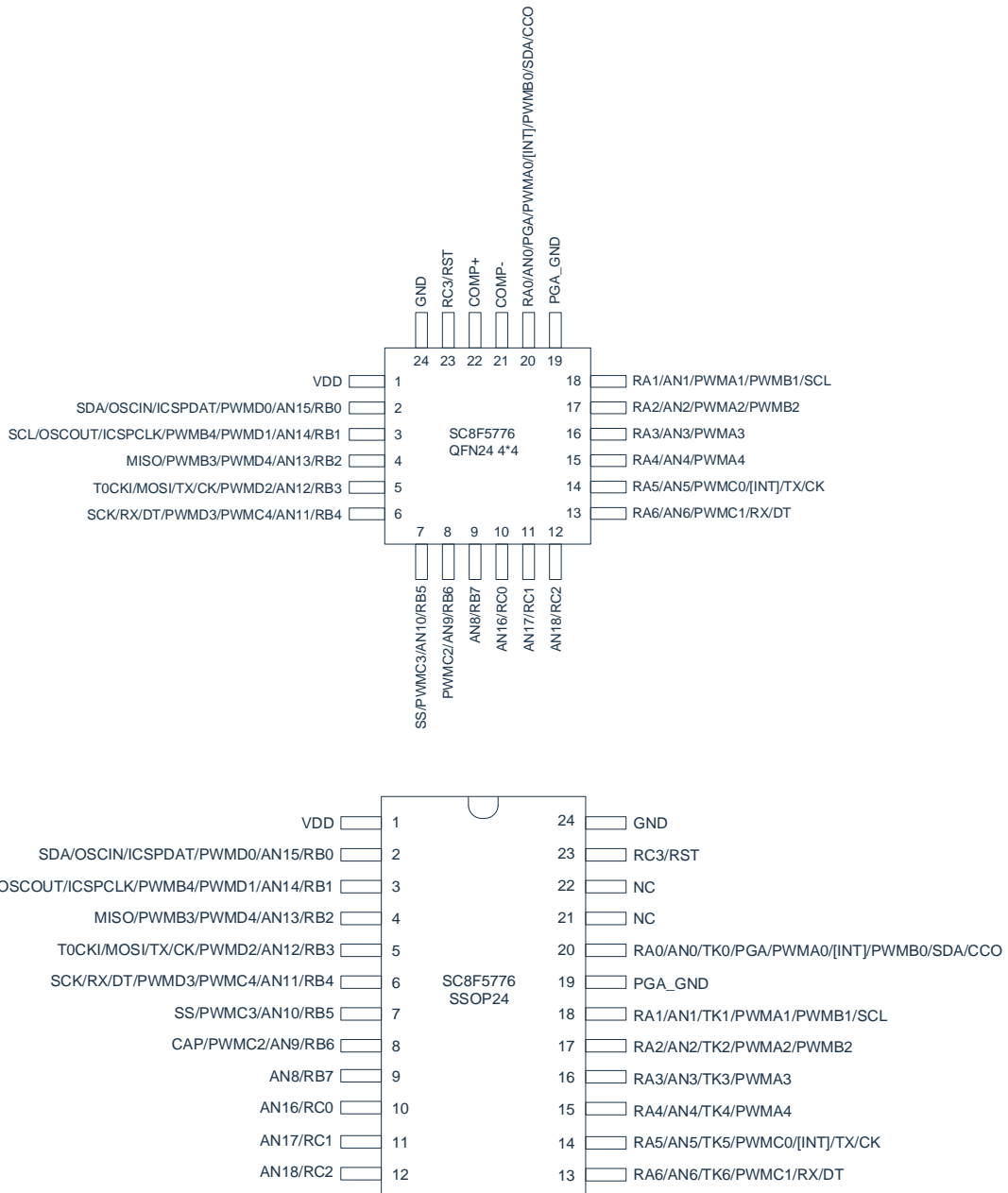
1.3.1 SC8F5771



1.3.2 SC8F5773



1.3.3 SC8F5775


1.3.4 SC8F5776


Note: the pins labeled NC is recommended to float, it may cause unnecessary leakage if connect to VDD or GND.

Pin description:

Pin name	IO type	description
VDD, GND	P	Voltage input pin and ground
OSCIN/OSCOUT	I/O	32.768KHz crystal oscillator input/output pin
RA0-RA7	I/O	Programmable in/push-pull out pin, with pull-up resistance, pull-down resistance, electrical level interrupt function
RB0-RB7	I/O	Programmable in/push-pull out pin, with pull-up resistance, pull-down resistance, electrical level interrupt function
RC0-RC3	I/O	Programmable in/push-pull out pin, with pull-up resistance, pull-down resistance, electrical level interrupt function
RST	I	Reset pin
ICSPCLK	I	Programmable input clock pin
ICSPDAT	I/O	Programmable data input/output pin
AN0-AN18	I	12-bit input ADC pin
TK0~TK6	I	Touch tunnel pin
CAP	I	Touch capacitive pin
PWM0-PWM4	O	PWM0-4 output function
PGA	I	Positive pin of PGA
PGA_GND	I	Negative pin of PGA
TX/CK	O	Asynchronous serial transmit pin /Synchronous serial clock input/output pin (can set to different IO)
RX/DT	I	Serial receive pin/ Synchronous serial data input/output pin (can set to different IO)
INT	I	External interrupt input pin
T0CKI	I	TIMER0 external clock input pin
SCL	I/O	IIC clock pin
SDA	I/O	IIC data pin
SCK	I/O	SPI clock pin
MISO	I/O	SPI master data input pin、 SPI slaver data output pin
MOSI	I/O	SPI master data output pin、 SPI slaver data input pin
SS	I	SPI slave select pin
CCO	O	Output pin of 50ma constant current
COMP+	I	Comparator input positive
COMP-	I	Comparator input negative

1.4 System Configuration Register

System configuration register (CONFIG) is the initial ROM choice of the MCU. It can only be burned by SC burner. User cannot visit. It includes the following:

1. OSC (choice of oscillation)
 - ◆ INTRC8M F_{HSI} choose internal 8MHz RC oscillation
 - ◆ INTRC16M F_{HSI} choose internal 16MHz RC oscillation
2. WDT (watchdog choice)
 - ◆ ENABLE Enable watchdog timer
 - ◆ DISABLE Disable watchdog timer
3. PROTECT (encryption)
 - ◆ DISABLE Disable FLASH code encryption
 - ◆ ENABLE Enable FLASH code encryption, after which the read value from burning the simulator is uncertain.
4. LVR_SEL (low voltage detection selection)
 - ◆ 1.8V
 - ◆ 2.0V
 - ◆ 2.5V
5. EXT_RESET (external reset port selection)
 - ◆ DISABLE Disable external reset function, and the RC3 as normal io port
 - ◆ ENABLE Enable external reset function, and the RC3 as external reset port
6. WDT_DIV (Pre-distribution coefficient control)
 - ◆ DISABLE Select WDT pre-distribution from 1 to 128 by OPTION_REG
 - ◆ ENABLE Select WDT pre-distribution from 3 to 384 by OPTION_REG
7. SLEEP_LVREN (LVR choice under sleep status)
 - ◆ DISABLE Disable LVR under sleep status
 - ◆ ENABLE Enable LVR under sleep status
8. USART_SEL (USART ports selection)
 - ◆ RB3/RB4
 - ◆ RA5/RA6
9. EXTINT_SEL (external interrupt choice)
 - ◆ RA0
 - ◆ RA5
10. IIC_SEL (IIC port selection)
 - ◆ RA0/RA1
 - ◆ RB0/RB1
11. SPI_DIO_SEL (SPI 3-wire mode DIO pin selection)
 - ◆ RB2
 - ◆ RB3
12. CAP_SEL (cap selection of internal oscillation)
 - ◆ None
 - ◆ 7pF

- ◆ 9pF
- ◆ 12pF

13. ICSPPORT_SEL (simulation port selection)

- ◆ ICSP ICSPCLK, DAT port keep as simulation port, all functions disabled
- ◆ NORMAL ICSPCLK, DAT port as normal port

1.5 Online Serial Programming

Can perform serial programming on MCU the final application circuit. Programming is done through the following:

- Power wire
- Ground wire
- Data wire
- Clock wire

This ensures users to use un-programmed devices to make circuit and only program the MCU just before the product being delivered. Therefore, the latest version of firmware can be burned into the MCU.

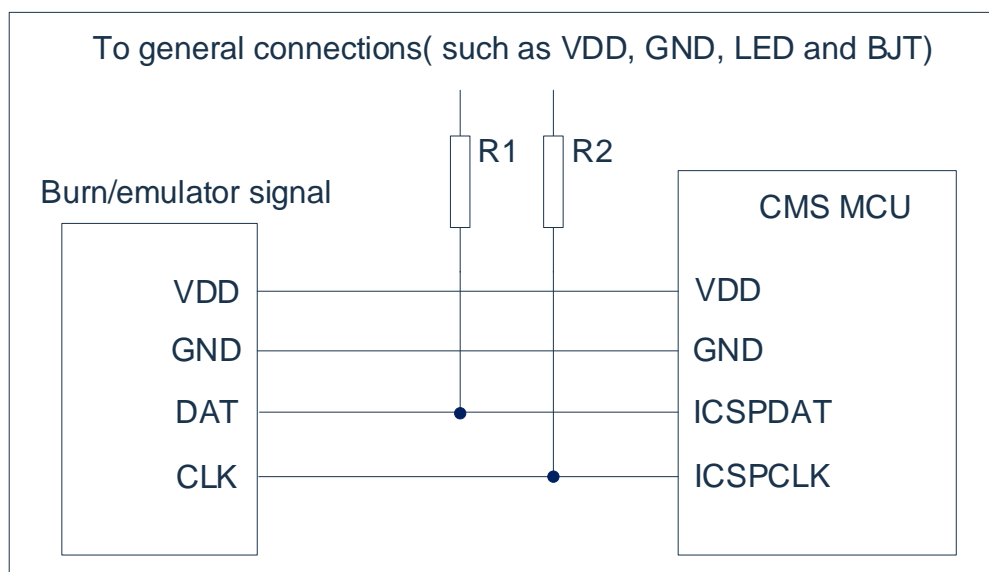


Fig 1-1: Typical connection for online serial programming

In the above figure, R1 and R2 are the electrical isolation devices, normally represented by resistor with the following resistance: $R1 \geq 4.7K$, $R2 \geq 4.7K$.

2. Central Processing Unit (CPU)

2.1 Memory

2.1.1 Program Memory

program memory space

FLASH:4K

000H	Reset Vector	Program start, jump to user program
001H		
002H		
003H		
004H	Interrupt vector	Interrupt entry, user interrupt program
...		User program area
...		
...		
FFDH		
FFEH		
FFFH	Jump to Reset Vector 000H	End of program

2.1.1.1 Reset Vector (0000H)

MCU has 1-byte long system reset vector (0000H). It has 3 ways to reset:

- ◆ Power-on reset
- ◆ Watchdog reset
- ◆ Low voltage reset (LVR)

When any above reset happens, program will start to execute from 0000H, system register will be recovered to default value. PD and TO from STATUS register can determine the which reset is performed from above. The following program illustrates how to define the reset vector from FLASH.

Example: define reset vector

	ORG	0000H	; system reset vector
	JP	START	
	ORG	0010H	; start of user program
START:			
	...		; user program
	...		
	END		; program end

2.1.1.2 Interrupt Vector

The address for interrupt vector is 0004H. Once the interrupt responds, the current value for program counter PC will be saved to stack buffer and jump to 0004H to execute interrupt service program. All interrupt will enter 0004H. User will determine which interrupt to execute according to the bit of register of interrupt flag bit. The following program illustrate how to write interrupt service program.

Example: define interrupt vector, interrupt program is placed after user program

```

                ORG      0000H          ; system reset vector
                JP       START
                ORG      0004H          ; start of user program
INT_START:
                CALL     PUSH           ; save ACC and STATUS
                ...
                ...
                ...
INT_BACK:
                CALL     POP            ; back to ACC and STATUS
                RETI          ; interrupt back
                START:
                ...
                ...
                END          ; program end
    
```

Note: MCU does not provide specific unstack and push instructions, so user needs to protect interrupt scene.

Example: interrupt-in protection

```

                PUSH:
                LD        ACC_BAK, A    ; save ACC to ACC_BAK
                SWAPA     STATUS        ; swap half-byte of STATUS
                LD        STATUS_BAK, A ; save to STATUS_BAK
                RET
    
```

Example: interrupt-out restore

```

                POP:
                SWAPA     STATUS_BAK    ; swap the half-byte data from STATUS_BAK to ACC
                LD        STATUS, A     ; pass the value in ACC to STATUS
                SWAPR     ACC_BAK       ; swap the half-byte data in ACC_BAK
                SWAPA     ACC_BAK       ; swap the half-byte data from ACC_BAK to ACC
                RET
    
```

2.1.1.3 Jump Table

Jump table can achieve multi-address jump feature. Since the addition of PCL and ACC is the new value of PCL, multi-address jump is then achieved through adding different value of ACC to PCL. If the value of ACC is n, then PCL+ACC represent the current address plus n. After the execution of the current instructions, the value of PCL will add 1 (refer to the following examples). If PCL+ACC overflows, then PC will not carry. As such, user can achieve multi-address jump through setting different values of ACC.

PCLATH is the PC high bit buffer register. Before operating on PCL, value must be given to PCLATH.

Example: correct illustration of multi-address jump

FLASH address			
	LDIA	01H	
	LD	PCLATH, A	;must give value to PCLATH
	...		
0110H:	ADDR	PCL	;ACC+PCL
0111H:	JP	LOOP1	;ACC=0, jump to LOOP1
0112H:	JP	LOOP2	;ACC=1, jump to LOOP2
0113H:	JP	LOOP3	;ACC=2, jump to LOOP3
0114H:	JP	LOOP4	;ACC=3, jump to LOOP4
0115H:	JP	LOOP5	;ACC=4, jump to LOOP5
0116H:	JP	LOOP6	;ACC=5, jump to LOOP6

Example: wrong illustration of multi-address jump

FLASH address			
	CLR	PCLATH	
	...		
00FCH:	ADDR	PCL	;ACC+PCL
00FDH:	JP	LOOP1	;ACC=0, jump to LOOP1
00FEH:	JP	LOOP2	;ACC=1, jump to LOOP2
00FFH:	JP	LOOP3	;ACC=2, jump to LOOP3
0100H:	JP	LOOP4	;ACC=3, jump to 0000H address
0101H:	JP	LOOP5	;ACC=4, jump to 0001H address
0102H:	JP	LOOP6	;ACC=5, jump to 0002H address

Note: Since PCL overflow will not carry to the higher bits, the program cannot be placed at the partition of the FLASH space when using PCL to achieve multi-address jump.

2.1.2 Data Memory

List of data memory

address		address		address		address	
INDF	00H	INDF	80H	INDF	100H	INDF	180H
TMR0	01H	OPTION_REG	81H	----	101H	----	181H
PCL	02H	PCL	82H	PCL	102H	PCL	182H
STATUS	03H	STATUS	83H	STATUS	103H	STATUS	183H
FSR	04H	FSR	84H	FSR	104H	FSR	184H
PORTA	05H	TRISA	85H	----	105H	----	185H
PORTB	06H	TRISB	86H	----	106H	----	186H
WPUA	07H	WPDB	87H	PIR2	107H	----	187H
WPUB	08H	OSCCON	88H	PIE2	108H	----	188H
IOCB	09H	----	89H	IICADD	109H	----	189H
PCLATH	0AH	PCLATH	8AH	PCLATH	10AH	PCLATH	18AH
INTCON	0BH	INTCON	8BH	INTCON	10BH	INTCON	18BH
PIR1	0CH	EECON1	8CH	IICCON	10CH	KEYCON0	18CH
PIE1	0DH	EECON2	8DH	IICCON2	10DH	KEYCON1	18DH
PWMD23H	0EH	EEDAT	8EH	IICBUF	10EH	KEYCON2	18EH
PWM01DT	0FH	EEDATH	8FH	IICSTAT	10FH	----	18FH
PWM23DT	10H	EEADR	90H	ANSEL0	110H	KEYDATL	190H
TMR2	11H	PR2	91H	ANSEL1	111H	KEYDATH	191H
T2CON	12H	PORTC	92H	ANSEL2	112H	----	192H
PWMCON0	13H	TRISC	93H	----	113H	----	193H
PWMCON1	14H	IOCC	94H	----	114H	----	194H
PWMTL	15H	IOCA	95H	COMPCON	115H	----	195H
PWMTH	16H	EEADRH	96H	----	116H	----	196H
PWMD0L	17H	WPDA	97H	TXSTA	117H	----	197H
PWMD1L	18H	WPDC	98H	RCSTA	118H	----	198H
PWMD2L	19H	WPUC	99H	SPBRG	119H	----	199H
PWMD3L	1AH	PGACON	9AH	TXREG	11AH	----	19AH
PWMD4L	1BH	ECIGCON	9BH	RCREG	11BH	----	19BH
PWMD01H	1CH	ADCON1	9CH	SPIBUF	11CH	----	19CH
PWMCON2	1DH	ADCON0	9DH	SPICON	11DH	----	19DH
PWM4TL	1EH	ADRESH	9EH	SPICON2	11EH	----	19EH
----	1FH	ADRESL	9FH	LVDCON	11FH	----	19FH
Universal register 96 byte	20H	Universal register 80 byte	A0H	Universal register 80 byte	120H	----	1A0H
	6FH		EFH		16FH		1EFH
	70H	Fast memory space 70H-7FH	F0H	Fast memory space 70H-7FH	170H	Fast memory space 70H-7FH	1F0H
	--		--		--		--
	7FH		FFH		17FH		1FFH
BANK0		BANK1		BANK2		BANK3	

Data memory consists of 512×8 bits. It can be divided into two space: special function register and universal data memory. Most of data memory are able to write/read data, only some data memory is read-only. Special register address is from 00H-1FH, 80-9FH, 100-11FH, 180-19FH.

Summary of special registers in Bank0

Address	Name	Bit7	Bit6	Bit5	Bit4	Bit3	Bit2	Bit1	Bit0	Reset value
00H	INDF	Look-up for this unit will use FSR, not physical register.								xxxxxxx
01H	TMR0	TIMER0 data register								xxxxxxx
02H	PCL	Lower bit of program counter								0000000
03H	STATUS	IRP	RP1	RP0	TO	PD	Z	DC	C	00011xxx
04H	FSR	memory pointers for indirect addressing of data memory								xxxxxxx
05H	PORTA	RA7	RA6	RA5	RA4	RA3	RA2	RA1	RA0	xxxxxxx
06H	PORTB	RB7	RB6	RB5	RB4	RB3	RB2	RB1	RB0	xxxxxxx
07H	WPUA	WPUA7	WPUA6	WPUA5	WPUA4	WPUA3	WPUA2	WPUA1	WPUA0	0000000
08H	WPUB	WPUB7	WPUB6	WPUB5	WPUB4	WPUB3	WPUB2	WPUB1	WPUB0	0000000
09H	IOCB	IOCB7	IOCB6	IOCB5	IOCB4	IOCB3	IOCB2	IOCB1	IOCB0	0000000
0AH	PCLATH	----	----	----	----	Write buffer of higher 4 bits of program counter				----0000
0BH	INTCON	GIE	PEIE	T0IE	INTE	RBIE	T0IF	INTF	RBIF	0000000
0CH	PIR1	----	EEIF	RCIF	TXIF	SPIIF	PWMIF	TMR2IF	ADIF	0000000
0DH	PIE1	----	EEIE	RCIE	TXIE	SPIIE	PWMIE	TMR2IE	ADIE	0000000
0EH	PWMD23H	----	----	PWMD3[9:8]		----	----	PWMD2[9:8]		--00--00
0FH	PWM01DT	----	----	PWM01 dead-time						--00000
10H	PWM23DT	----	----	PWM23 dead-time						--00000
11H	TMR2	TIMER2 mod register								0000000
12H	T2CON	CLK_SEL	TOUTPS3	TOUTPS2	TOUTPS1	TOUTPS0	TMR2ON	T2CKPS1	T2CKPS0	0000000
13H	PWMCON0	CLKDIV[2:0]			PWM4EN	PWM3EN	PWM2EN	PWM1EN	PWM0EN	0000000
14H	PWMCON1	----	----	PWM2DTEN	PWM0DTEN	----	----	DT_DIV[1:0]		0000--00
15H	PWMTL	Lower bit of PWM period register								0000000
16H	PWMTH	----	----	PWMD4[9:8]		PWM4T9	PWM4T8	PWMT9	PWMT8	--00000
17H	PWMD0L	Lower bit of PWM0 duty register								0000000
18H	PWMD1L	Lower bit of PWM1 duty register								0000000
19H	PWMD2L	Lower bit of PWM2 duty register								0000000
1AH	PWMD3L	Lower bit of PWM3 duty register								0000000
1BH	PWMD4L	Lower bit of PWM4 duty register								0000000
1CH	PWMD01H	----	----	PWMD1[9:8]		----	----	PWMD0[9:8]		--00--00
1DH	PWMCON2	----	----	----	PWM4DIR	PWM3DIR	PWM2DIR	PWM1DIR	PWM0DIR	0--00000
1EH	PWM4TL	Lower bit of PWM4 period register								0000000

Summary of special registers in Bank1

Address	Name	Bit7	Bit6	Bit5	Bit4	Bit3	Bit2	Bit1	Bit0	Reset value
80H	INDF	Look-up for this unit will use FSR, not physical register.								xxxxxxx
81H	OPTION_REG	----	INTEDG	T0CS	T0SE	PSA	PS2	PS1	PS0	-1111011
82H	PCL	Lower bit of program counter								00000000
83H	STATUS	IRP	RP1	RP0	TO	PD	Z	DC	C	00011xxx
84H	FSR	memory pointers for indirect addressing of data memory								xxxxxxx
85H	TRISA	TRISA7	TRISA6	TRISA5	TRISA4	TRISA3	TRISA2	TRISA1	TRISA0	11111111
86H	TRISB	TRISB7	TRISB6	TRISB5	TRISB4	TRISB3	TRISB2	TRISB1	TRISB0	11111111
87H	TRISC	WPDB7	WPDB6	WPDB5	WPDB4	WPDB3	WPDB2	WPDB1	WPDB0	00000000
88H	OSCCON	----	IRCF2	IRCF1	IRCF0	----	----	SWDTEN	----	-101-0-
8AH	PCLATH	----	----	----	----	Write buffer of higher 4 bits of program counter				----0000
8BH	INTCON	GIE	PEIE	T01E	INTE	RBIE	T0IF	INTF	RBIF	00000000
8CH	EECON1	EEPGD	----	----	EETIME	WRERR	WREN	WR	RD	0-0x000
8DH	EECON2	EEPROM control register2 (not physical register)								-----
8EH	EEDAT	EEDAT7	EEDAT6	EEDAT5	EEDAT4	EEDAT3	EEDAT2	EEDAT1	EEDAT0	xxxxxxx
8FH	EEDATH	EEDATH7	EEDATH6	EEDATH5	EEDATH4	EEDATH3	EEDATH2	EEDATH1	EEDATH0	xxxxxxx
90H	EEADR	EEADR7	EEADR6	EEADR5	EEADR4	EEADR3	EEADR2	EEADR1	EEADR0	00000000
91H	PR2	TIMER2 period register								11111111
92H	PORTC	----	----	----	----	RC3	RC2	RC1	RC0	----xxxx
93H	TRISC	----	----	----	----	TRISC3	TRISC2	TRISC1	TRISC0	----1111
94H	IOCC	----	----	----	----	IOCC3	IOCC2	IOCC1	IOCC0	----0000
95H	IOCA	IOCA7	IOCA6	IOCA5	IOCA4	IOCA3	IOCA2	IOCA1	IOCA0	00000000
96H	EEADRH	----	----	----	----	EEADRH3	EEADRH2	EEADRH1	EEADRH0	----0000
97H	WPDA	WPDA7	WPDA6	WPDA5	WPDA4	WPDA3	WPDA2	WPDA1	WPDA0	00000000
98H	WPDC	----	----	----	----	WPDC3	WPDC2	WPDC1	WPDC0	----0000
99H	WPUC	----	----	----	----	WPUC3	WPUC2	WPUC1	WPUC0	----0000
9AH	PGACON	PGAEN	PGACH	----	----	----	----	GAIN1	GAIN0	00----00
9BH	ECIGCON	ECIGEN	----	ECIGADJ5	ECIGADJ4	ECIGADJ3	ECIGADJ2	ECIGADJ1	ECIGADJ0	0-00000
9CH	ADCON1	ADFM	CHS4	ADCS2	----	----	LDO_EN	LDO_SEL[1:0]		00---000
9DH	ADCON0	ADCS1	ADCS0	CHS3	CHS2	CHS1	CHS0	GO/DONE	ADON	00000000
9EH	ADRESH	Higher bit of A/D result register								xxxxxxx
9FH	ADRESL	Lower bit of A/D result register								xxxxxxx

Summary of special registers in Bank2

address	name	Bit7	Bit6	Bit5	Bit4	Bit3	Bit2	Bit1	Bit0	Reset value
100H	INDF	Look-up for this unit will use FSR , not physical register.								xxxxxxx
102H	PCL	Lower bit of program counter (PC)								00000000
103H	STATUS	IRP	RP1	RP0	TO	PD	Z	DC	C	00011xxx
104H	FSR	memory pointers for indirect addressing of data memory								xxxxxxx
107H	PIR2	----	TKIF	COMPIF	IICIF	BCLIF	RCCIF	RACIF	LVDIF	---00---
108H	PIE2	----	TKIE	COMPIE	IICIE	BCLIE	RCCIE	RACIE	LVDIE	---00---
109H	IICADD	IIC address/baud rate register								00000000
10AH	PCLATH	----	----	----	----	Write buffer of higher 4 bits of program counter				----0000
10BH	INTCON	GIE	PEIE	T01E	INTE	RBIE	T0IF	INTF	RBIF	00000000
10CH	IICCON	IICWCOL	SSPOV	IICEN	IICCKP	----	----	IICM1	IICM0	0001--00
10DH	IICCON2	GCEN	ACKSTAT	ACKDT	ACKEN	RCEN	PEN	RSEN	SEN	00000000
10EH	IICBUF	IIC receive buffer /transmit register								xxxxxxx
10FH	IICSTAT	----	IDLE	D/A	P	S	R/W	----	BF	-00000-0
110H	ANSEL0	ANS7	ANS6	ANS5	ANS4	ANS3	ANS2	ANS1	ANS0	00000000
111H	ANSEL1	ANS15	ANS14	ANS13	ANS12	ANS11	ANS10	ANS9	ANS8	00000000
112H	ANSEL2	----	----	----	----	----	ANS18	ANS17	ANS16	----000
115H	COMPCON	COMPEN	COMPRES	INT_SEL	----	----	----	ILIM1	ILIM0	000---00
117H	TXSTA	CSRC	TX9EN	TXEN	SYNC	SCKP	STOPBIT	TRMT	TX9D	00000010
118H	RCSTA	SPEN	RX9EN	SREN	CREN	RCIDL	FERR	OERR	RX9D	00001000
119H	SPBRG	USART baud rate register								00000000
11AH	TXREG	USART transmit data register								00000000
11BH	RCREG	USART receive data register								xxxxxxx
11CH	SPIBUF	SPI receive buffer /transmit register								xxxxxxx
11DH	SPICON	SPIWCOL	SPIOV	SPIEN	SPICKP	SPIM3	SPIM2	SPIM1	SPIM0	00000000
11EH	SPICON2	----	CKE	MODE	----	----	----	----	SPIBF	-00----0
11FH	LVDCON	LVD_RES	----	----	----	LVD_SEL2	LVD_SEL1	LVD_SEL0	LVDEN	00---0000

Summary of special registers in Bank3

Address	Name	Bit7	Bit6	Bit5	Bit4	Bit3	Bit2	Bit1	Bit0	Reset value
180H	INDF	Look-up for this unit will use FSR , not physical register.								xxxxxxx
182H	PCL	Lower bit of program counter (PC)								00000000
183H	STATUS	IRP	RP1	RP0	TO	PD	Z	DC	C	00011xxx
184H	FSR	memory pointers for indirect addressing of data memory								xxxxxxx
185H	PORTC	----	----	----	----	----	----	RC1	RC0	-----xx
186H	TRISC	----	----	----	----	----	----	TRISC1	TRISC0	-----11
187H	IOCC	----	----	----	----	----	----	IOCC1	IOCC0	-----00
188H	IOCA	IOCA7	IOCA6	IOCA5	IOCA4	IOCA3	IOCA2	IOCA1	IOCA0	00000000
18AH	PCLATH	----	----	----	----	Write buffer of higher 4 bits of program counter				----0000
18BH	INTCON	GIE	PEIE	T01E	INTE	RBIE	TOIF	INTF	RBIF	00000000
18CH	PWMIOS0	----	PWM1IOS[2:0]			----	PWM0IOS[2:0]			-000-000
18DH	PWMIOS1	----	PWM3IOS[2:0]			----	PWM2IOS[2:0]			-000-000
18EH	PWMIOS2	----	----	----	----	----	PWM4IOS[2:0]			----000
18FH	LCDCON	LCDEN	FRAME	BIAS	----	----	----	LCDISLE[1:0]		000---00
190H	CSSEL0	CS7SEL	CS6SEL	CS5SEL	CS4SEL	CS3SEL	CS2SEL	CS1SEL	CS0SEL	00000000
191H	CSSEL1	CS15SEL	CS14SEL	CS13SEL	CS12SEL	CS11SEL	CS10SEL	CS9SEL	CS8SEL	00000000
192H	CSSEL2	----	----	----	----	----	----	CS17SEL	CS16SEL	-----00
193H	CSEN0	CS7EN	CS6EN	CS5EN	CS4EN	CS3EN	CS2EN	CS1EN	CS0EN	00000000
194H	CSEN1	CS15EN	CS14EN	CS13EN	CS12EN	CS11EN	CS10EN	CS9EN	CS8EN	00000000
195H	CSEN2	----	----	----	----	----	----	CS17EN	CS16EN	-----00
196H	TABLE_SPL	lower 8 bits address in the table								xxxxxxx
197H	TABLE_SPH	----	----	----	----	high 4 bits address in the table				----xxx
198H	TABLE_DATAH	high 8 bits data in the table								xxxxxxx
199H	TMR1L	Lower bit of 16-bit TIMER1 data register								xxxxxxx
19AH	TMR1H	Higher bit of 16-bit TIMER1 data register								xxxxxxx
19BH	T1CON	T1GINV	TMR1GE	T1CKPS1	T1CKPS0	T0OSCEN	T1SYNC	TMR1CS	TMR1ON	00000000

2.2 Addressing Mode

2.2.1 Direct Addressing

Operate on RAM through accumulator (ACC)

Example: pass the value in ACC to 30H register

LD	30H, A
----	--------

Example: pass the value in 30H register to ACC

LD	A, 30H
----	--------

2.2.2 Immediate Addressing

Pass the immediate value to accumulator (ACC).

Example: pass immediate value 12H to ACC

LDIA	12H
------	-----

2.2.3 Indirect Addressing

Data memory can be direct or indirect addressing. Direct addressing can be achieved through INDF register, INDF is not physical register. When load/save value in INDF, address is the value in FSR register (lower 8 bits) and IRP bit in STATUS register (9th bit), and point to the register of this address. Therefore, after setting the FSR register and the IRP bit of STATUS register, INDF register can be regarded as purpose register. Read INDF (FSR=0) indirectly will produce 00H. Write INDF register indirectly will cause an empty action. The following example shows how indirect addressing works.

Example: application of FSR and INDF

LDIA	30H	
LD	FSR, A	;Points to 30H for indirect addressing
CLRB	STATUS, IRP	;clear the 9 th bit of pointer
CLR	INDF	;clear INDF, which mean clear the 30H address RAM that FSR points to

Example: clear RAM (20H-7FH) for indirect addressing:

LDIA	1FH	
LD	FSR, A	;Points to 1FH for indirect addressing
CLRB	STATUS, IRP	
LOOP:		
INCR	FSR	;address add 1, initial address is 30H
CLR	INDF	;clear the address where FSR points to
LDIA	7FH	
SUBA	FSR	
SNZB	STATUS, C	;clear until the address of FSR is 7FH
JP	LOOP	

2.3 Stack

Stack buffer of the chip has 8 levels. Stack buffer is not part of data memory nor program memory. It cannot be written nor read. Operation on stack buffer is through stack pointers, which also cannot be written nor read. After system resets, SP points to the top of the stack. When sub-program happens or interrupts happens, value in program counter (PC) will be transferred to stack buffer. When return from interrupt or return from sub-program, value is transferred back to PC. The following diagram illustrates its working principle.

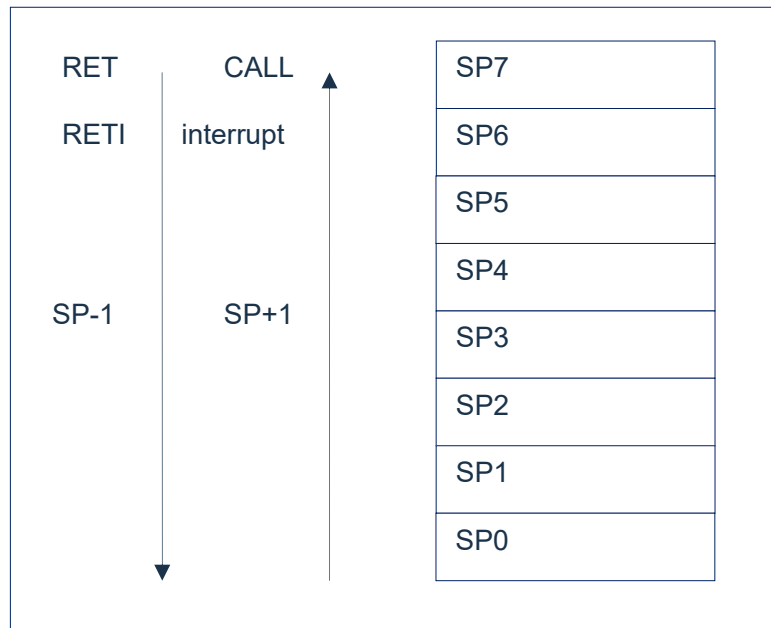


Fig 2-2: stack buffer working principle

Stack buffer will follow one principle: 'first in last out'

Note: stack buffer has only 8 levels, if the stack is full and interrupt happens which cannot be screened out, then only the indication bit of the interrupt will be noted down. The response for the interrupt will be suppressed until the pointer of stack starts to decrease. This feature can prevent overflow of the stack caused by interrupt. Similarly, when stack is full and sub-program happens, then stack will overflow and the contents which enter the stack first will be lost, only the last 8 return address will be saved.

2.4 Accumulator (ACC)

2.4.1 General

ALU is the 8-bit arithmetic-logic unit. All math and logic related calculations in MCU are done by ALU. It can perform addition, subtraction, shift and logical calculation on data; ALU can also control STATUS to represent the status of the product of the calculation.

ACC register is an 8-bit register to store the product of calculation of ALU. It does not belong to data memory. It is in CPU and used by ALU during calculation. Hence it cannot be addressed. It can only be used through the instructions provided.

2.4.2 ACC Applications

Example: use ACC for data transfer

LD	A, R01	;pass the value in register R01 to ACC
LD	R02, A	;pass the value in ACC to register R02

Example: use ACC for immediate addressing

LDIA	30H	;load the ACC as 30H
ANDIA	30H	;run 'AND' between value in ACC and immediate number 30H, save the result in ACC
XORIA	30H	; run 'XOR' between value in ACC and immediate number 30H, save the result in ACC

Example: use ACC as the first operand of the double operand instructions

HSUBA	R01	;ACC-R01, save the result in ACC
HSUBR	R01	;ACC-R01, save the result in R01

Example: use ACC as the second operand of the double operand instructions

SUBA	R01	;R01-ACC, save the result in ACC
SUBR	R01	; R01-ACC, save the result in R01

2.5 Program Status Register (STATUS)

STATUS register includes:

- ◆ status of ALU.
- ◆ Reset status.
- ◆ Selection bit of Data memory (GPR and SFR)

Just like other registers, STATUS register can be the target register of any other instruction. If an instruction that affects Z, DC or C bit that use STATUS as target register, then it cannot write on these 3 status bits. These bits are cleared or set to 1 according to device logic. TO and PD bit also cannot be written. Hence the instructions which use STATUS as target instruction may not result in what is predicted.

For example, CLRSTATUS will clear higher 3 bits and set the Z bit to 1. Hence the value of STATUS will be 000u u1uu (u will not change.). Hence, it is recommended to only use CLRB, SETB, SWAPA and SWAPR instructions to change STATUS register because these will not affect any status bits.

program status register STATUS (03H)

03H	Bit7	Bit6	Bit5	Bit4	Bit3	Bit2	Bit1	Bit0
STATUS	IRP	RP1	RP0	TO	PD	Z	DC	C
Read/write	R/W	R/W	R/W	R/W	R/W	R/W	R/W	R/W
Reset value	0	0	0	1	1	X	X	X

Bit7	IRP: Selection bit of register memory (for indirect addressing) 1= Bank2 and Bank3 (100h-1FFh); 0= Bank0 and Bank1 (00h-FFh).
Bit6~Bit5	RP [1:0]: Selection bit of memory; 00: Select Bank 0; 01: Select Bank 1; 10: Select Bank 2; 11: Select Bank 3.
Bit4	TO: Time out bit; 1= Power on or CLRWDT instructions or STOP instructions; 0= WDT time out.
Bit3	PD: Power down; 1= Power on or CLRWDT instructions; 0= STOP instructions.
Bit2	Z: Bit for result in zero; 1= Result is 0; 0= Result is not 0
Bit1	DC: Carry bit; 1= When carry happens to higher bits or no borrow happens in Lower 4 bits in the result; 0= When no carry happens to higher bits or borrow happens in Lower 4 bits in the result.
Bit0	C: Carry/borrow bit ; 1= When carry happens at the highest bit or no borrow happens; 0= When no carry happens at the highest bit or borrow happens

TO and PD bit can reflect the reason for reset of chip. The following is the events which affects the TO and PD and the status of TO and PD after these events.

events	TO	PD
Power on	1	1
WDT overflow	0	X
STOP instructions	1	0
CLRWDT instructions	1	1
sleep	1	0

Events which affect TO/PD

TO	PD	Reset reason
0	0	WDT overflow awaken MCU
0	1	WDT overflow non-sleep status
1	1	Power on

TO/PD status after reset

2.6 Pre-scaler (OPTION_REG)

OPTION_REG register can be read or written. Each control bit for configuration is as follow:

- ◆ TIMER0/WDT pre-scaler
- ◆ TIMER0

pre-scaler OPTION_REG (81H)

81H	Bit7	Bit6	Bit5	Bit4	Bit3	Bit2	Bit1	Bit0
OPTION_REG	---	INTEDG	T0CS	T0SE	PSA	PS2	PS1	PS0
Read/write	---	R/W	R/W	R/W	R/W	R/W	R/W	R/W
Reset value	---	1	1	1	1	0	1	1

Bit7	Not used							
Bit6	INTEDG:	Edge selection bit for triggering interrupt						
	1=	INT pin rising edge triggered interrupt						
	0=	INT pin falling edge triggered interrupt						
Bit5	T0CS:	Selection bit for TIMER0 clock source.						
	0=	Internal instructions period clock (F_{CPU}).						
	1=	transition edge on T0CKI pin						
Bit4	T0SE:	Edge selection bit for TIMER0 clock source						
	0=	Increase when T0CKI pin signal transited from low to high						
	1=	Increase when T0CKI pin signal transited from high to low						
Bit3	PSA:	pre-scaler allocation						
	0=	pre-scaler allocates to TIMER0 mod						
	1=	pre-scaler allocates to WDT						
Bit2~Bit0	PS2~PS0:	configuration bit for pre-allocation parameters.						
		PS2	PS1	PS0	TMR0 frequency ratio	WDT frequency ratio (WDT_DIV=DISABLE)	WDT frequency ratio (WDT_DIV=ENABLE)	
		0	0	0	1:2	1:1	1:3	
		0	0	1	1:4	1:2	1:6	
		0	1	0	1:8	1:4	1:12	
		0	1	1	1:16	1:8	1:24	
		1	0	0	1:32	1:16	1:48	
		1	0	1	1:64	1:32	1:96	
		1	1	0	1:128	1:64	1:192	
		1	1	1	1:256	1:128	1:384	

Pre-scaler register is an 8-bit counter. When surveil on register WDT, it is a post scaler; when it is used as timer or counter, it is called pre-scaler. There is only 1 physical scaler and can only be used for WDT or TIMER0, but not at the same time. This means that if it is used for TIMER0, the WDT cannot use pre-scaler and vice versa.

When used for WDT, CLRWDT instructions will clear pre-scaler and WDT timer

When used for TIMER0, all instruction related to writing TIMER0 (such as : CLR TMR0, SETB TMR0, 1 .etc.)will clear pre-scaler.

Whether TIMER0 or WDT uses pre-scaler is full controlled by software. This can be changed dynamically. To avoid unintended chip reset, when switch from TIMER0 to WDT, the following instructions should be executed.

CLRB	INTCON, GIE	; Disable enable bit for interrupt to avoid entering interrupt during the following time series
LDIA	B'00000111'	
ORR	OPTION_REG, A	; set pre-scaler as its max value
CLR	TMR0	; clear TMR0
SETB	OPTION_REG, PSA	; set pre-scaler to allocate to WDT
CLRWDWT		; clear WDT
LDIA	B'xxx1xxx'	; set new pre-scaler
LD	OPTION_REG, A	
CLRWDWT		; clear WDT
SETB	INTCON, GIE	; when interrupt is needed, enable bit is turned on here

When switch from WDT to TIMER0 mod, the following instructions should be executed.

CLRWDWT		;clear WDT
LDIA	B'00xx0xxx'	;set new pre-scaler
LD	OPTION_REG, A	

Note: in order for TIMER0 to have 1:1 pre-scaling, pre-scaler can be allocated to WDT through PSA position 1 of selection register.

2.7 Program Counter (PC)

program counter (PC) controls the instruction sequence in program memory FLASH, it can address in the whole range of FLASH. After obtaining instruction code, PC will increase by 1 and point to the address of the next instruction code. When executing jump, passing value to PCL, sub-program, initializing reset, interrupt, interrupt return, sub-program returns and other actions, PC will load the address which is related to the instruction, rather than the address of the next instruction.

When encountering condition jump instructions and the condition is met, the instruction read during the current instruction will be discarded and an empty instruction period will be inserted. After this, the correct instruction can be obtained. If not, the next instruction will follow the order.

Program counter (PC) is 12 Bit, user can access lower 8 bits through PCL (02H). The higher 4 bits cannot be accessed. It can hold address for 4K×16Bit program. Passing a value to PCL will cause a short jump which range until the 256 address of the current page.

Note: When using PCL for short jump, it is needed to pass some value to PCLATH

The following are the value of PC under special conditions.

reset	PC=0000;
interrupt	PC=0004 (original PC+1 will be add to stack automatically);
CALL	PC=program defined address (original PC+1 will be add to stack automatically);
RET、 RETI、 RET i	PC=value coming out from stack;
Operating on PCL	PC[11:8] unchanged, PC[7:0]=user defined value;
JP	PC=program defined value;
Other instructions	PC=PC+1;

2.8 Watchdog Timer (WDT)

Watchdog timer is a self-oscillated RC oscillation timer. There is no need for any external devices. Even the main clock of the chip stops working, WDT can still function/ WDT overflow will cause reset.

2.8.1 WDT Period

WDT and TIMER0 share 8-bit pre-scaler. After all resets, default overflow period of WDT is 128ms. The way to calculate WDT overflow is $16\text{ms} \times \text{frequency division coefficient}$. If WDT period needs to be changed, you can configure OPTION_REG register. The overflow period is affected by environmental temperature, voltage of the power source and other parameter.

“CLRWDT” and “STOP” instructions will clear counting value inside the WDT timer and pre-scaler (when pre-scaler is allocated to WDT). WDT generally is used to prevent the system and MCU program from being out of control. Under normal condition, WDT should be cleared by “CLRWDT” instructions before overflow to prevent reset being generated. If program is out of control for some reason such that “CLRWDT” instructions is not able to execute before overflow, WDT overflow will then generate reset to make sure the system restarts. If reset is generated by WDT overflow, then ‘TO’ bit of STATUS will be cleared to 0. User can judge whether the reset is caused by WDT overflow according to this.

Note:

- 1) If WDT is used, ‘CLRWDT’ instructions must be placed somewhere in the program to make sure it is cleared before WDT overflow. If not, chip will keep resetting and the system cannot function normally.
- 2) It is not allowed to clear WDT during interrupt so that the main program ‘run away’ can be detected.
- 3) There should be 1 clear WDT in the main program. Try not to clear WDT inside the sub program, so that the protection feature of watchdog timer can be used largely.
- 4) Different chips have slightly different overflow time in watchdog timer. When setting clear time for WDT, try to leave extra time for WDT overflow time so that unnecessary WDT reset can be avoided.

2.8.2 Watchdog Timer Control

SWDTEN: Software enable or disable watchdog timer bit
1= Enable WDT
0= Disable WDT (reset value)

Note:

1. SWDTEN located in OSCCON register Bit1.
2. if WDT configuration bit in CONFIG equals 1, then WDT is always enabled and is unrelated to the status of control bit of SWDTEN. if WDT configuration bit in CONFIG equals 0, then it is able to disable WDT using the control bit of SWDTEN.

3. System Clock

3.1 General

When clock signals input from OSCIN pin (or generated by internal oscillation), 4 non-overlapping orthogonal clock signals called Q1、Q2、Q3、Q4 are produced. Inside IC , each Q1 makes program counter (PC)increase 1, Q4 obtain this instruction from program memory unit and lock it inside instructions register. Compile and execute the instruction obtained between next Q1 and Q4, which means that 4 clock period for 1 executed instruction. The following diagram illustrate the time series of clock and execution of instruction period.

1 instruction period contains 4 Q period. The execution of instructions has pipeline structure. Obtaining instructions only require 1 instruction period, compiling and executing use another instruction period. Since pipeline structure is used, the effective executing time for every instruction is 1 instruction period. If 1 instruction cause PC address to change (such as JP), then the pre-loaded instruction code is useless and 2 instruction period is needed to complete this instruction. This is why every operation on PC consumes 2 clock period.

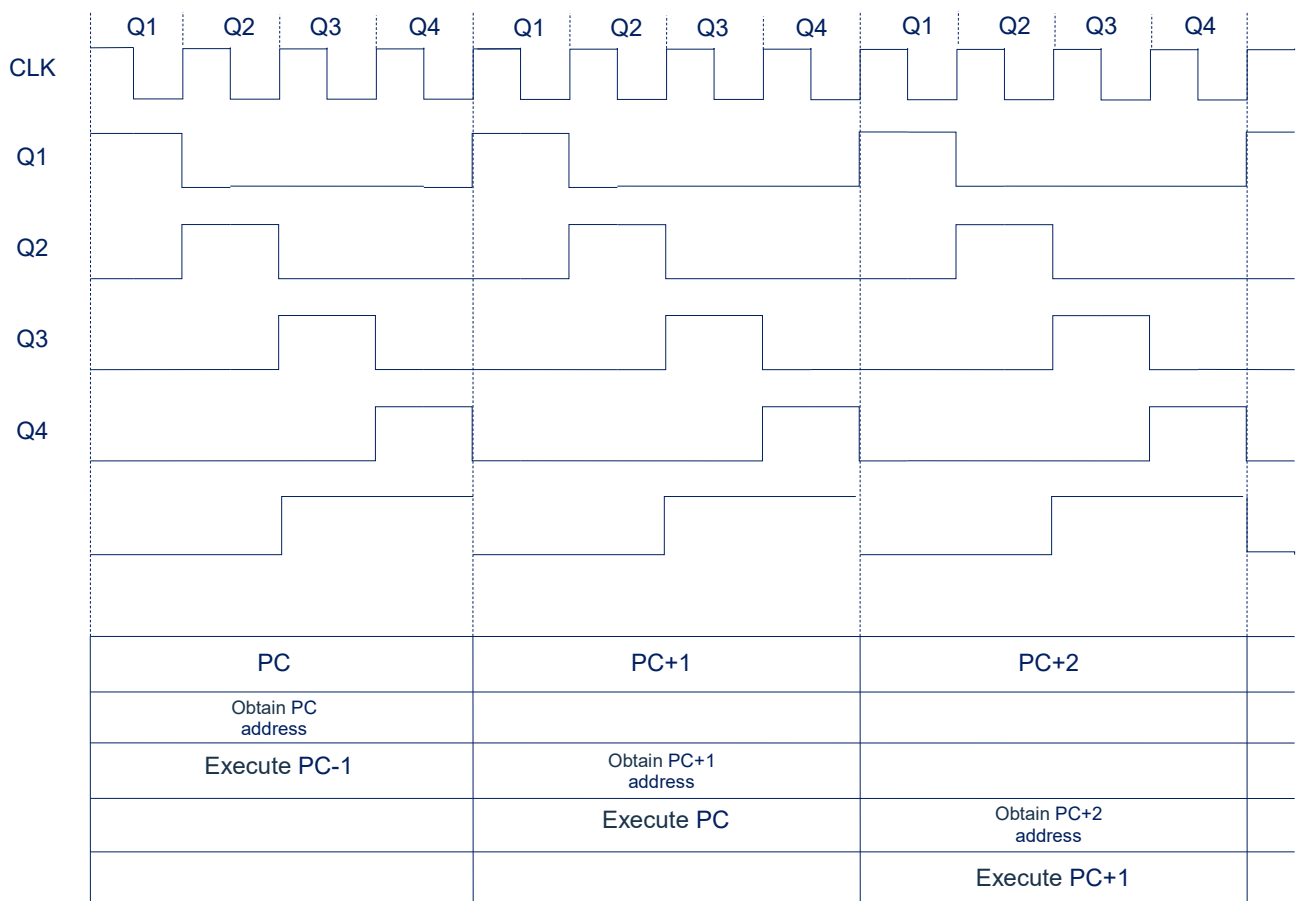


Fig 3-1: time series for clock and instruction period

Following is the relationship between working frequency of system and the speed of instructions:

System frequency (F_{SYS})	Double instruction period	Single instruction period
1MHz	8 μ s	4 μ s
2MHz	4 μ s	2 μ s
4MHz	2 μ s	1 μ s
8MHz	1 μ s	500ns

3.2 System Oscillator

Chip integrated with 8MHz/16MHz internal RC oscillation.

3.2.1 Internal RC Oscillation

Default oscillation is internal RC oscillation. Its frequency is 8MHz or 16MHz, which is set by OSCCON register.

3.3 Reset Time

Reset Time is the time for chip to change from reset to stable oscillation. The value is about 18ms.

Note: Reset time exists for both power on reset and other resets.

3.4 Oscillator Control Register

Oscillator control (OSCCON) register controls the system clock and frequency selection.

OSCCON (88H)

88H	Bit7	Bit6	Bit5	Bit4	Bit3	Bit2	Bit1	Bit0
OSCCON	---	IRCF2	IRCF1	IRCF0	---	---	SWDTEN	---
R/W	---	R/W	R/W	R/W	---	---	R/W	---
reset value	---	1	0	1	---	---	0	---

Bit7	Not used, read 0
Bit6~Bit4	IRCF<2:0>: Selection bit for frequency division of Internal oscillator 111= $F_{SYS} = F_{HSI} / 1$ 110= $F_{SYS} = F_{HSI} / 2$ 101= $F_{SYS} = F_{HSI} / 4$ (default) 100= $F_{SYS} = F_{HSI} / 8$ 011= $F_{SYS} = F_{HSI} / 16$ 010= $F_{SYS} = F_{HSI} / 32$ 001= $F_{SYS} = F_{HSI} / 64$ 000= $F_{SYS} = 32\text{kHz}$ (LFINTOSC).
Bit3~Bit2	Not used
Bit1	SWDTEN: Software enable or disable watchdog timer bit 1= Enable WDT 0= Disable WDT (reset value)
Bit0	Not used

Note: F_{HSI} as internal oscillator has frequency of 8MHz/16MHz; F_{SYS} is the working frequency of the system.

3.5 Clock Block Diagram

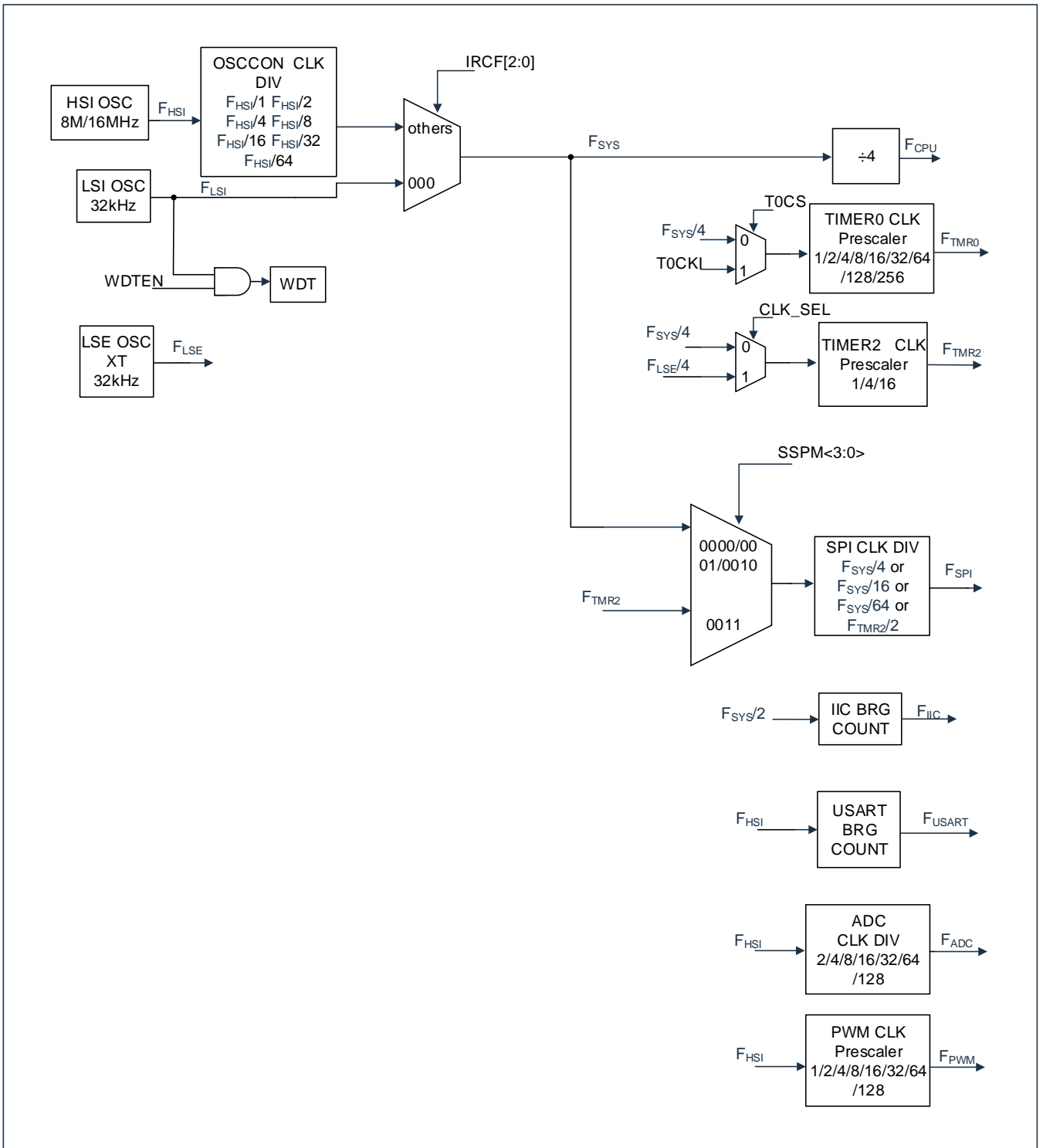


Fig 3-2: clock block diagram

4. Reset

Chip has 3 ways of reset:

- ◆ Power on reset;
- ◆ Low voltage reset;
- ◆ Watchdog overflow reset under normal working condition.

When any reset happens, all system registers reset to default condition, program stops executing and PC is cleared. When finishing resetting, program executes from reset vector 0000H. TO and PD bit from STATUS can provide information for system reset (see STATUS). User can control the route of the program according to the status of PD and TO.

Any reset requires certain respond time. System provides completed reset procedures to make sure the reset is processed normally.

4.1 Power on Reset

Power on reset is highly related to LVR. Power on process of the systems should be increasing, after passing some time, the normal electrical level is then reached. The normal time series for power on is as follows:

- Power on: system detects the voltage of the source to increase and wait for it to stabilize;
- System initialization: all system register set to initial value;
- Oscillator starts working: oscillator starts to provide system clock;
- Executing program: power on process ends, program starts to be executed.

4.2 External Reset

SC8F577x supports external reset, and RC3 can be configured as the reset port by CONFIG. Internal weak pull-up of RC3 will enable when the external reset function is enabled. The chip will reset when RC3 is pulled down.

4.3 Power off Reset

4.3.1 General

Power off reset is used for voltage drop caused by external factors (such as interference or change in external load). Voltage drop may enter system dead zone. System dead zone means power source cannot satisfy the minimal working voltage of the system.

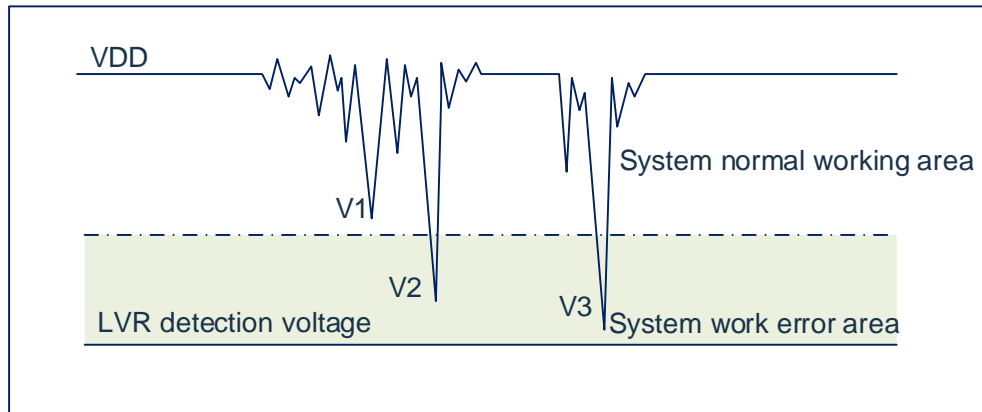


Fig 4-1: power off reset

The above is a typical power off reset case. VDD is under serious interference and the voltage is dropped to a low value. The system works normally above the dotted line and the system enters an unknown situation below the dotted line. This zone is called dead zone. When VDD drops to V1, system still works normally. When VDD drops to V2 and V3, system enters the dead zone and may cause error.

System will enter the dead zone under the following situation:

- DC:
 - Battery provides the power under DC. When the voltage of the battery is too low or the driver of MCU is over-loaded, system voltage may drop and enter the dead zone. Here, power source will not drop further to LVD detection voltage, hence system remains staying at the dead zone.
- AC:
 - When the system is powered by AC, voltage of DC is affected by the noise in AC source. When external over-loaded, such as driving motor, this action will also interfere the DC source. VDD drops below the minimal working voltage due to interference, system may enter unstable working condition.
 - Under AC condition, system power on/off take long time. Power on protection can ensure the system to power on normally, but power off situation is similar to DC case, when AC source is off, VDD drops and may enter dead zone easily.

As illustrated in the above diagram, the normal working voltage is higher than the system reset voltage, at the same time, reset voltage is decided by LVR. When the execution speed increases, the minimal working voltage should increase. However, the system reset voltage is fixed, hence there is a dead zone between the minimal working voltage and system reset voltage.

4.3.2 Improvements for Power off Reset

Suggestions to improve the power off reset:

- ◆ Choose higher LVR voltage;
- ◆ Turn on watchdog timer;
- ◆ Lower working frequency of the system;
- ◆ Increase the gradient of the voltage drop.

Watchdog timer

Watchdog timer is used to make sure the program is run normally. When system enter the dead zone or error happens, watchdog timer overflow and system reset.

Lower the working speed of the system

Higher the working frequency, higher the minimal working voltage system. Dead zone is increase when system works at higher frequency. Therefore, lower the working speed can lower the minimal working voltage and then decrease the probability of entering the dead zone.

Increase the gradient of the voltage drop

This method is used under AC. Voltage drops slowly under AC and cause the system to stay longer at the dead zone. If the system is power on at this moment, error may happen. It is then suggested to insert a resistor between power source and ground to ensure the MCU pass the dead zone and enter the reset zone faster.

4.4 Watchdog Reset

Watchdog reset is a protection for the system. Under normal condition, program clear the watchdog timer. If error happens and system is under unknown status, watchdog timer overflow and then system reset. After watchdog reset, system restarts and enter normal working condition.

Time series for watchdog reset:

- Watchdog timer status: system detects watchdog timer. If overflow, then system reset;
- Initialization: all system register set to default;
- oscillator starts working: oscillator starts to provide system clock;
- program: reset ends, program starts to be executed.

For applications of watchdog timer, see chapters at 2.8

5. Sleep Mode

5.1 Enter Sleep Mode

System can enter sleep mode when executing STOP instructions. If WDT enabled, then:

- ◆ WDT is cleared and continue to run.
- ◆ PD bit in STATUS register is cleared.
- ◆ TO bit set to 1.
- ◆ Turn off oscillator driver device.
- ◆ I/O port keep at the status before STOP (driver is high level, low lower, or high impedance).

Under sleep mode, to avoid current consumption, all I/O pin should keep at VDD or GND to make sure no external circuit is consuming the current from I/O pin. To avoid input pin, suspend and invoke current, high impedance I/O should be pulled to high or low level externally. Internal pull up resistance should also be considered.

5.2 Awaken from Sleep Mode

Awaken through any of the following events:

1. Watchdog timer awake (WDT force enable)
2. PORTA/PORTB/ PORTC electrical level interrupt
3. Other peripheral interrupt

The above 2 events are regards as the extension of the execution of the program. TO and PD bit in STATUS register are used to find the reason for reset. PD is set to 1 when power on and clear to 0 when STOP instruction is executing. TO is cleared when WDT awaken happens.

When executes STOP instructions, next instruction (PC+1)is withdrawal first. If it is intended to awaken the system using interrupt, the corresponding enable bit should be set to 1 for the interrupt. Awaken is not related to GIE bit. If GIE is cleared, system will continue to execute the instruction after STOP instruction, and then jump to interrupt address (0004h) to execute. To avoid instruction after STOP instruction being executed, user should put one NOP instruction after STOP instruction. When system is awakening from sleep mode, WDT will be cleared to 0 and has nothing to do with the reason for awakening.

5.3 Interrupt Awakening

When forbidden overall interrupt (GIE clear), and there exist 1 interrupt source with its interrupt enable bit and indication bit set to 1, one event from the following will happen:

- If interrupt happens before STOP instructions, then STOP instruction is executed as NOP instructions. Hence, WDT and its pre-scaler and post-scaler will not be cleared, and TO bit will not be set to 1, PD will not be cleared to 0.
- If interrupt happens during or after STOP instruction, then system is awakening from sleep mode. STOP will be executed before system being fully awoken. Hence, WDT and its pre-scaler, post-scaler will be cleared to, TO bit set to 1 and PD bit cleared to 0. Even if the indication bit is 0 before executing the STOP instruction, it can be set to 1 before STOP instruction is finished. To check whether STOP is executed, PD bit can be checked, if is 1, then STOP instruction is executed as NOP. Before executing STOP instruction, 1 CLRWDT instruction must be excited to make sure WDT is cleared.

5.4 Sleep Mode Application

Before system enters sleep mode, if user wants small sleep current, please check all I/O status. If suspended I/O port is required by user, set all suspended ports as output to make sure each I/O has a fixed status and avoid increasing sleep current when I/O is input; turn off AD and other peripherals mod; WDT functions can be turned off to decrease the sleep current.

example: procedures for entering sleep mode

```

SLEEP_MODE:
    CLR          INTCON          ; disable interrupt
    LDIA        B'00000000'
    LD          TRISA, A
    LD          TRISB, A        ;all I/O set as output
    LD          TRISC, A
    ...
    LDIA        0A5H
    LD          SP_FLAG, A      ;set sleep status memory register
    CLRWDT
    STOP        ;execute STOP instruction
    
```

5.5 Sleep Mode Awaken Time

When MCU is awoken from sleep mode, oscillation reset time is needed. This time is $1032 * T_{SYS}$ clock period under internal high speed oscillation mode, $15 * T_{SYS}$ clock period under low speed oscillation mode.

System main clock source	System clock frequency (IRCF<2:0>)	T_{WAIT}
Internal high-speed RC oscillation (F_{OSC})	$F_{SYS}=F_{OSC}$	$T_{WAIT}=128*1/F_{OSC}$
	$F_{SYS}= F_{OSC} /2$	$T_{WAIT}=128*2/F_{OSC}$

	$F_{SYS}= F_{OSC} /64$	$T_{WAIT}=128*64/F_{OSC}$
Internal low speed RC oscillation ($F_{LFINTOSC}$)	----	$T_{WAIT}=8/F_{LFINTOSC}$

6. I/O Port

6.1 I/O Summary

Chip has 3 I/O port: PORTA、PORTB、PORTC (max. of 18 I/O).read/write port data register can directly read/write these ports.

Port	Bit	Pin Description	I/O
PORTA	0	Schmitt trigger input, push-pull output, AN0, PWM, PGA positive input, SDA	I/O
	1	Schmitt trigger input, push-pull output, AN1, PWM, SCL	I/O
	2	Schmitt trigger input, push-pull output, AN2, PWM	I/O
	3	Schmitt trigger input, push-pull output, AN3, PWM	I/O
	4	Schmitt trigger input, push-pull output, AN4, PWM	I/O
	5	Schmitt trigger input, push-pull output, AN5, PWM, INT, TX, CK	I/O
	6	Schmitt trigger input, push-pull output, AN6 , PWM	I/O
	7	Schmitt trigger input, push-pull output, AN7	I/O
PORTB	0	Schmitt trigger input, push-pull output, AN15, PWM, ICSPDAT, OSC1, SDA	I/O
	1	Schmitt trigger input, push-pull output, AN14, PWM, ICSPCLK, OSC0, SCL	I/O
	2	Schmitt trigger input, push-pull output, AN13, PWM, MISO	I/O
	3	Schmitt trigger input, push-pull output, AN12, PWM, MOSI, TX, CK	I/O
	4	Schmitt trigger input, push-pull output, AN11, PWM, SPI_CLK, RX, DT	I/O
	5	Schmitt trigger input, push-pull output, AN10, PWM, SS	I/O
	6	Schmitt trigger input, push-pull output, AN9, PWM	I/O
	7	Schmitt trigger input, push-pull output, AN8, PWM	I/O
PORTC	0	Schmitt trigger input, push-pull output, AN16 , PWM	I/O
	1	Schmitt trigger input, push-pull output, AN17 , PWM	I/O
	2	Schmitt trigger input, push-pull output, AN18 , PWM , ICSPCLK, OSC0	I/O
	3	Schmitt trigger input, push-pull output, external reset input	I/O

< Table 6-1: port configuration summary >

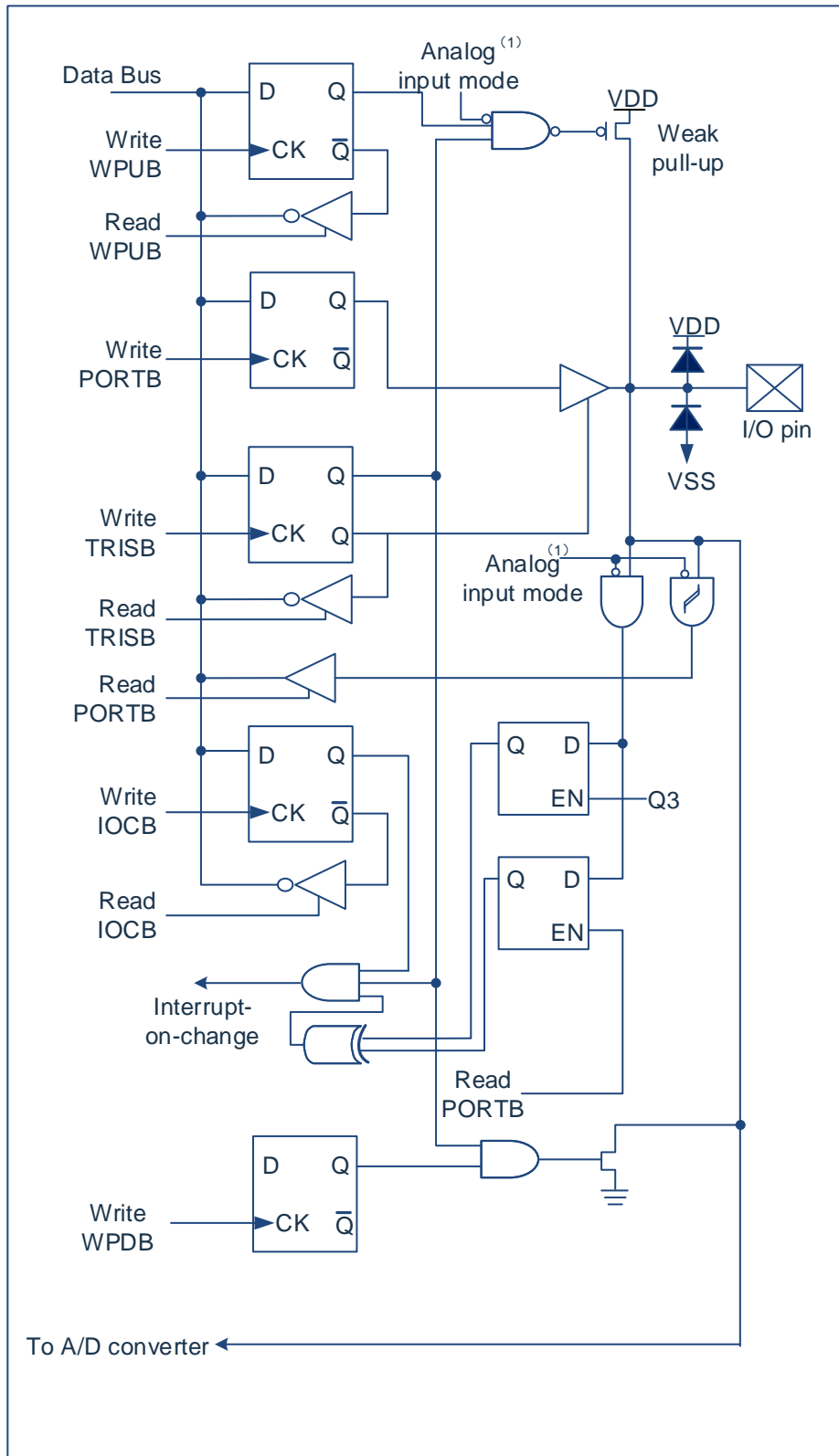


Fig 6-2: I/O port structure (2)

6.2 PORTA

6.2.1 PORTA Data and Direction Control

PORTA is 8 Bit bi-directional port. Its corresponding data direction register is TRISA. Setting 1 bit of TRISA to be 1 can configure the corresponding pin to be input. Setting 1 bit of TRISA to be 0 can configure the corresponding pin to be output.

Reading PORTA register reads the pin status. Writing PORTA write to port latch. All write operation is read-change-write. Hence, write 1 port means read the pin electrical level of the port, change the value and write the value into port latch. Even when PORTA pin is used as analog input, TRISA register still control the direction of PORTA pin. When use PORTA pin as analog input, user must make sure the bits in TRISA register are kept as 1. I/O pin is always read 0 when configured as analog input.

Registers related to PORTA ports are PORTA, TRISA, WPUA, IOCA, ANSEL0 and etc.

PORTA data register PORTA (05H)

05H	Bit7	Bit6	Bit5	Bit4	Bit3	Bit2	Bit1	Bit0
PORTA	RA7	RA6	RA5	RA4	RA3	RA2	RA1	RA0
R/W	R/W	R/W	R/W	R/W	R/W	R/W	R/W	R/W
reset value	X	X	X	X	X	X	X	X

Bit7~Bit0 PORTA<7:0>: PORTA I/O pin bit;
 1= Port pin level > V_{IH};
 0= Port pin level < V_{IL}.

PORTA direction register TRISA (85H)

85H	Bit7	Bit6	Bit5	Bit4	Bit3	Bit2	Bit1	Bit0
TRISA	TRISA7	TRISA6	TRISA5	TRISA4	TRISA3	TRISA2	TRISA1	TRISA0
R/W	R/W	R/W	R/W	R/W	R/W	R/W	R/W	R/W
reset value	1	1	1	1	1	1	1	1

Bit7~Bit0 TRISA<7:0>: PORTA tristate control bit;
 1= PORTA pin set to be input (tristate);
 0= PORTA pin set to be output.

example: procedure for PORTA

LDIA	B'11110000'	;set PORTA<3:0> as output port, PORTA<7:4> as input port
LD	TRISA, A	
LDIA	03H	;PORTA<1:0> output high level, PORTA<3:2> output low level
LD	PORTA, A	;since PORTA<7:4> are input ports, 0 or 1 does not matter

6.2.2 PORTA Analog Control Selection

The ANSEL0 register is used to configure the input mode of I/O pin to analog mode. Setting the appropriate bit in ANSEL0 to 1 will cause all digital read operations of the corresponding pin to return to 0 and make the analog function of the pin work normally. The state of the ANSEL0 bit has no effect on the digital output function. The pin with TRIS cleared and ANSEL0 set to 1 will still be used as a digital output, but the input mode will become an analog mode. This can cause unpredictable results when performing read-modify-write operations on the affected port.

PORT A analog selection register ANSEL0 (110H)

110H	Bit7	Bit6	Bit5	Bit4	Bit3	Bit2	Bit1	Bit0
ANSEL0	ANS7	ANS6	ANS5	ANS4	ANS3	ANS2	ANS1	ANS0
R/W	R/W	R/W	R/W	R/W	R/W	R/W	R/W	R/W
Reset value	0	0	0	0	0	0	0	0

Bit7~Bit0 ANS<7:0>: Analog selection bit, select the digital or analog function of pin AN<7:0>
 1= Analog input. The pin is selected as analog input.
 0= Digital I/O. The pin is selected as port or special function

Note: ANS and ports are not corresponding, please check the pin diagram for specific corresponding relationship.

6.2.3 PORTA Pull Up Resistance

Each PORTA pin has an internal weak pull up that can be individually configured. The control bits WPUA<7:0> enable or disable each weak pull up.

PORTA pull up resistance register WPUA (07H)

07H	Bit7	Bit6	Bit5	Bit4	Bit3	Bit2	Bit1	Bit0
WPUA	WPUA7	WPUA6	WPUA5	WPUA4	WPUA3	WPUA2	WPUA1	WPUA0
R/W	R/W	R/W	R/W	R/W	R/W	R/W	R/W	R/W
Reset value	0	0	0	0	0	0	0	0

Bit7~Bit0 WPUA<7:0>: Weak pull up register bit
 1= Enable pull up
 0= Disable pull up

Note: If pin is configured as output, weak pull up will be automatically disabled.

6.2.4 PORTA Pull Down Resistance

Each PORTA pin has an internal weak pull down that can be individually configured. The control bits WPDA<7:0> enable or disable each weak pull down.

PORTA pull down resistance register WPDA (97H)

97H	Bit7	Bit6	Bit5	Bit4	Bit3	Bit2	Bit1	Bit0
WPDA	WPDA7	WPDA6	WPDA5	WPDA4	WPDA3	WPDA2	WPDA1	WPDA0
R/W	R/W	R/W	R/W	R/W	R/W	R/W	R/W	R/W
Reset value	0	0	0	0	0	0	0	0

Bit7~Bit0 WPDA<7:0>: Weak pull down register bit
 1= Enable pull down
 0= Disable pull down

Note: If pin is configured as output, weak pull down will be automatically disabled.

6.2.5 PORTA Level Change Interrupt

All PORTA pins can be individually configured as level change interrupt pins. The control bit IOCA<7:0> allows or disables the interrupt function of each pin. Disable pin level change interrupt function when power on reset.

For the pin that has allowed level change interrupt, compare the value on the pin with the old value latched when PORTA was read last time. Perform a logical OR operation with the output "mismatch" of the last read operation to set the PORTA level change interrupt flag (RACIF) in the PIR2 register as 1.

This interrupt can wake up the device from sleep mode, and the user can clear the interrupt in the interrupt service program in the following ways:

- Read or write to PORTA. This will end the mismatch state of the pin level.
- Clear the flag bit RACIF.

The mismatch status will continuously set the RACIF flag bit as 1. Reading or writing PORTA will end the mismatch state and allow the RACIF flag to be cleared. The latch will keep the last read value from the under voltage reset. After reset, if the mismatch still exists, the RACIF flag will continue to be set as 1.

Note: If the level of the I/O pin changes during the read operation (beginning of the Q2 cycle), the RACIF interrupt flag bit will not be set as 1. In addition, since reading or writing to a port affects all bits of the port, special care must be taken when using multiple pins in interrupt-on-change mode. When dealing with the level change of one pin, you may not notice the level change on the other pin.

PORTA level change interrupt register IOCA(95H)

95H	Bit7	Bit6	Bit5	Bit4	Bit3	Bit2	Bit1	Bit0
IOCA	IOCA7	IOCA6	IOCA5	IOCA4	IOCA3	IOCA2	IOCA1	IOCA0
R/W	R/W	R/W	R/W	R/W	R/W	R/W	R/W	R/W
Reset value	0	0	0	0	0	0	0	0

Bit7~Bit0 IOCA<7:0> Control bit of level change interrupt of PORTA
1= enable level change interrupt
0= disable level change interrupt

6.3 PORTB

6.3.1 PORTB Data and Direction

PORTB is an 8Bit wide bi-directional port. The corresponding data direction register is TRISB. Set a bit in TRISB to 1 (=1) to make the corresponding PORTB pin as the input pin. Clearing a bit in TRISB (=0) will make the corresponding PORTB pin as the output pin.

Reading the PORTB register reads the pin status and writing to the register will write the port latch. All write operations are read-modify-write operations. Therefore, writing a port means to read the pin level of the port first, modify the read value, and then write the modified value into the port data latch. Even when the PORTB pin is used as an analog input, the TRISB register still controls the direction of the PORTB pin. When using the PORTB pin as an analog input, the user must ensure that the bits in the TRISB register remain set as 1. I/O pin is always read 0 when configured as analog input.

Related registers with PORTB port include PORTB、TRISB、WPUB、WPDB、IOCB、ANSEL1 and etc.

PORTB data register PORTB (06H)

06H	Bit7	Bit6	Bit5	Bit4	Bit3	Bit2	Bit1	Bit0
PORTB	RB7	RB6	RB5	RB4	RB3	RB2	RB1	RB0
R/W	R/W	R/W	R/W	R/W	R/W	R/W	R/W	R/W
Reset value	X	X	X	X	X	X	X	X

Bit7~Bit0 PORTB<7:0>: PORTB I/O pin bit
 1= Port pin level >V_{IH};
 0= Port pin level <V_{IL}

PORTB direction register TRISB (86H)

86H	Bit7	Bit6	Bit5	Bit4	Bit3	Bit2	Bit1	Bit0
TRISB	TRISB7	TRISB6	TRISB5	TRISB4	TRISB3	TRISB2	TRISB1	TRISB0
R/W	R/W	R/W	R/W	R/W	R/W	R/W	R/W	R/W
reset value	1	1	1	1	1	1	1	1

Bit7~Bit0 TRISB<7:0>: PORTB tristate control bit
 1= PORTB pin configured as input(tristate)
 0= PORTB pin configured as output

Example: PORTB port procedure

CLR	PORTB	;clear data register
LDIA	B'00110000'	;set PORTB<5:4> as input port, others as output port
LD	TRISB, A	

6.3.2 PORTB Analog Selection Control

The ANSEL1 register is used to configure the input mode of I/O pin to analog mode. Setting the appropriate bit in ANSEL1 to 1 will cause all digital read operations of the corresponding pin to return to 0 and make the analog function of the pin work normally. The state of the ANSEL1 bit has no effect on the digital output function. The pin whose TRIS is cleared and ANSEL1 is set to 1 is still used as a digital output, but the input mode will become an analog mode. This can cause unpredictable results when executing read-modify-write operations on the affected port.

PORTB analog selection register ANSEL1 (111H)

111H	Bit7	Bit6	Bit5	Bit4	Bit3	Bit2	Bit1	Bit0
ANSEL1	ANS15	ANS14	ANS13	ANS12	ANS11	ANS10	ANS9	ANS8
R/W	R/W	R/W	R/W	R/W	R/W	R/W	R/W	R/W
reset value	0	0	0	0	0	0	0	0

Bit7~Bit0 ANS<15:8>: Analog selection bits, select the analog or digital functions of pin AN<15:8>.
 1= Analog input. The pin is selected as analog input.
 0= Digital I/O. The pin is selected as port or special function

Note: ANS and ports are not corresponding, please check the pin diagram for specific corresponding relationship.

6.3.3 PORTB Pull Down Resistance

Each PORTB pin has an internal weak pull down that can be individually configured. The control bits WPDB<7:0> enable or disable each weak pull down.

PORTB pull down resistance register WPDB (87H)

87H	Bit7	Bit6	Bit5	Bit4	Bit3	Bit2	Bit1	Bit0
WPDB	WPDB7	WPDB6	WPDB5	WPDB4	WPDB3	WPDB2	WPDB1	WPDB0
R/W	R/W	R/W	R/W	R/W	R/W	R/W	R/W	R/W
Reset value	0	0	0	0	0	0	0	0

Bit7~Bit0 WPDB<7:0>: Weak pull down register bit
 1= Enable pull down
 0= Disable pull down

Note: If pin is configured as output, weak pull down will be automatically disabled.

6.3.4 PORTB Pull up Resistance

Each PORTB pin has an internal weak pull up that can be individually configured. The control bits WPUB<7:0> enable or disable each weak pull up.

PORTB pull up resistance register WPUB (08H)

08H	Bit7	Bit6	Bit5	Bit4	Bit3	Bit2	Bit1	Bit0
WPUB	WPUB7	WPUB6	WPUB5	WPUB4	WPUB3	WPUB2	WPUB1	WPUB0
R/W	R/W	R/W	R/W	R/W	R/W	R/W	R/W	R/W
Reset value	0	0	0	0	0	0	0	0

Bit7~Bit0 WPUB<7:0>: Weak pull up register bit
 1= Enable pull up
 0= Disable pull up

Note: If pin is configured as output, weak pull up will be automatically disabled.

6.3.5 PORTB Level Change Interrupt

All PORTB pins can be individually configured as level change interrupt pins. The control bit IOCB<7:0> allows or disables the interrupt function of each pin. Disable pin level change interrupt function when power on reset.

For the pin that has allowed level change interrupt, compare the value on the pin with the old value latched when PORTB was read last time. Perform a logical OR operation with the output "mismatch" of the last read operation to set the PORTB level change interrupt flag (RBIF) in the INTCON register as 1.

This interrupt can wake up the device from sleep mode, and the user can clear the interrupt in the interrupt service program in the following ways:

- Read or write to PORTB. This will end the mismatch state of the pin level.
- Clear the flag bit RBIF.

The mismatch status will continuously set the RBIF flag bit as 1. Reading or writing PORTB will end the mismatch state and allow the RBIF flag to be cleared. The latch will keep the last read value from the under voltage reset. After reset, if the mismatch still exists, the RBIF flag will continue to be set as 1.

Note: If the level of the I/O pin changes during the read operation (beginning of the Q2 cycle), the RBIF interrupt flag bit will not be set as 1. In addition, since reading or writing to a port affects all bits of the port, special care must be taken when using multiple pins in interrupt-on-change mode. When dealing with the level change of one pin, you may not notice the level change on the other pin.

PORTB level change interrupt register IOCB (09H)

09H	Bit7	Bit6	Bit5	Bit4	Bit3	Bit2	Bit1	Bit0
IOCB	IOCB7	IOCB6	IOCB5	IOCB4	IOCB3	IOCB2	IOCB1	IOCB0
R/W	R/W	R/W	R/W	R/W	R/W	R/W	R/W	R/W
Reset value	0	0	0	0	0	0	0	0

Bit7~Bit0 IOCB<7:0> Control bit of level change interrupt of PORTB
1= enable level change interrupt
0= disable level change interrupt

6.4 PORTC

6.4.1 PORTC Data and Direction

PORTC is a 2-bit wide bidirectional port. The corresponding data direction register is TRISC. Set a certain position in TRISC to 1 (=1) to make the corresponding PORTC pin as the input pin. Clearing a bit in TRISC (=0) will make the corresponding PORTC pin as the output pin.

Reading the PORTC register reads the pin status and writing to the register will write the port latch. All write operations are read-modify-write operations. Therefore, writing a port means reading the pin level of the port first, modifying the read value, and then writing the modified value to the port data latch. Even when the PORTC pin is used as an analog input, the TRISC register still controls the direction of the PORTC pin. When using the PORTC pin as an analog input, the user must ensure that the bits in the TRISC register remain set as 1. I/O pin is always read 0 when configured as analog input.

Related registers with PORTC port include PORTC、TRISC、WPUC、WPDC、IOCC、ANSEL2 and etc.

PORTC data register PORTC (92H)

92H	Bit7	Bit6	Bit5	Bit4	Bit3	Bit2	Bit1	Bit0
PORTC	----	----	----	----	RC3	RC2	RC1	RC0
R/W	----	----	----	----	R/W	R/W	R/W	R/W
Reset value	----	----	----	----	X	X	X	X

Bit7~Bit4 Not used
 Bit3~Bit0 PORTC<3:0> PORTC I/O pin bit
 1= Port pin level >V_{IH};
 0= Port pin level <V_{IL}

Note: PORTC [3] will invalid if RC3 is configured as reset port.

PORTC direction register TRISC (93H)

93H	Bit7	Bit6	Bit5	Bit4	Bit3	Bit2	Bit1	Bit0
TRISC	----	----	----	----	TRISC3	TRISC2	TRISC1	TRISC0
R/W	----	----	----	----	R/W	R/W	R/W	R/W
Reset value	----	----	----	----	1	1	1	1

Bit7~Bit4 Not used
 Bit3~Bit0 TRISC<3:0>: Control bit of PORTC tristate
 1= PORTC pin configured as input(tristate)
 0= PORTC pin configured as output

Example: procedure for PORTC

CLR	PORTC	;clear data register
LDIA	B'00000001'	;set PORTC<0> as input, PORTC<1> as output
LD	TRISC, A	

6.4.2 PORTC Analog Control Selection

The ANSEL2 register is used to configure the input mode of I/O pin to analog mode. Setting the appropriate bit in ANSEL2 to 1 will cause all digital read operations of the corresponding pin to return to 0 and make the analog function of the pin work normally. The state of the ANSEL2 bit has no effect on the digital output function. The pin with TRIS cleared and ANSEL2 set to 1 is still used as a digital output, but the input mode will become an analog mode. This can cause unpredictable results when performing read-modify-write operations on the affected port.

PORTC analog selection register ANSEL2 (112H)

112H	Bit7	Bit6	Bit5	Bit4	Bit3	Bit2	Bit1	Bit0
ANSEL2	----	----	----	----	----	ANS18	ANS17	ANS16
R/W	----	----	----	----	----	R/W	R/W	R/W
Reset value	----	----	----	----	----	0	0	0

Bit7~Bit4 Not used

Bit2~Bit0 ANS<18:16>: Analog selection bits, select the analog or digital functions of pin AN<18:16>.

1= Analog input. The pin is selected as analog input.

0= Digital I/O. The pin is selected as port or special function

Note: ANS and ports are not corresponding, please check the pin diagram for specific corresponding relationship.

6.4.3 PORTC Pull Down Resistance

Each PORTC pin has an internal weak pull down that can be individually configured. The control bits WPDC<3:0> enable or disable each weak pull down.

PORTC pull down resistance register WPDC (98H)

98H	Bit7	Bit6	Bit5	Bit4	Bit3	Bit2	Bit1	Bit0
WPDC	----	----	----	----	WPDC3	WPDC2	WPDC1	WPDC0
R/W	----	----	----	----	R/W	R/W	R/W	R/W
Reset value	----	----	----	----	0	0	0	0

Bit7~Bit4 Not used

Bit3~Bit0 WPDC<3:0>: Weak pull down register bit

1= Enable pull down

0= Disable pull down

Note:

- 1) WPDC[3] will invalid if RC3 is configured as reset input.
- 2) If pin is configured as output, weak pull down will be automatically disabled.

6.4.4 PORTC Pull up Resistance

Each PORTC pin has an internal weak pull up that can be individually configured. The control bits WPUC<3:0> enable or disable each weak pull up.

PORTC pull up resistance register WPUC (99H)

99H	Bit7	Bit6	Bit5	Bit4	Bit3	Bit2	Bit1	Bit0
WPUC	----	----	----	----	WPUC3	WPUC2	WPUC1	WPUC0
R/W	----	----	----	----	R/W	R/W	R/W	R/W
Reset value	----	----	----	----	0	0	0	0

Bit7~Bit4 Not used

Bit3~Bit0 WPUC<3:0>: Weak pull up register bit
 1= Enable pull up
 0= Disable pull up

Note:

- 1) WPUC[3] will invalid if RC3 is configured as reset input, and the weak pull up of RC3 will force to valid.
- 2) If pin is configured as output, weak pull up will be automatically disabled.

6.4.5 PORTC Level Change Interrupt

All PORTC pins can be individually configured as level change interrupt pins. The control bit IOCC<1:0> allows or disables the interrupt function of each pin. Disable pin level change interrupt function when power on reset.

For the pin that has allowed level change interrupt, compare the value on the pin with the old value latched when PORTC was read last time. Perform a logical OR operation with the output "mismatch" of the last read operation to set the PORTC level change interrupt flag (RCCIF) as 1.

This interrupt can wake up the device from sleep mode, and the user can clear the interrupt in the interrupt service program in the following ways:

- Read or write to PORTC. This will end the mismatch state of the pin level.
- Clear the flag bit RCCIF.

The mismatch status will continuously set the RCCIF flag bit as 1. Reading or writing PORTC will end the mismatch state and allow the RCCIF flag to be cleared. The latch will keep the last read value from the under voltage reset. After reset, if the mismatch still exists, the RCCIF flag will continue to be set as 1.

Note: If the level of the I/O pin changes during the read operation (beginning of the Q2 cycle), the RCCIF interrupt flag bit will not be set as 1. In addition, since reading or writing to a port affects all bits of the port, special care must be taken when using multiple pins in interrupt-on-change mode. When dealing with the level change of one pin, you may not notice the level change on the other pin.

PORTC level change interrupt register IOCC (94H)

94H	Bit7	Bit6	Bit5	Bit4	Bit3	Bit2	Bit1	Bit0
IOCC	---	---	---	---	IOCB3	IOCB2	IOCC1	IOCC0
R/W	---	---	---	---	R/W	R/W	R/W	R/W
Reset value	---	---	---	---	0	0	0	0

Bit7~Bit4 Not used

Bit3~Bit0 IOCC<3:0> Control bit of level change interrupt of PORTC
 1= enable level change interrupt
 0= disable level change interrupt

6.5 I/O Usage

6.5.1 Write I/O Port

The chip's I/O port register, like the general universal register, can be written through data transmission instructions, bit manipulation instructions, etc.

Example: write I/O port program

LD	PORTA, A	;pass value of ACC to PORTA
CLRB	PORTB, 1	;clear PORTB.1
SET	PORTA	;set all output port of PORTA as 1
SETB	PORTB, 1	;set PORTB.1as 1

6.5.2 Read I/O Port

Example: write I/O port program

LD	A, PORTA	;pass value of PORTA to ACC
SNZB	PORTA, 1	; check whether PORTA, port 1 is 1, if it is 1, skip the next statement
SZB	PORTA, 1	; check if PORTA, 1 port is 0, if 0, skip the next statement

Note: When the user reads the status of an I/O port, if the I/O port is an input port, the data read back by the user will be the state of the external level of the port line. If the I/O port is an output port then the read value will be the data of the internal output register of this port.

6.6 Precautions for I/O Port Usage

When operating the I/O port, pay attention to the following aspects:

1. When I/O is converted from output to input, it is necessary to wait for several instruction periods for the I/O port to stabilize.
2. If the internal pull up resistor is used, when the I/O is converted from output to input, the stable time of the internal level is related to the capacitance connected to the I/O port. The user should set the waiting time according to the actual situation. Prevent the I/O port from scanning the level by mistake.
3. When the I/O port is an input port, its input level should be between "VDD+0.7V" and "GND-0.7V". If the input port voltage is not within this range, the method shown in the figure below can be used.

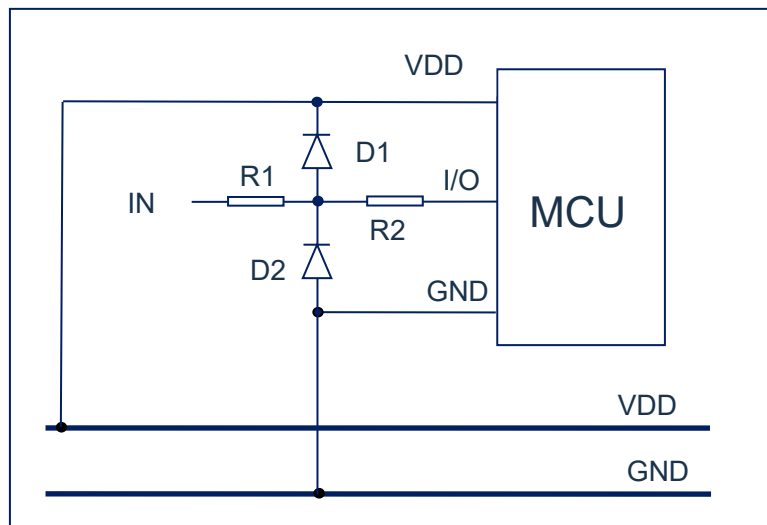


Fig 6-4: The input voltage is not within the specified range

4. If a longer cable is connected to the I/O port, please add a current limiting resistor near the chip I/O to enhance the MCU's anti-EMC capability.

7. Interrupt

7.1 Interrupt General

The chip has the following interrupt source:

- ◆ TIMER0 overflow interrupt
- ◆ TIMER2 match interrupt
- ◆ PORTA level change interrupt
- ◆ PORTB level change interrupt
- ◆ PORTC level change interrupt
- ◆ Program EEPROM write interrupt
- ◆ IIC receive /transmit interrupt
- ◆ A/D interrupt
- ◆ PWM interrupt
- ◆ INT interrupt
- ◆ USART receive/transmit interrupt
- ◆ SPI receive/transmit interrupt
- ◆ COMP interrupt
- ◆ Touch button detection over interrupt

The interrupt control register (INTCON) and the peripherals interrupt request register (PIR1, PIR2) record various interrupt requests in their respective flag bits. The INTCON register also includes various interrupt enable bits and global interrupt enable bits.

The global interrupt enables bit GIE (INTCON<7>) allows all unmasked interrupts when set to 1, and prohibits all interrupts when cleared. Each interrupt can be prohibited through the corresponding enable bits in the INTCON, PIE1 registers. GIE is cleared when reset.

Executing the "return from interrupt" instructions, RETI, will exit the interrupt service program and set the GIE bit to 1, thereby re-allowing unshielded interrupt.

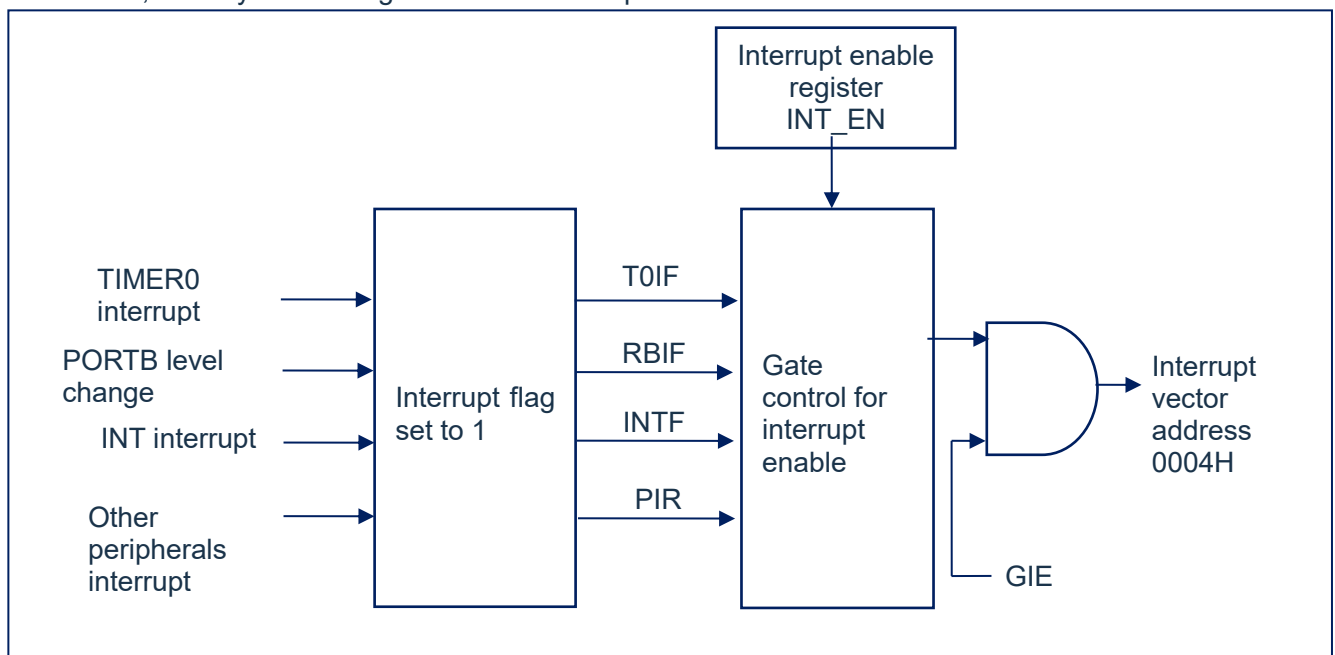


Fig 7-1: interrupt theory

7.2 Interrupt control Register

7.2.1 Interrupt Control Register

The interrupt control register INTCON is a readable and writable register, including the allowable and flag bits for TMR0 register overflow and PORTB port level change interrupt.

When an interrupt condition occurs, regardless of the state of the corresponding interrupt enable bit or the global enable bit GIE (in the INTCON register), the interrupt flag bit will be set to 1. The user software should ensure that the corresponding interrupt flag bit is cleared before allowing an interrupt.

Interrupt control register INTCON (0BH)

0BH	Bit7	Bit6	Bit5	Bit4	Bit3	Bit2	Bit1	Bit0
INTCON	GIE	PEIE	TOIE	INTE	RBIE	T0IF	INTF	RBIF
R/W	R/W	R/W	R/W	R/W	R/W	R/W	R/W	R/W
Reset value	0	0	0	0	0	0	0	0

- Bit7 GIE: Global interrupt enable bit;
 1= Enable all unshielded interrupt;
 0= Disable all interrupt
- Bit6 PEIE: Peripherals interrupt enable bit;
 1= Enable all unshielded peripherals interrupt;
 0= Disable all peripherals interrupt.
- Bit5 TOIE: TIMER0 overflow interrupt enable bit;
 1= Enable TIMER0 interrupt;
 0= Disable TIMER0 interrupt
- Bit4 INTE: INT external interrupt enable bit;
 1= Enable INT external interrupt;
 0= Disable INT external interrupt
- Bit3 RBIE: PORTB level change interrupt enable bit (1);
 1= Enable PORTB level change interrupt;
 0= Disable PORTB level change interrupt
- Bit2 T0IF: TIMER0 overflow interrupt enable bit (2);
 1= TMR0 register overflow already (must clear through software);
 0= TMR0 register not overflow
- Bit1 INTF: INT external interrupt flag bit;
 1= INT external interrupt happens (must clear through software);
 0= INT external interrupt not happen
- Bit0 RBIF: PORTB level change interrupt flag bit;
 1= The level of at least one pin in the PORTB port has changed (must clear through software);
 0= None of the PORTB universal I/O pin status has changed.

Note:

- 1) The IOCB register must also be enabled, and the corresponding port must be set to input state.
- 2) The T0IF bit is set as 1 when TMR0 rolls over to 0. Reset will not change TMR0 and should be initialized before clearing the T0IF bit.

7.2.2 Peripherals Interrupt Enable Register

The peripherals interrupt enable register has PIE1 and PIE2. Before allowing any peripherals interrupt, the PEIE bit of the INTCON register must be set to 1.

Peripherals interrupt enable register PIE1 (0DH)

0DH	Bit7	Bit6	Bit5	Bit4	Bit3	Bit2	Bit1	Bit0
PIE1	----	EEIE	RCIE	TXIE	SPIIE	PWMIE	TMR2IE	ADIE
R/W	----	R/W	R/W	R/W	R/W	R/W	R/W	R/W
Reset value	----	0	0	0	0	0	0	0

Bit7	Not used.
Bit6	EEIE: EEDATA interrupt enable bit 1= enable EEDATA write operation interrupt 0= disable EEDATA write operation interrupt
Bit5	RCIE: USART receive interrupt enable bit; 1= enable USART receive interrupt; 0= disable USART receive interrupt.
Bit4	TXIE: USART transmit interrupt enable bit; 1= enable USART transmit interrupt; 0= disable USART transmit interrupt.
Bit3	SPIIE: SPI interrupt enable bit; 1= enable SPI interrupt; 0= disable SPI interrupt.
Bit2	PWMIE: PWM interrupt enable bit; 1= enable PWM interrupt; 0= disable PWM interrupt.
Bit1	TMR2IE: TIMER2 and PR2 match interrupt enable bit; 1= enable TMR2 and PR2 match interrupt; 0= disable TMR2 and PR2 match interrupt.
Bit0	ADIE: A/D converter (ADC) interrupt enable bit; 1= enable ADC interrupt; 0= disable ADC interrupt

Peripherals interrupt enable register PIE2 (108H)

108H	Bit7	Bit6	Bit5	Bit4	Bit3	Bit2	Bit1	Bit0
PIE2	---	TKIE	COMPIE	IICIE	BCLIE	RCCIE	RACIE	LVDIE
R/W	---	R/W	R/W	R/W	R/W	R/W	R/W	R/W
Reset value	---	0	0	0	0	0	0	0

Bit7	Not used.
Bit6	TKIE: Touch button detection over interrupt enable bit 1= enable touch button detection over interrupt 0= disable touch button detection over interrupt
Bit5	COMPIE: COMP interrupt enable bit 1= enable COMP interrupt 0= disable COMP interrupt
Bit4	IICIE: IIC interrupt enable bit 1= enable IIC interrupt 0= disable IIC interrupt
Bit3	BCLIE: Bus conflict interrupt enable bit 1= enable bus conflict interrupt 0= disable bus conflict interrupt
Bit2	RCCIE: PORTC level change interrupt enable bit 1= enable PORTC level change interrupt 0= disable PORTC level change interrupt
Bit1	RACIE: PORTA level change interrupt enable bit 1= enable PORTA level change interrupt 0= disable PORTA level change interrupt
Bit0	LVDIE: LVD interrupt enable bit 1= enable LVD interrupt 0= disable LVD interrupt

7.2.3 Peripherals Interrupt Request Register

The peripherals interrupt request register is PIR1 and PIR2. When an interrupt condition occurs, regardless of the state of the corresponding interrupt enable bit or the global enable bit GIE, the interrupt flag bit will be set to 1. The user software should ensure that the interrupt is set before allowing an interrupt. The corresponding interrupt flag bit is cleared.

Peripherals interrupt request register PIR1 (0CH)

0CH	Bit7	Bit6	Bit5	Bit4	Bit3	Bit2	Bit1	Bit0
PIR1	----	EEIF	RCIF	TXIF	SPIIF	PWMIF	TMR2IF	ADIF
R/W	----	R/W	R	R	R/W	R/W	R/W	R/W
Reset value	----	0	0	0	0	0	0	0

Bit7	Not used.
Bit6	EEIF: Program EEPROM write operation interrupt bit; 1= program EEPROM write operation complete (must clear through software); 0= program EEPROM write operation not complete or not start.
Bit5	RCIF: USART receive interrupt flag bit; 1= USART receive buffer full (clear through reading RCREG); 0= USART receive buffer empty.
Bit4	TXIF: USART transmit interrupt flag bit; 1= USART transmit buffer empty (clear through TXREG); 0= USART transmit buffer full.
Bit3	SPIIF: SPI interrupt flag bit. 1= SPI receive /transmit interrupt happens (must clear through software); 0= No SPI interrupt condition is met.
Bit2	PWMIF: PWM interrupt flag bit. 1= PWM interrupt happens (must clear through software); 0= PWM interrupt not happen
Bit1	TMR2IF: TIMER2 and PR2 match interrupt flag bit. 1= TIMER2 and PR2 match happens (must clear through software); 0= TIMER2 and PR2 not match.
Bit0	ADIF: A/D converter interrupt flag bit; 1= A/D conversion complete (must clear through software); 0= A/D conversion not complete or not start.

Peripherals interrupt request register PIR2 (107H)

107H	Bit7	Bit6	Bit5	Bit4	Bit3	Bit2	Bit1	Bit0
PIR2	---	TKIF	COMPIF	IICIF	BCLIF	RCCIF	RACIF	LVDIF
R/W	---	R/W	R/W	R/W	R/W	R/W	R/W	R/W
Reset value	---	0	0	0	0	0	0	0

Bit7	Not used.
Bit6	TKIF: Touch button detection over interrupt flag bit 1= Touch button detection over interrupt happens (must clear through software); 0= Touch button detection over interrupt not happen.
Bit5	COMPIF: COMP interrupt flag bit 1= The COMP interrupt happens (must clear through software); 0= The COMP interrupt not happen.
Bit4	IICIF: IIC interrupt flag bit 1= The IIC interrupt condition is met. Before returning from the interrupt service program, it must clear through software. The conditions for making this bit 1 are: : <ul style="list-style-type: none"> - I²C slave/master control; - transmit/receive happens; - I²C master control; - The start condition that occurs is done by IIC mod; - The stop condition that occurs is completed by IIC mod; - The restart condition that occurs is done by IIC mod; - The respond condition that occurs is done by IIC mod; - The start condition occurs when the IIC mod is idle (multi-host system); - The stop condition occurs when the IIC mod is idle (multi-host system);. 0= No IIC interrupt condition is met.
Bit3	BCLIF: bus conflict interrupt flag bit; 1= When configured as I ² C master control mode, bus conflict happens in IIC; 0= No bus conflict.
Bit2	RCCIF: PORTC level change interrupt flag bit 1= PORTC level change interrupt happen (must clear through software); 0= PORTC level change interrupt not happen.
Bit1	RACIF: PORTA level change interrupt flag bit 1= PORTA level change interrupt happen (must clear through software); 0= PORTA level change interrupt not happen.
Bit0	LVDIF: LVD interrupt flag bit; 1= Supply voltage lower than setting voltage by LVD (must clear through software); 0= Supply voltage higher than setting voltage by LVD .

7.3 Protection Methods for Interrupt

After an interrupt request occurs and is responded, the program goes to 0004H to execute the interrupt sub-routine. Before responding to the interrupt, the contents of ACC and STATUS must be saved. The chip does not provide dedicated stack saving and unstack recovery instructions, and the user needs to protect ACC and STATUS by himself to avoid possible program operation errors after the interrupt ends.

Example: Stack protection for ACC and STATUS

	ORG	0000H	
	JP	START	;start of user program address
	ORG	0004H	
	JP	INT_SERVICE	;interrupt service program
	ORG	0008H	
START:			
	...		
	...		
INT_SERVICE:			
PUSH:			;entrance for interrupt service program, save ACC and STATUS
	LD	ACC_BAK, A	;save the value of ACC (ACC_BAK needs to be defined)
	SWAPA	STATUS	
	LD	STATUS_BAK, A	;save the value of STATUS (STATUS_BAK needs to be defined)
	...		
	...		
POP:			;exit for interrupt service program, restore ACC and STATUS
	SWAPA	STATUS_BAK	
	LD	STATUS, A	;restore STATUS
	SWAPR	ACC_BAK	;restore ACC
	SWAPA	ACC_BAK	
	RETI		

7.4 Interrupt Priority and Multi-Interrupt Nesting

The priority of each interrupt of the chip is equal. When an interrupt is in progress, it will not respond to the other interrupt. Only after the "RETI" instructions are executed, the next interrupt can be responded to.

When multiple interrupts occur at the same time, the MCU does not have a preset interrupt priority. First, the priority of each interrupt must be set in advance; second, the interrupt enable bit and the interrupt control bit are used to control whether the system responds to the interrupt. In the program, the interrupt control bit and interrupt request flag must be checked.

8. TIMER0

8.1 TIMER0 General

TIMER0 is composed of the following functions:

- 8-bit timer/counter register (TMR0);
- 8-bit pre-scaler (shared with watchdog timer);
- Programmable internal or external clock source;
- Programmable external clock edge selection;
- overflow interrupt.

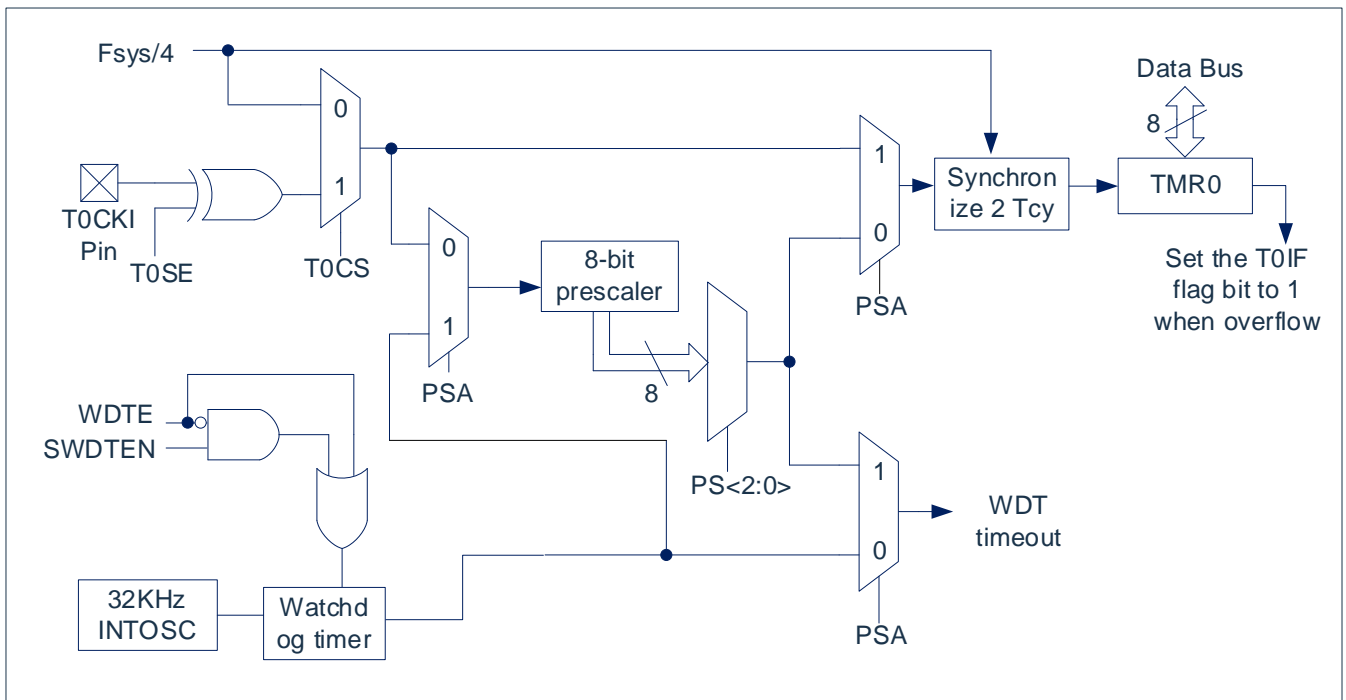


Fig 8-1: TIMER0/WDT mod structure

Note:

- 1) T0SE, T0CS, PSA, PS<2:0> are the bits in OPTION_REG register.
- 2) SWDTEN is a bit in the OSCCON register.
- 3) WDTE bit is in CONFIG.

8.2 Working Principle for TIMER0

The TIMER0 mod can be used as an 8-bit timer or an 8-bit counter.

8.2.1 8-bit Timer Mode

When used as a timer, the TIMER0 mod will be incremented every instruction period (without pre-scaler). The timer mode can be selected by clearing the T0CS bit of the OPTION_REG register to 0. If a write operation is performed to the TMR0 register, the next two Each instruction period will be prohibited from incrementing. The value written to the TMR0 register can be adjusted so that a delay of two instruction periods is included when writing TMR0.

8.2.2 8-bit Counter Mode

When used as a counter, the TIMER0 mod will increment on every rising or falling edge of the T0CKI pin. The incrementing edge depends on the T0SE bit of the OPTION_REG register. The counter mode can be selected by setting the T0CS bit of the OPTION_REG register to 1.

8.2.3 Software Programmable Pre-scaler

TIMER0 and watchdog timer (WDT) share a software programmable pre-scaler, but they cannot be used at the same time. The allocation of the pre-scaler is controlled by the PSA bit of the OPTION_REG register. To allocate the pre-scaler to TIMER0, the PSA bit must be cleared to 0.

TIMER0mod has 8 selections of prescaler ratio, ranging from 1:2 to 1:256. The prescaler ratio can be selected through the PS<2:0> bits of the OPTION_REG register. To make TIMER0 mod have a 1:1 prescaler, the pre-scaler must be assigned to the WDT mod.

The pre-scaler is not readable and writable. When the pre-scaler is assigned to the TIMER0 mod, all instructions written to the TMR0 register will clear the pre-scaler. When the pre-scaler is assigned to the WDT, the CLRWDT instructions will also clear the pre- scaler and WDT.

8.2.4 Switch Prescaler Between TIMER0 and WDT Module

After assigning the pre-scaler to TIMER0 or WDT, an unintentional device reset may occur when switching the prescaler. To change the pre-scaler from TIMER0 to WDT mod, the following instructions must be executed sequence.

Modify pre-scaler (TMR0-WDT)

CLRB	INTCON, GIE	; Turn off the interrupt enable bit to avoid entering the interrupt program when the following specific time series is executed
LDIA	B'00000111'	
ORR	OPTION_REG, A	;set pre-scaler to max. value
CLR	TMR0	;clear TMR0
SETB	OPTION_REG, PSA	;set pre-scaler allocate to WDT
CLRWDW		;clear WDT
LDIA	B'xxxx1xxx'	;set new pre-scaler
LD	OPTION_REG, A	
CLRWDW		;clear WDT
SETB	INTCON, GIE	;if the program needs to use interrupt, turn on the enable bit here

To change the pre-scaler from WDT to TIMER0 mod, the following sequence of instructions must be executed.

Modify pre-scaler (WDT-TMR0)

CLRWDW		;clear WDT
LDIA	B'00xx0xxx'	;set new pre-scaler
LD	OPTION_REG, A	

8.2.5 TIMER0 Interrupt

When the TMR0 register overflows from FFh to 00h, a TIMER0 interrupt is generated. Every time the TMR0 register overflows, regardless of whether TIMER0 interrupt is allowed, the TOIF interrupt flag bit of the INTCON register will be set to 1. The TOIF bit must be cleared in software. TIMER0 interrupt enable bit is the TOIE bit of the INTCON register.

Note: Because the timer is turned off in sleep mode, the TIMER0 interrupt cannot wake up the processor.

8.3 TIMER0 Related Register

There are two registers related to TIMER0, 8-bit timer/counter (TMR0), and 8-bit programmable control register (OPTION_REG).

TMR0 is an 8-bit readable and writable timer/counter, OPTION_REG is an 8-bit write-only register, the user can change the value of OPTION_REG to change the working mode of TIMER0, etc. Please refer to the application of 0 prescaler register (OPTION_REG).

8-bit timer/counter TMR0 (01H)

01H	Bit7	Bit6	Bit5	Bit4	Bit3	Bit2	Bit1	Bit0
TMR0								
R/W	R/W	R/W	R/W	R/W	R/W	R/W	R/W	R/W
Reset value	X	X	X	X	X	X	X	X

OPTION_REG register (81H)

81H	Bit7	Bit6	Bit5	Bit4	Bit3	Bit2	Bit1	Bit0
OPTION_REG	----	INTEDG	T0CS	T0SE	PSA	PS2	PS1	PS0
Read/write	----	R/W	R/W	R/W	R/W	R/W	R/W	R/W
Reset value	----	1	1	1	1	0	1	1

Bit7	Not used						
Bit6	INTEDG: Interrupt edge selection bit.						
	1= The rising edge of the INT pin triggers interrupt.						
	0= The falling edge of the INT pin triggers interrupt.						
Bit5	T0CS: TMR0 clock source selection bit.						
	1= Transition edge of T0CKI pin.						
	0= Internal instruction period clock (F_{CPU}).						
Bit4	T0SE: TIMER0 clock source edge selection bit.						
	1= Increment when the T0CKI pin signal transitions from high to low.						
	0= Increment when the T0CKI pin signal transitions from low to high.						
Bit3	PSA: pre-scaler allocation bit.						
	1= pre-scaler allocated to WDT.						
	0= pre-scaler allocated to TIMER0 mod.						
Bit2~Bit0	PS2~PS0: Pre-allocated parameter configuration bits.						
	PS2	PS1	PS0	TMR0 Frequency division ratio	WDT Frequency division ratio (WDT_DIV=DISABLE)	WDT Frequency division ratio (WDT_DIV=ENABLE)	
	0	0	0	1:2	1:1	1:3	
	0	0	1	1:4	1:2	1:6	
	0	1	0	1:8	1:4	1:12	
	0	1	1	1:16	1:8	1:24	
	1	0	0	1:32	1:16	1:48	
	1	0	1	1:64	1:32	1:96	
	1	1	0	1:128	1:64	1:192	
	1	1	1	1:256	1:128	1:384	

9. TIMER2

9.1 TIMER2 General

TIMER2 mod is an 8-bit timer/counter with the following characteristics:

- ◆ 8-bit timer register (TMR2);
- ◆ 8-bit period register (PR2);
- ◆ Interrupt when TMR2 matches PR2;
- ◆ Software programmable prescaler ratio (1:1, 1:4 and 1:16);
- ◆ Software programmable postscaler ratio (1:1 to 1:16).

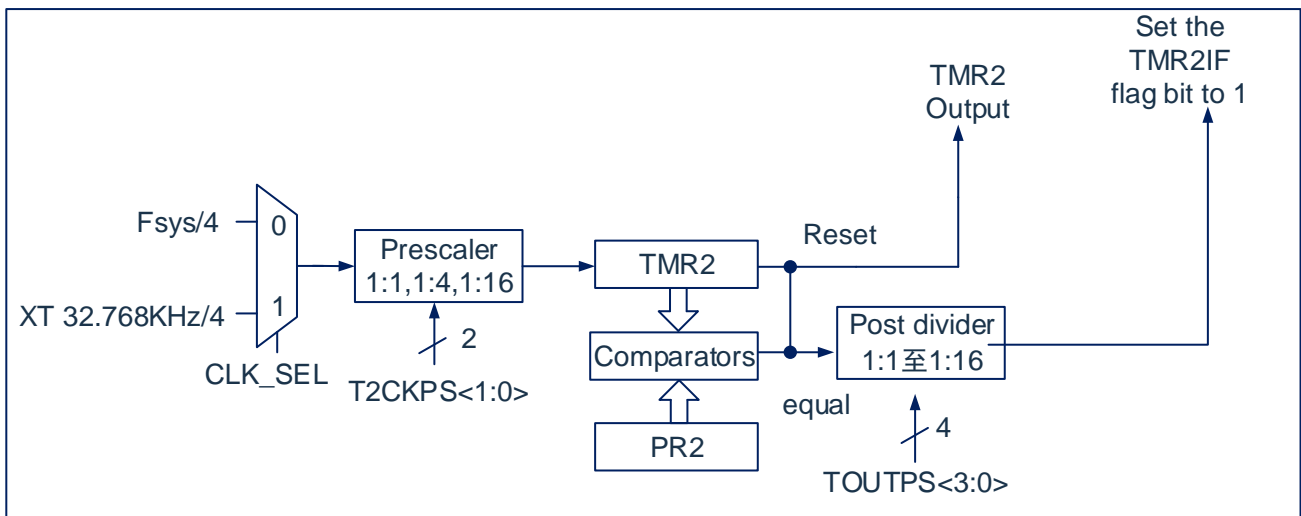


Fig 9-1: TIMER2 structure

9.2 Working Principle of TIMER2

The input clock of the TIMER2 mod is the system instruction clock (F_{CPU}) or the external oscillator (32.768kHz). The clock is input to the TIMER2 pre-scaler. There are several division ratios to choose from: 1:1, 1:4 or 1:16. pre-scaler the output is then used to increment TMR2 register.

Continue to compare the values of TMR2 and PR2 to determine when they match. TMR2 will increase from 00h until it matches the value in PR2. When a match occurs, the following two events will occur:

- TMR2 is reset to 00h in the next increment period;
- TIMER2 post-scaler increments.

The matching output of the TIMER2 and PR2 comparator is then input to the post-scaler of TIMER2. The post-scaler has a prescaler ratio of 1:1 to 1:16 to choose from. The output of the TIMER2 post-scaler is used to make PIR1 The TMR2IF interrupt flag bit of the register is set to 1.

Both TMR2 and PR2 registers can be read and written. At any reset, TMR2 register is set to 00h and PR2 register is set to FFh.

Enable TIMER2 by setting the TMR2ON bit of the T2CON register; disable TIMER2 by clearing the TMR2ON bit.

The TIMER2 pre-scaler is controlled by the T2CKPS bit of the T2CON register; the TIMER2 postscaler is controlled by the TOUTPS bit of the T2CON register.

The pre-scaler and postscaler counters are cleared under the following conditions:

- TMR2 write operation
- T2CON write operation
- Any device reset occurs (power-on reset, watchdog timer reset, or under voltage reset).

Note: Writing T2CON will not clear TMR2.

9.3 TIMER2 related register

There are 2 registers related to TIMER2, namely data memory TMR2 and control register T2CON.

TIMER2 data register TMR2 (11H)

11H	Bit7	Bit6	Bit5	Bit4	Bit3	Bit2	Bit1	Bit0
TMR2								
R/W	R/W	R/W	R/W	R/W	R/W	R/W	R/W	R/W
Reset value	X	X	X	X	X	X	X	X

TIMER2 control register T2CON (12H)

12H	Bit7	Bit6	Bit5	Bit4	Bit3	Bit2	Bit1	Bit0
T2CON	CLK_SEL	TOUTPS3	TOUTPS2	TOUTPS1	TOUTPS0	TMR2ON	T2CKPS1	T2CKPS0
Read write	R/W	R/W	R/W	R/W	R/W	R/W	R/W	R/W
Reset value	0	0	0	0	0	0	0	0

Bit7	CLK_SEL:	Choice of clock source 1= External 32.768kHz /4 as TMR2 clock source (can continue to count in sleep state); 0= Internal F _{CPU} as TMR2 clock source
Bit6~Bit3	TOUTPS<3:0>:	TIMER2 output frequency division ratio selection bit. 0000= 1:1; 0001= 1:2; 0010= 1:3; 0011= 1:4; 0100= 1:5; 0101= 1:6; 0110= 1:7; 0111= 1:8; 1000= 1:9; 1001= 1:10; 1010= 1:11; 1011= 1:12; 1100= 1:13; 1101= 1:14; 1110= 1:15; 1111= 1:16.
Bit2	TMR2ON:	TIMER2 enable bit; 1= Enable TIMER2; 0= Disable TIMER2.
Bit1~Bit0	T2CKPS<1:0>:	TIMER2 clock frequency division ratio selection bit; 00= 1; 01= 4; 1x= 16.

10. Analog to Digital Conversion (ADC)

10.1 ADC general

The analog-to-digital converter (ADC) can convert the analog input signal into a 12-bit binary number that represents the signal. The analog input channels used by the device share a sample and hold circuit. The output of the sample and hold circuit is connected to the input of the analog to digital converter. The analog-to-digital converter uses the successive approximation method to generate a 12-bit binary result, and save the result in the ADC result register (ADRESL and ADRESH).

ADC reference voltage is always generated internally. ADC can generate an interrupt after conversion is completed.

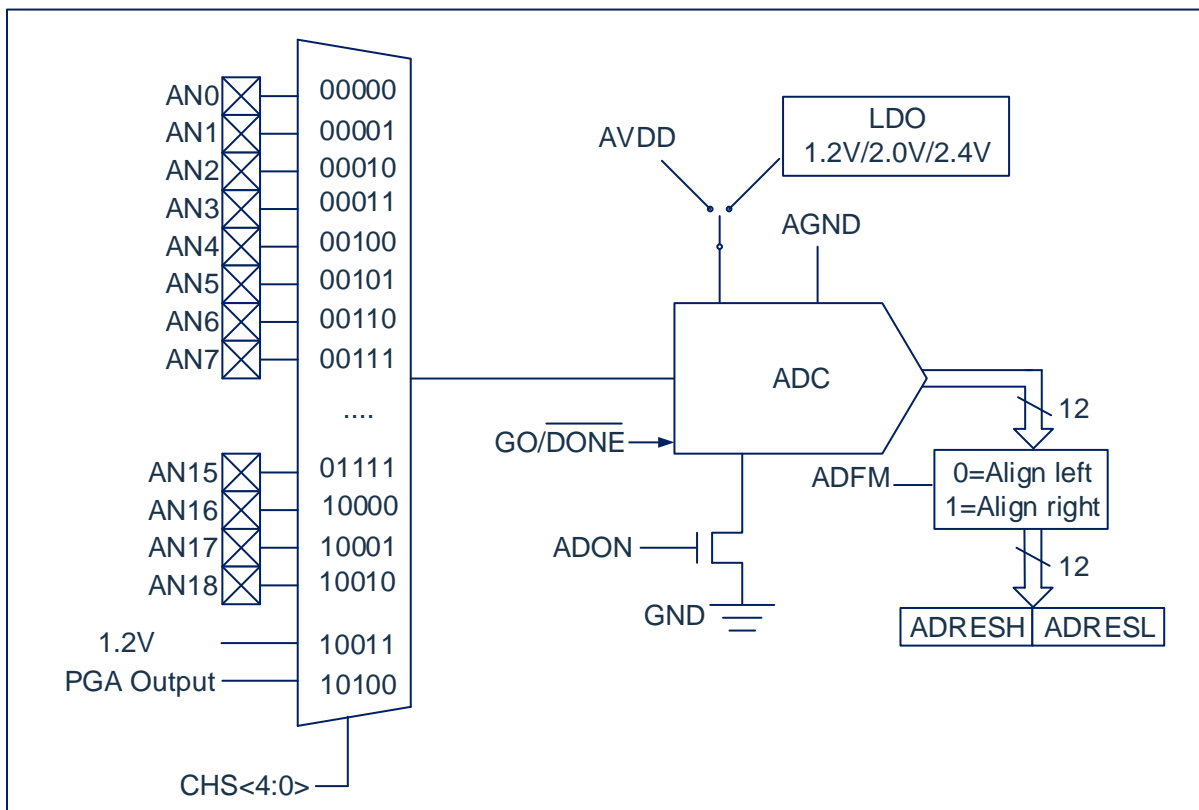


Fig 10-1: ADC structure

10.2 ADC configuration

When configuring and using ADC, the following factors must be considered:

- ◆ Port configuration;
- ◆ Reference voltage selection;
- ◆ Channel selection;
- ◆ ADC conversion clock source;
- ◆ Interrupt control;
- ◆ The storage format of the result.

10.2.1 Port configuration

ADC can convert both analog signal and digital signal. When converting analog signal, the I/O pin should be configured as analog input pin by setting the corresponding TRIS bit to 1. For more information, please refer to the corresponding port chapter.

Note: Applying analog voltage to pins defined as digital inputs may cause overcurrent in the input buffer.

10.2.2 Channel selection

The CHS bit of the ADCON0 register determines which channel is connected to the sample and hold circuit.

If the channel is changed, a certain delay will be required before the next conversion starts. For more information, please refer to the "ADC working principle" chapter.

10.2.3 ADC internal base voltage

Built-in base voltage, the CHS [4:0] should be configured as 10011 when this voltage needs to be detected.

10.2.4 ADC reference voltage

The ADC reference voltage can be provided by internal LDO or the chip's VDD and GND. 1.2V/2.0V/2.4V can be selected as the reference voltage. Needing to select a lower convert clock if internal reference voltage is selected, see the "Converter clock".

Note: The effective accuracy of the ADC will decrease if reference voltage is provided by internal LDO. The lower detected voltage, the higher accuracy of the ADC will be obtained. It is recommended that the input voltage set to lower than 1V.

10.2.5 Converter clock

The ADCS bit of the ADCON0 and ADCON1 register can be set by software to select the clock source for conversion. There are 7 possible clock frequencies to choose from:

- ◆ $F_{HSI} / 2$ ◆ $F_{HSI} / 32$
- ◆ $F_{HSI} / 4$ ◆ $F_{HSI} / 64$
- ◆ $F_{HSI} / 8$ ◆ $F_{HSI} / 128$
- ◆ $F_{HSI} / 16$

The time to complete one-bit conversion is defined as TAD. A complete 12-bit conversion requires 16 TAD periods.

Must comply with the corresponding TAD specification to get the correct conversion result. The following table is an example of correct selection of ADC clock.

Relationship between period of ADC clock (TAD) and the operating frequency of device (VDD=3.3V).

Period of ADC clock		Once AD conversion time	
ADC clock source	ADCS<2:0>	$F_{HSI} = 16\text{MHz}$	$F_{HSI} = 8\text{MHz}$
$F_{HSI} / 2$	001	2 μs	4 μs
$F_{HSI} / 4$	010	4 μs	8 μs
$F_{HSI} / 8$	011	8 μs	16 μs
$F_{HSI} / 16$	100	16 μs	32 μs
$F_{HSI} / 32$	101	32 μs	64 μs
$F_{HSI} / 64$	110	64 μs	128 μs
$F_{HSI} / 128$	111	128 μs	256 μs

Note: It is recommended not to use the values in the shaded table.

For different reference voltages and different VDDs, please refer to the following table to set a reasonable frequency division.

Reference voltage (V)	Operating voltage (V)	Fastest frequency division setting		Conversion rate (ksps)
		$F_{HSI} = 16\text{MHz}$	$F_{HSI} = 8\text{MHz}$	
VDD	2.6~3.6	$F_{HSI} / 4$	$F_{HSI} / 2$	250
VDD	1.8~2.6	$F_{HSI} / 8$	$F_{HSI} / 4$	125
2.4	2.6~3.6	$F_{HSI} / 8$	$F_{HSI} / 4$	125
2.4	1.8~2.6	$F_{HSI} / 16$	$F_{HSI} / 8$	62.5
2.0	2.6~3.6	$F_{HSI} / 8$	$F_{HSI} / 4$	125
2.0	1.8~2.6	$F_{HSI} / 16$	$F_{HSI} / 8$	62.5
1.2	2.6~3.6	$F_{HSI} / 64$	$F_{HSI} / 32$	15.6
1.2	1.8~2.6	$F_{HSI} / 128$	$F_{HSI} / 64$	7.8

10.2.6 ADC Interrupt

ADC mod allows an interrupt to be generated after the completion of the analog-to-digital conversion. The ADC interrupt flag bit is the ADIF bit in PIR1 register. The ADC interrupt enable bit is the ADIE bit in PIE1 register. The ADIF bit must be cleared by software. The ADIF bit after each conversion is completed Will be set to 1, regardless of whether ADC interrupt is allowed.

10.2.7 Output Formatting

The result of 12-bit A/D conversion can be in two formats: left-justified or right-justified. The output format is controlled by the ADFM bit in ADCON1 register.

When ADFM=0, the AD conversion result is left aligned and the AD conversion result is 12Bit; when ADFM=1, the AD conversion result is right aligned, and the AD conversion result is 10 Bit.

10.3 ADC working principle

10.3.1 Start conversion

To enable ADC mod, you must set the ADON bit of the ADCON0 register to 1, and set the GO/\overline{DONE} bit of the ADCON0 register to 1 to start analog-to-digital conversion.

Note: It is not possible to set GO/\overline{DONE} position to 1 with the same instructions that open A/D mod.

10.3.2 Complete conversion

When the conversion is complete, the ADC mod will:

- Clear the GO/\overline{DONE} bit;
- Set ADIF flag bit to 1;
- Update the ADRESH: ADRESL register with the new conversion result.

10.3.3 Stop conversion

If you must terminate the conversion before conversion is completed, you can use software to clear the GO/\overline{DONE} bit. The ADRESH: ADRESL register will not be updated with the uncompleted analog-to-digital conversion result. Therefore, the ADRESH: ADRESL register will remain on the value obtained by the second conversion. In addition, after the A/D conversion is terminated, a delay of 2 TAD must be passed before the next acquisition can be started. After the delay, the input signal of the selected channel will automatically start to be collected.

Note: Device reset will force all registers to enter the reset state. Therefore, reset will shut down the ADC module and terminate any pending conversions.

10.3.4 Working principle of ADC in sleep mode

The ADC module can't continue to work in sleep mode.

10.3.5 A/D conversion procedure

The following steps give an example of using ADC for analog-to-digital conversion:

1. port configuration:
 - Disable pin output driver (see TRIS register);
 - Configure pin as analog input pin.
2. configuration ADC mod:
 - Select ADC reference voltage (AD conversion must be wait for up to 100us if the reference voltage switches from VDD to internal LDO);
 - Select ADC conversion clock;
 - Select ADC input channel;
 - Choose the format of the result;
 - Start the ADC mod.
3. configuration ADC interrupt (optional):
 - Clear ADC interrupt flag bit;
 - Allow ADC interrupt;
 - Allow peripherals interrupt;
 - Allow global interrupt.
4. Wait for the required acquisition time.
5. Set GO/ $\overline{\text{DONE}}$ to 1 to start conversion.
6. Wait for the ADC conversion to end by one of the following methods:
 - Query GO/ ($\overline{\text{DONE}}$) bit
 - Wait for ADC interrupt (allow interrupt).
7. Read ADC results.
8. Clear the ADC interrupt flag bit (if interrupt is allowed, this operation is required).
9. At least wait for 2 TAD times to start AD conversion again When GO/ ($\overline{\text{DONE}}$) bit change from 1 to 0 or ADIF change from 0 to 1.

Note: If the user tries to resume sequential code execution after waking the device from sleep mode, the global interrupt must be disabled.

example: AD conversion

LDIA	B'10000000'	
LD	ADCON1, A	
SETB	TRISA, 0	;set PORTA.0 as input
LDIA	B'11000001'	
LD	ADCON0, A	
CALL	DELAY	;delay
SETB	ADCON0, GO	
SZB	ADCON0, GO	;wait ADC to complete
JP	\$-1	
LD	A, ADRESH	;save the highest bit of ADC
LD	RESULTH, A	
LD	A, ADRESL	; save the lowest bit of ADC
LD	RESULTL, A	

10.4 ADC Related Register

There are mainly 4 registers related to AD conversion, namely control register ADCON0 and ADCON1, data register ADRESH and ADRESL.

AD control register ADCON0 (9DH)

9DH	Bit7	Bit6	Bit5	Bit4	Bit3	Bit2	Bit1	Bit0
ADCON0	ADCS1	ADCS0	CHS3	CHS2	CHS1	CHS0	GO/DONE	ADON
Read/write	R/W	R/W	R/W	R/W	R/W	R/W	R/W	R/W
Reset value	0	0	0	0	0	0	0	0

Bit7~Bit6 ADCS<1:0>: A/D conversion clock selection bit.

ADCS<2:0> ADCS2 in ADCON1 register

000= Reserved

001= $F_{HSI} / 2$

010= $F_{HSI} / 4$

011= $F_{HSI} / 8$

100= $F_{HSI} / 16$

101= $F_{HSI} / 32$

110= $F_{HSI} / 64$

111= $F_{HSI} / 128$

Bit5~Bit2 CHS<3:0>: Analog channel selection bit.

CHS<4:0> CHS4 in ADCON1 register

00000= AN0

00001= AN1

00010= AN2

00011= AN3

... ..

10000= AN16

10001= AN17

10010= AN18

10011= Fixed reference voltage (1.2V)

10100= PGA output voltage

Other= Reserved

Bit1 GO/DONE: A/D conversion status bit.

1= A/D conversion is in progress. Set this bit to 1 to start A/D conversion. When A/D conversion is completed, this bit is automatically cleared by hardware.

At least wait for 2 TAD times to start AD conversion again when GO/DONE bit change from 1 to 0 or ADIF change from 0 to 1.

0= A/D conversion complete or not in progress.

Bit0 ADON: ADC enable bit.

1= Enable ADC;

0= Disable ADC, not consuming current.

AD data register high bit ADCON1 (9CH)

9CH	Bit7	Bit6	Bit5	Bit4	Bit3	Bit2	Bit1	Bit0
ADCON1	ADFM	CHS4	ADCS2	---	---	LDO_EN	LDO_SEL 1	LDO_SEL 0
Read/write	R/W	R/W	R/W	---	---	R/W	R/W	R/W
Reset value	0	0	0	---	---	0	0	0

- Bit7 ADFM: A/D conversion result format selection bit
 1= Right alignment
 0= left alignment
- Bit6 CHS4: Combine with CHS<3:0> in ADCON0
- Bit5 ADCS2: Combine with ADCS<1:0> in ADCON0
- Bit4~Bit3 Not used, read
 0
- Bit2 LDO_EN: Internal reference voltage enable bit
 1= Enable internal LDO as ADC reference voltage
 The maximum effective accuracy of ADC is 8 bits when the internal do is selected
 as reference voltage
 0= VDD as ADC reference voltage
- Bit1~Bit0 LDO_SEL<1:0>: Reference voltage selection
 00= 1.2V
 01= 2V
 10= 2.4V
 11= 2.4V

AD data register high bit ADRESH (9EH), ADFM=0

9EH	Bit7	Bit6	Bit5	Bit4	Bit3	Bit2	Bit1	Bit0
ADRESH	ADRES11	ADRES10	ADRES9	ADRES8	ADRES7	ADRES6	ADRES5	ADRES4
read/write	R	R	R	R	R	R	R	R
Reset value	X	X	X	X	X	X	X	X

- Bit7~Bit0 ADRES<11:4>: ADC result register bit.
 The higher 8 bits of the 12-bit conversion result.

AD data register lower bit ADRESL (9FH), ADFM=0

9FH	Bit7	Bit6	Bit5	Bit4	Bit3	Bit2	Bit1	Bit0
ADRESL	ADRES3	ADRES2	ADRES1	ADRES0	----	----	----	----
read/write	R	R	R	R	----	----	----	----
Reset value	X	X	X	X	----	----	----	----

- Bit7~Bit4 ADRES<3:0>: ADC result register bit.
 The lower 4 bits of the 12-bit conversion result.
- Bit3~Bit0 Not used

AD data register high bit ADRESH (9EH), ADFM=1

9EH	Bit7	Bit6	Bit5	Bit4	Bit3	Bit2	Bit1	Bit0
ADRESH	----	----	----	----	----	----	ADRES11	ADRES10
read/write	----	----	----	----	----	----	R	R
Reset value	----	----	----	----	----	----	X	X

Bit7~Bit2 Not used.

Bit1~Bit0 ADRES<11:10>: ADC result register bit.

 The higher 2 bits of the 12-bit conversion result.

AD data register lower bits ADRESL (9FH), ADFM=1

9FH	Bit7	Bit6	Bit5	Bit4	Bit3	Bit2	Bit1	Bit0
ADRESL	ADRES9	ADRES8	ADRES7	ADRES6	ADRES5	ADRES4	ADRES3	ADRES2
read/write	R	R	R	R	R	R	R	R
Reset value	X	X	X	X	X	X	X	X

Bit7~Bit0 ADRES<9:2>: ADC result register bit.

 The 2-9 bits of the 12-bit conversion result.

Note: In the case of ADFM=1, the AD conversion result only saves the upper 10 bits of the 12-bit result, where ADRESH saves the upper 2 bits, and ADRESL saves the 2nd to 9th digits.

11. PWM Mod

A programmable PWM module with 10-bit width in chip, which can be configured as 4 channels of common period, independent duty cycle output and 1 channel of independent output, or 2 pairs of complementary outputs and 1 channel of independent output.

The PWM output can be selected as RA1-RA5 or RA5-RA7、RB5、RB4 or RB0-RB4 through config. Among them, PWM0/PWM1 and PWM2/PWM3 can be configured as complementary outputs.

11.1 Pin configuration

The corresponding PWM pin should be configured as output by setting the corresponding TRIS control bit to 0.

11.2 PWM Related Register

PWM control register PWMCON0 (13H)

13H	Bit7	Bit6	Bit5	Bit4	Bit3	Bit2	Bit1	Bit0
PWMCON0	CLKDIV[2:0]			PWM4EN	PWM3EN	PWM2EN	PWM1EN	PWM0EN
R/W	R/W	R/W	R/W	R/W	R/W	R/W	R/W	R/W
Reset value	0	0	0	0	0	0	0	0

Bit7~5 CYC2EN: PWM clock division.

111= $F_{HSI}/128$

110= $F_{HSI}/64$

101= $F_{HSI}/32$

100= $F_{HSI}/16$

011= $F_{HSI}/8$

010= $F_{HSI}/4$

001= $F_{HSI}/2$

000= $F_{HSI}/1$

Bit4~Bit0 PWMxEN: PWMx enable bit.

1= Enable PWMx

0= Disable PWMx

PWM control register PWMCON1 (14H)

14H	Bit7	Bit6	Bit5	Bit4	Bit3	Bit2	Bit1	Bit0
PWMCON1	PWMIO_SEL[1:0]		PWM2DTEN	PWM0DTEN	---	---	DT_DIV[1:0]	
R/W	R/W	R/W	R/W	R/W	---	---	R/W	R/W
Reset value	0	0	0	0	---	---	0	0

Bit7~6 PWMIO_SEL[1:0]: PWM IO selection

11= PWM assigned to group A, PWM0-RA0, PWM1-RA1, PWM2-RA2, PWM3-RA3, PWM4-RA4

10= PWM assigned to group B, PWM0-RA0, PWM1-RA1, PWM2-RA2, PWM3-RB2, PWM4-RB1

01= PWM assigned to group C, PWM0-RA5, PWM1-RA6, PWM2-RB6, PWM3-RB5, PWM4-RB4

00= PWM assigned to group D, PWM0-RB0, PWM1-RB1, PWM2-RB3, PWM3-RB4, PWM4-RB2

Bit5 PWM2DTEN: PWM2 dead-time enable bit

1= Enable PWM2 dead-time function, PWM2 and PWM3 compose one pair of complementary outputs.

0= Disable PWM2 dead-time function.

Bit4 PWM0DTEN: PWM0 dead-time enable bit

1= Enable PWM0 dead-time function, PWM0 and PWM1 compose one pair of complementary outputs.

0= Disable PWM0 dead-time function.

Bit3 Not used.

Bit5 DT_DIV[1:0]: Dead-time source clock division

 11= $F_{HSI}/8$

 10= $F_{HSI}/4$

 01= $F_{HSI}/2$

 00= $F_{HSI}/1$

PWM control register PWMCON2 (1DH)

1DH	Bit7	Bit6	Bit5	Bit4	Bit3	Bit2	Bit1	Bit0
PWMCON2	---	---	---	PWM4DIR	PWM3DIR	PWM2DIR	PWM1DIR	PWM0DIR
R/W	---	---	---	R/W	R/W	R/W	R/W	R/W
Reset value	---	---	---	0	0	0	0	0

Bit7~Bit5 Not used.

Bit4~Bit0 PWMxDIR: PWMx output inversion control bit

1= PWMx output inversion

0= PWMx output ordinary

PWM0~PWM3 lower bit of period register PWMTL (15H)

15H	Bit7	Bit6	Bit5	Bit4	Bit3	Bit2	Bit1	Bit0
PWMTL	PWMT[7:0]							
R/W	R/W	R/W	R/W	R/W	R/W	R/W	R/W	R/W
Reset value	0	0	0	0	0	0	0	0

Bit7~Bit0 PWMT[7:0]: Lower 8 bits of PWM0~PWM3 period register

PWM4 lower bit of period register PWM4TL (1EH)

1EH	Bit7	Bit6	Bit5	Bit4	Bit3	Bit2	Bit1	Bit0
PWMTL	PWM4T[7:0]							
R/W	R/W	R/W	R/W	R/W	R/W	R/W	R/W	R/W
Reset value	0	0	0	0	0	0	0	0

Bit7~Bit0 PWM4T[7:0]: Lower 8 bits of PWM4 period register

PWM higher bit of period register PWMTH (16H)

16H	Bit7	Bit6	Bit5	Bit4	Bit3	Bit2	Bit1	Bit0
PWMTH	---	---	PWMD4[9:8]		PWM4T[9:8]		PWMT[9:8]	
R/W	---	---	R/W	R/W	R/W	R/W	R/W	R/W
Reset value	---	---	0	0	0	0	0	0

Bit7~Bit6 Not used.

Bit5~Bit4 PWMD4[9:8]: Higher 2 bits of PWM4 duty register

Bit3~Bit2 PWM4T[9:8]: Higher 2 bits of PWM4 period register

Bit1~Bit0 PWMT[9:8]: Higher 2 bits of PWM0~PWM3 period register

Note: Writing to PWMD4[9:8] does not take effect immediately, it takes effect after writing to PWMD4L.

PWM0 lower bit of duty register PWMD0L (17H)

17H	Bit7	Bit6	Bit5	Bit4	Bit3	Bit2	Bit1	Bit0
PWMD0L	PWMD0[7:0]							
R/W	R/W	R/W	R/W	R/W	R/W	R/W	R/W	R/W
Reset value	0	0	0	0	0	0	0	0

Bit7~Bit0 PWMD0[7:0]: PWM0 lower bit of duty register.

PWM1 lower bit of duty register PWMD1L (18H)

18H	Bit7	Bit6	Bit5	Bit4	Bit3	Bit2	Bit1	Bit0
PWMD1L	PWMD1[7:0]							
R/W	R/W	R/W	R/W	R/W	R/W	R/W	R/W	R/W
Reset value	0	0	0	0	0	0	0	0

Bit7~Bit0 PWMD1[7:0]: PWM1 lower bit of duty register.

PWM2 lower bit of duty register PWMD2L (19H)

19H	Bit7	Bit6	Bit5	Bit4	Bit3	Bit2	Bit1	Bit0
PWMD2L	PWMD2[7:0]							
R/W	R/W	R/W	R/W	R/W	R/W	R/W	R/W	R/W
Reset value	0	0	0	0	0	0	0	0

Bit7~Bit0 PWMD2[7:0]: PWM2 lower bit of duty register.

PWM3 lower bit of duty register PWMD3L (1AH)

1AH	Bit7	Bit6	Bit5	Bit4	Bit3	Bit2	Bit1	Bit0
PWMD3L	PWMD3[7:0]							
R/W	R/W	R/W	R/W	R/W	R/W	R/W	R/W	R/W
Reset value	0	0	0	0	0	0	0	0

Bit7~Bit0 PWMD3[7:0]: PWM3 lower bit of duty register.

PWM4 lower bit of duty register PWMD4L (1BH)

1BH	Bit7	Bit6	Bit5	Bit4	Bit3	Bit2	Bit1	Bit0
PWMD4L	PWMD4[7:0]							
R/W	R/W	R/W	R/W	R/W	R/W	R/W	R/W	R/W
Reset value	0	0	0	0	0	0	0	0

Bit7~Bit0 PWMD4[7:0]: PWM4 lower bit of duty register.

PWM0/PWM1 higher bit of duty register PWMD01H (1CH)

1CH	Bit7	Bit6	Bit5	Bit4	Bit3	Bit2	Bit1	Bit0
PWMD01H	---	---	PWMD1[9:8]		---	---	PWMD0[9:8]	
R/W	---	---	R/W	---	---	---	R/W	R/W
Reset value	---	---	0	---	---	---	0	0

Bit7~Bit6 Not used.

Bit5~Bit4 PWMD1[9:8]: PWM1 higher 2 bits of duty register.

Bit3~Bit2 Not used.

Bit1~Bit0 PWMD0[9:8]: PWM0 higher 2 bits of duty register.

Note: Writing to PWMD1[9:8] does not take effect immediately, it takes effect after writing to PWMD1L.
Writing to PWMD0[9:8] does not take effect immediately, it takes effect after writing to PWMD0L.

PWM2/PWM3 higher bit of duty register PWMD23H (0EH)

0EH	Bit7	Bit6	Bit5	Bit4	Bit3	Bit2	Bit1	Bit0
PWMD23H	---	---	PWMD3[9:8]		---	---	PWMD2[9:8]	
R/W	---	---	R/W	---	---	---	R/W	R/W
Reset value	---	---	0	---	---	---	0	0

Bit7~Bit6 Not used.

Bit5~Bit4 PWMD3[9:8]: PWM3 higher 2 bits of duty register.

Bit3~Bit2 Not used.

Bit1~Bit0 PWMD2[9:8]: PWM2 higher 2 bits of duty register.

Note: Writing to PWMD3[9:8] does not take effect immediately, it takes effect after writing to PWMD3L. Writing to PWMD2[9:8] does not take effect immediately, it takes effect after writing to PWMD2L.

PWM0/PWM1 dead-time register PWM01DT (0FH)

0FH	Bit7	Bit6	Bit5	Bit4	Bit3	Bit2	Bit1	Bit0
PWM01DT	---	---	PWM01DT[5:0]					
R/W	---	---	R/W	R/W	R/W	R/W	R/W	R/W
Reset value	---	---	0	0	0	0	0	0

Bit7~Bit6 Not used.

Bit5~Bit0 PWM01DT[5:0]: PWM0/PWM1 dead-time register.

PWM2/PWM3 dead-time register PWM23DT (10H)

10H	Bit7	Bit6	Bit5	Bit4	Bit3	Bit2	Bit1	Bit0
PWM23DT	---	---	PWM23DT[5:0]					
R/W	---	---	R/W	R/W	R/W	R/W	R/W	R/W
Reset value	---	---	0	0	0	0	0	0

Bit7~Bit6 Not used.

Bit5~Bit0 PWM23DT[5:0]: PWM2/PWM3 dead-time register.

11.3 Sequence of PWM register write operation

Since the 10-bit PWM duty cycle value is allocated in two registers, when modifying the duty cycle, the program always modifies these two registers one after the other. In order to ensure the correctness of the duty cycle value, a cache loading function is designed inside the chip. Operating the 10-bit duty cycle value must strictly follow the following sequence:

- 1) Writing higher 2 bits of the duty cycle. At this time, the value of the higher 2 bits is only written into the internal cache.
- 2) Writing lower 8 bits of the duty cycle. At this time, the complete 10-bit duty cycle value is latched.

11.4 PWM Period

The PWM period is specified by writing the PWMTL and PWMTL register.

Formula 1: PWM period:

$$\text{PWM period} = [(PWMT) + 1] * T_{osc} * (\text{CLKDIV prescaler value})$$

Note: $T_{osc} = 1/F_{HSI}$

When PWM period counter is equal to PWMT, the following five events will occur in the next up-counting period:

- ◆ PWM period counter is cleared;
- ◆ PWMx pin is set to 1;
- ◆ New period of PWM is latched;
- ◆ New duty of PWMx is latched;
- ◆ Generating the PWM interrupt flag bit.

11.5 PWM Duty Cycle

The PWM duty cycle can be specified by writing a 10-bit value to the following multiple registers: the PWMDxL register and PWMDxxH register.

You can write the PWMDxL and PWMDxxH register at any time, but until the values in PWM period counter and PWMT match (that is, the period ends), the value of the duty cycle is latched into internal latch.

Formula 2: Pulse width calculation formula:

$$\text{pulse width} = (PWMDx[9:0] + 1) * T_{osc} * (\text{CLKDIV prescaler value})$$

Formula 3: PWM duty cycle calculation formula:

$$\text{duty cycle} = \frac{PWMDx[9:0] + 1}{PWMT[9:0] + 1}$$

Internal chip is used to provide double buffering for the PWM duty cycle and period. This double buffering structure is extremely important to avoid glitches during the PWM operation.

11.6 System Clock Frequency Changes

The PWM frequency is generated by the system clock frequency. Any change in the system clock frequency will not change the PWM frequency.

11.7 Programmable dead-time delay mode

Complementary output mode can be enabled by configured PWMxDT_EN, and the dead-time delay function is enabled automatically after enable complementary output mode.

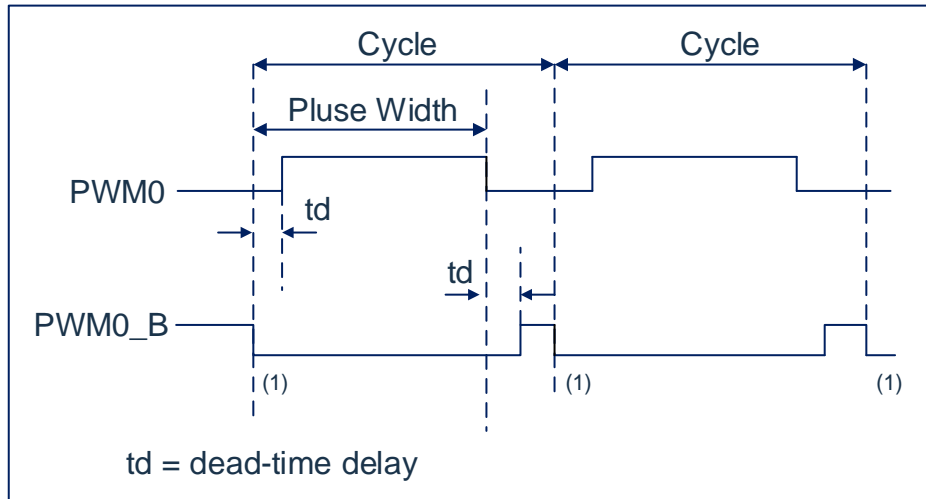


Fig 11-1: Sample of PWM dead-time delay output

Dead-time calculation formula:

$$td = (PWMxxDT[5:0] + 1) * T_{osc} * (DT_DIV \text{ prescaler value})$$

11.8 Configure PWM

The following steps should be performed when configuring PWM mod:

1. Configure the PWMIOSx register to select the PWM output IO port.
2. Disable the output driver of PWM pin by setting the corresponding TRIS bit to 1 to make it an input pin.
3. Set the PWM period by loading the PWMTH and PWMTL register.
4. Set the PWM duty cycle by loading the PWMDxL register and PWMDxxH register.
5. Set the PWM dead-time by setting the PWMCON1[6:5] and loading PWMxxDT register if complementary output mode is required.
6. Clear the PWMIF flag bit.
7. Enable corresponding output by setting the PWMCN0[4:0].
8. After the new PWM period starts, enable PWM output:
 - Wait for PWMIF set to 1.
 - Enable the PWM pin output driver by clearing the corresponding TRIS bit.

12. Program EEPROM and Program Memory Control

12.1 General

The devices in this series have 4K words of program memory, the address range is from 0000h to 0FFFh, which is read-only in all address ranges; the device has a 128-byte program EEPROM, and the address range is 0000h to 007Fh, which is available in all address ranges. It can be read/write.

These memories are not directly mapped to the register file space, but indirectly addressed through the special function register (SFR). A total of 6 SFR registers are used to access these memories:

- EECON1
- EECON2
- EEDAT
- EEDATH
- EEADR
- EEADRH

When accessing the program EEPROM, the EEDAT register stores 8-bit read/write data, and the EEADR register stores the address of the program EEPROM unit being accessed.

When accessing the program memory of the device, the EEDAT and EEDATH register form a double byte word to save the 16-bit data to be read, and the EEADR and EEADRH register form a double byte word to save the 12-bit EEPROM cell address to be read.

Program memory allows reading in units of bytes. Program EEPROM allows byte read/write. A byte write operation can automatically erase the target cell and write new data (erase before writing).

The writing time is controlled by the on-chip timer. The writing and erasing voltages are generated by the on-chip charge pump, which is rated to work within the voltage range of the device for byte or word operations.

When the device is protected by code, the CPU can still continue to read/write the program EEPROM and program memory. When the code is protected, the device programmer will no longer be able to access the program EEPROM or program memory.

12.2 Related Register

12.2.1 EEADR and EEADRH Register

The EEADR and EEADRH registers can address up to 128 bytes of program EEPROM or up to 4K bytes of program memory.

When the program memory address value is selected, the high byte of the address is written into the EEADRH register and the low byte is written into the EEADR register. When the program EEPROM address value is selected, only the low byte of the address is written into the EEADR register.

12.2.2 EECON1 and EECON2 Register

EECON1 is the control register to access the program EEPROM.

The control bit EEPGD determines whether to access program memory or program EEPROM. When this bit is cleared, as with reset, any subsequent operations will be performed on the program EEPROM. When this bit is set to 1, any subsequent operations will be performed on the program memory. Program memory is read-only.

The control bits RD and WR start reading and writing respectively. Software can only set these bits to 1 and cannot be cleared. After the read or write operation is completed, they are cleared by hardware. Since the WR bit cannot be cleared by software, it can be used to avoid accidentally terminating write operations prematurely.

-When WREN is set to 1, the program EEPROM is allowed to be written. When power is on, the WREN bit is cleared. When the normal write operation is LVR reset or WDT timeout reset interrupt, the WRERR bit will be set to 1. In these cases, after reset, the user can check the WRERR bit and rewrite the corresponding unit.

-When the write operation is completed, the interrupt flag bit EEIF in the PIR1 register is set to 1. This flag bit must be cleared by software.

EECON2 is not a physical register. Reading result of EECON2 is all 0.

The EECON2 register is only used when executing the program EEPROM write sequence.

EEPROM data register EEDAT (8EH)

8EH	Bit7	Bit6	Bit5	Bit4	Bit3	Bit2	Bit1	Bit0
EEDAT	EEDAT7	EEDAT6	EEDAT5	EEDAT4	EEDAT3	EEDAT2	EEDAT1	EEDAT0
read/write	R/W	R/W	R/W	R/W	R/W	R/W	R/W	R/W
Reset value	X	X	X	X	X	X	X	X

Bit7~Bit0 EEDAT<7:0>: To read or write the lower 8 bits of data from the program EEPROM, or read the lower 8 bits of data from the program memory.

EEPROM address register EEADR (90H)

90H	Bit7	Bit6	Bit5	Bit4	Bit3	Bit2	Bit1	Bit0
EEADR	EEADR7	EEADR6	EEADR5	EEADR4	EEADR3	EEADR2	EEADR1	EEADR0
read/write	R/W	R/W	R/W	R/W	R/W	R/W	R/W	R/W
Reset value	0	0	0	0	0	0	0	0

Bit7~Bit0 EEADR<7:0>: Specify the lower 8 bits of address for program EEPROM read/write operations, or the lower 8 bits of address for program memory read operations.

EEPROM data register EEDATH (8FH)

8FH	Bit7	Bit6	Bit5	Bit4	Bit3	Bit2	Bit1	Bit0
EEDATH	EEDATH7	EEDATH6	EEDATH5	EEDATH4	EEDATH3	EEDATH2	EEDATH1	EEDATH0
read/write	R/W	R/W	R/W	R/W	R/W	R/W	R/W	R/W
Reset value	X	X	X	X	X	X	X	X

Bit7~Bit0 EEDATH<7:0>: The upper 8 bits of data read from the program EEPROM/program memory.

EEPROM address register EEADRH (96H)

96H	Bit7	Bit6	Bit5	Bit4	Bit3	Bit2	Bit1	Bit0
EEADRH	---	---	---	---	EEADRH3	EEADRH2	EEADRH1	EEADRH0
read/write	---	---	---	---	R/W	R/W	R/W	R/W
reset value	---	---	---	---	0	0	0	0

Bit7~Bit5 not used, read 0.

Bit4~Bit0 EEADRH<3:0>: Specify the upper 5 address of the program memory read operation.

EEPROM control register EECON1 (8CH)

8CH	Bit7	Bit6	Bit5	Bit4	Bit3	Bit2	Bit1	Bit0
EECON1	EEPGD	---	---	EETIME	WRERR	WREN	WR	RD
read/write	R/W	---	---	R/W	R/W	R/W	R/W	R/W
Reset value	0	---	---	0	X	0	0	0

- Bit7 EEPGD: Program/program EEPROM selection bit;
 1= Operate program memory;
 0= Operate program EEPROM.
- Bit6~Bit5 not used
- Bit4 EETIME: The longest programming waiting time
 1= 10ms; (Recommended value)
 0= 5ms.
- Bit3 WRERR: EEPROM error flag bit;
 1= Write error (any WDT reset or under voltage reset during normal operation, or the time set by EETIME is up but the self-check has not been successful);
 0= Write complete.
- Bit2 WREN: EEPROM write enable bit;
 1= Enable write period;
 0= Disable write memory.
- Bit1 WR: Write control bit;
 1= Start write period (Once the write operation is completed, this bit is cleared by hardware, and the WR bit can only be set to 1, but not cleared by software);;
 0= Write period complete.
- Bit0 RD: Read control bit;
 1= Start the memory read operation (the RD is cleared by hardware, and the RD bit can only be set to 1, but not cleared by software);
 0= Not start memory read operation.

12.3 Read Program EEPROM

To read the program EEPROM cell, the user must write the address to the EEADR register, clear the EEPGD control bit of the EECON1 register, and then set the control bit RD to 1. Once the read control bit is set, the program EEPROM controller will use the second instruction period to read data. This will cause the second instruction following the “SETB EECON1, RD” instruction to be ignored (1). In the next clock period, the corresponding address value of the program EEPROM will be latched into the EEDAT register in the user can read these two registers in subsequent instructions. EEDAT will save this value until the next time the user reads or writes data to the unit.

Note: The two instructions after the program memory read operation must be NOP. This prevents the user from executing dual period instructions on the next instruction after the RD position is 1.

example: read program EEPROM

```
EEPDATA_READ:
    LD            A, RADDR            ; Put the address to be read into the EEADR register
    LD            EEADR, A
    CLR          EECON1, EEPGD        ;access data memory
    SETB         EECON1, RD          ;start reading
    NOP
    NOP
    LD            A, EEDAT            ;read and load data to ACC
    LD            RDATA, A
EEPDATA_READ_BACK:
    RET
```

12.4 Write Program EEPROM

To write a program EEPROM storage unit, the user should first write the unit's address to the EEADR register and write data to the EEDAT register. Then the user must start writing each byte in a specific order.

If you do not follow the following instructions exactly (that is, first write 55h to EECON2, then write AAh to EECON2, and finally set the WR bit to 1) to write each byte, the write operation will not be started. Interrupt should be disabled in this code.

In addition, the WREN bit in EECON1 must be set to 1 to enable write operations. This mechanism can prevent EEPROM from being written by mistake due to code execution errors (abnormal) (program runaway). When not updating EEPROM, the user should always keep the WREN bit cleared. The WREN bit cannot be cleared by hardware.

After a write process is started, clearing the WREN bit will not affect the write period. Unless the WREN bit is set, the WR bit will not be set to 1. When the write period is completed, the WR bit is cleared by hardware and the EE write is completed interrupt flag bit (EEIF) is set to 1. user can allow this interrupt or query this bit. EEIF must be cleared by software.

Note: During the writing of the program EEPROM, the CPU will stop working, the CLRWDT command must be executed before the writing operation starts to avoid WDT overflow to reset the chip during this period.

example: write program EEPROM

```

EEPDATA_WRITE:
    LD        A, WADDR                ; Put the address to be written into the EEADR
                                        register
    LD        EEADR, A
    LD        A, WDATA                ; put the data to be written to the EEDAT register
    LD        EEDAT, A
    CLRWDT
    CLR        EECON1
    CLRB      EECON1, EEPGD           ;access data memory
    SETB      EECON1, WREN           ;enable write period
    CLRB      F_GIE_ON               ;save interrupt enabled status
    SZB       INTCON, GIE
    SETB      F_GIE_ON
    CLRB      INTCON, GIE            ;disable interrupt
    SZB       INTCON, GIE            ;ensure interrupt is disabled
    JP        $-2

    LDIA     055H
    LD        EECON2, A
    LDIA     0AAH
    LD        EECON2, A
    SETB      EECON1, WR             ;start writing
    NOP
    NOP
    CLRWDT
    CLRB      EECON1, WREN           ;write complete, turn off write enable bit
    
```

```
SZB          F_GIE_ON          ;restore interrupt enabled status
SETB        INTCON, GIE

SNZB        EECON1, WRERR      ;check EEPROM write
JP          EEPROM_WRITE_BACK

SZDECR      WERR_C            ; Exit when the count expires, user-defined
JP          EEPROM_WRITE      ;rewrite when EEPROM write error
EEPDATA_WRITE_BACK:
RET
```


12.5 Read Program Memory

To read the program memory unit, the user must write the high and low bits of the address to the EEADR and EEADRH registers respectively, set the EEPGD bit of EECON1 register to 1, and then set the control bit RD to 1. Once the read control bit is set, the program memory controller will use the second instructions period to read data. This will cause the second instructions following the "SETB EECON1, RD" instructions to be ignored. In the next clock period, the value of the corresponding address of the program memory will be latched to EEDAT in the EEDATH register, the user can read these two registers in the subsequent instructions. The EEDAT and EEDATH register will save this value until the next time the user reads or writes data to the unit.

Note:

- 1) The two instructions after the program memory read operation must be NOP. This prevents the user from executing double period instructions in the next instruction after the RD position is 1.
- 2) If the WR bit is 1 when EEPGD=1, it will reset to 0 immediately without performing any operation.

example: read flash program memory

LD	A, EE_ADDL	; Put the address to be read into the EEADR register
LD	EEADR, A	
LD	A, EE_ADDH	; Put the high bit of the address to be read into EEADRH register
LD	EEADRH, A	
SETB	EECON1, EEPGD	;select to operate on program memory
SETB	EECON1, RD	;enable read
NOP		
NOP		
LD	A, EEDAT	;save read data
LD	EE_DATL, A	
LD	A, EEDATH	
LD	EE_DATH, A	

12.6 Write Program Memory

program memory is read only, cannot be written.

12.7 Precautions on Program EEPROM

12.7.1 Programming Time for Program EEPROM

The program EEPROM programming time is not fixed. The time required to program different data is different, ranging from 100us to 5ms(10ms). The CPU stops working during the programming period, and the program needs to be well dealt with accordingly.

12.7.2 Write Verification

According to specific applications, good programming habits generally require verification of the value written into the program EEPROM against the expected value.

12.7.3 Protection to Avoid Writing Wrongly

In some cases, the user may not want to write data to the program EEPROM. In order to prevent accidental writing of EEPROM, various protection mechanisms are embedded in the chip. The WREN bit is cleared when the power is turned on. Moreover, the power-on delay timer (the delay time is 18ms) Will prevent writing to the EEPROM.

The start sequence of the write operation and the WREN bit will work together to prevent false write operations in the following situations:

- Under voltage
- Power glitch
- Software failure

13. Constant Current Output

The chip has a built-in pin for output 50mA constant drain current.

13.1 The Related Register of constant current output

The control register of constant current output ECIGCON (9BH)

9BH	Bit7	Bit6	Bit5	Bit4	Bit3	Bit2	Bit1	Bit0
ECIGCON	ECIGEN	----	ECIGADJ[5:0]					
R/W	R/W	----	R	R	R	R	R	R
Reset value	0	----	x	x	x	x	x	x

Bit7 ECIGEN: Enable bit of constant current output;
 1= Constant current output is enabled, the current is output at RA0;
 0= Constant current output is disabled.

Bit6 Not used.
 Bit5~Bit0 ECIGADJ[5:0]: Adjust bit with constant current output, And the system will automatically load the test when power on.

13.2 The Operation flow of constant current output

- 1) Set the RA0/CC0 port as the input port, and turn off the pull-up and pull-down resistors;
- 2) ECIGEN=1, Enable the constant current output module;

14. Comparator (COMP)

A set of comparator is built into the chip, and the voltage of the input port can be higher than the chip power supply(VDD).

Note: The input impedance of the comparator is 150k Ω , so more attention should be paid to the driving power when in use.

14.1 The block diagram of comparator

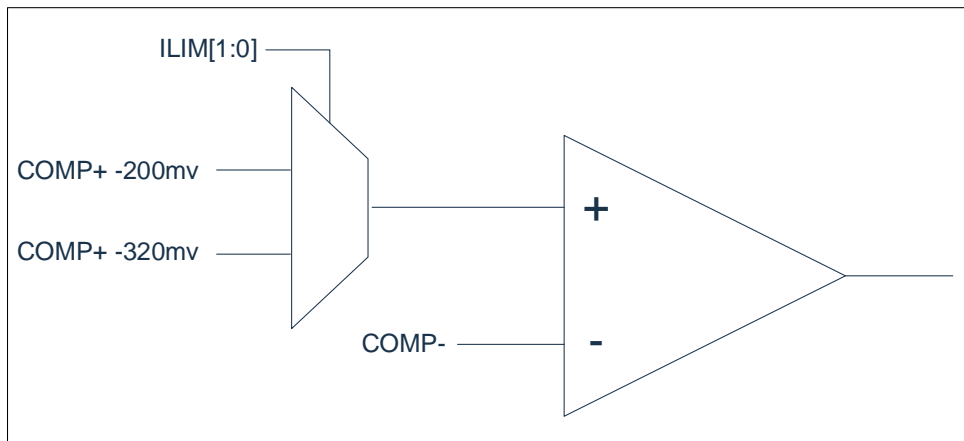


Fig 14-1: The block diagram of COMP

14.2 The Related Register of COMP

The control register of COMP COMPCON(115H)

115H	Bit7	Bit6	Bit5	Bit4	Bit3	Bit2	Bit1	Bit0
COMPCON	COMPEN	COMPRES	INT_SEL	----	----	----	ILIM[1:0]	
R/W	R/W	R	R/W	----	----	----	R/W	R/W
Reset value	0	0	0	----	----	----	0	0

Bit7	COMPEN:	Enable bit of COMP; 1= COMP is enabled; 0= COMP is disabled.
Bit6	COMPRES	Result bit of COMP;
Bit5	INT_SEL:	Select interrupt edge of COMP; 0= COMPRES goes from 0 to 1 will generate an interrupt; 1= COMPRES goes from 1 to 0 will generate an interrupt.
Bit4~Bit3	Not used	
Bit2	Reserved	need to write 1
Bit1~Bit0	ILIM:	Select the comparison threshold (Note: If use ILIM bit , the Bit2 need to write 1.) 00= Reserved 01= 200mv 10= 320mv 11= Reserved

15. Programmable Gain Amplifier (PGA)

A set of differential input PGA is built into the chip, it can get the gain with x4、 x8 or x16 times, and the output of PGA can be connected to the input channel of the ADC.

Note:

- 1) The input impedance of the PGA is 300k Ω , so more attention should be paid to the driving power when in use;
- 2) Need to write 00 to GAIN bit, when disable the PGA, otherwise the PGA port will have a pull-down resistance connected to GND.

15.1 The block diagram of PGA

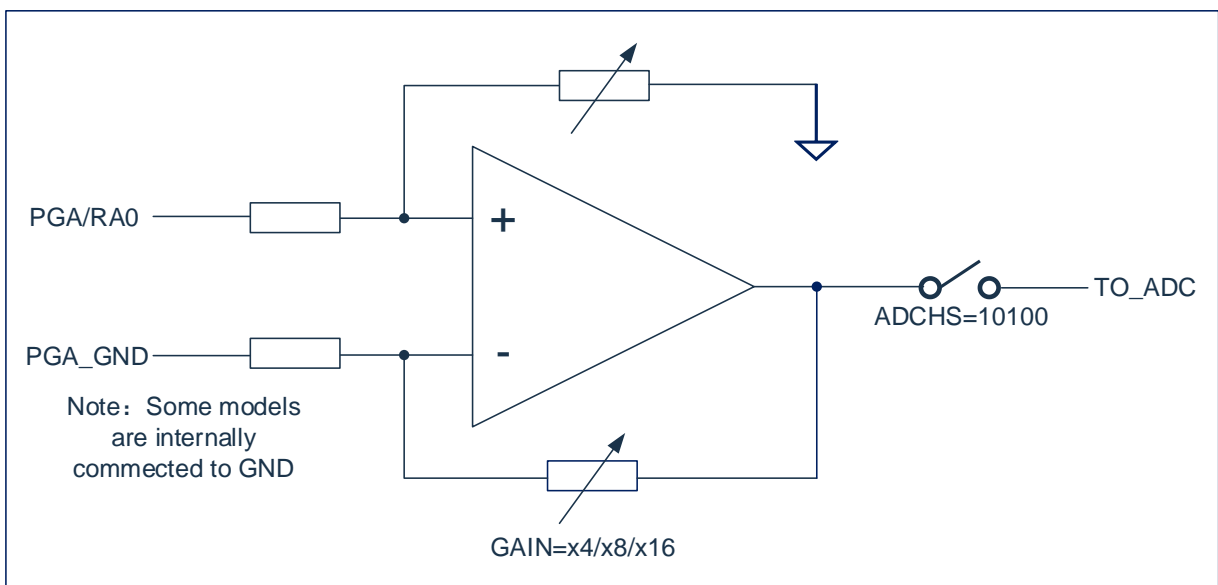


Fig 15-1: block diagram of the PGA

15.2 The Related Register of PGA

There are three registers associated with the PAG, PGACON, ADCON0 and ADCON1.

The control register of PGA PGACON (9AH)

9AH	Bit7	Bit6	Bit5	Bit4	Bit3	Bit2	Bit1	Bit0
PGACON	PGAEN	PGACH	----	----	----	----	GAIN[1:0]	
R/W	R/W	R/W	----	----	----	----	R/W	R/W
Reset value	0	0	----	----	----	----	0	0

Bit7	PGAEN:	Enable bit of PGA; 1= PGA is enabled; 0= PGA is disabled (Need to write 00 to GAIN bit at the same time)
Bit6	PGACH:	The PGA chopped wave choice, =1and=0 are tested once each, the offset voltage can be eliminated.
Bit5~Bit2	Not used	
Bit1~Bit0	GAIN:	Gain of the PGA 00= Reserved, Need to write 00 to GAIN bit, when disable the PGA 01= x4 10= x8 11= x16

15.3 The Operation flow of PGA

- 1) Set the RA0/PGA port as the input port, and turn off the pull-up and pull-down resistors;
- 2) Set GAIN [1:0] bit to determine the magnification;
- 3) PGAEN=1, Enable the PGA module;
- 4) Set CHS[4:0]=10100 of the ADCON0, ADCON1 register;
- 5) Set PGACH=0, and detection the ADC;
- 6) Set PGACH=1, and detection the ADC;
- 7) Repeat 5), 6), and detection the ADC even time , averaging, finally the value after PGA amplification is obtained.

16. Universal Synchronous/Asynchronous Transmitter (USART)

The universal synchronous/asynchronous transmitter (USART) mod is a serial I/O communication peripheral. This mod includes all the clock generators, shift registers and data buffers necessary to perform input or output serial data transmissions that are not related to device program execution. USART It can also be called a serial communication interface (Serial Communications Interface, SCI), it can be configured as a duplex asynchronous system that can communicate with peripherals such as CRT terminals and personal computers; it can also be configured as an integrated circuit with A/D or D/A, Serial EEPROM and other peripherals or half-duplex synchronous system of other microcontroller communication. The microcontroller with which it communicates usually does not have an internal clock that generates baud rate, it needs a master control synchronous device to provide an external clock signal.

The USART mod includes the following functions:

- ◆ Duplex asynchronous transmit and receive
- ◆ Single character output buffer
- ◆ Double character input buffer
- ◆ Frame error detection from receive to character
- ◆ Half-duplex synchronous slave mode
- ◆ Character length can be programmed to 8 or 9 bits
- ◆ Input buffer overflow error detection
- ◆ Half-duplex synchronous master control mode
- ◆ In synchronous mode, programmable clock polarity

Figure 16-1 and Figure 16-2 below are the block diagrams of the USART transmitter.

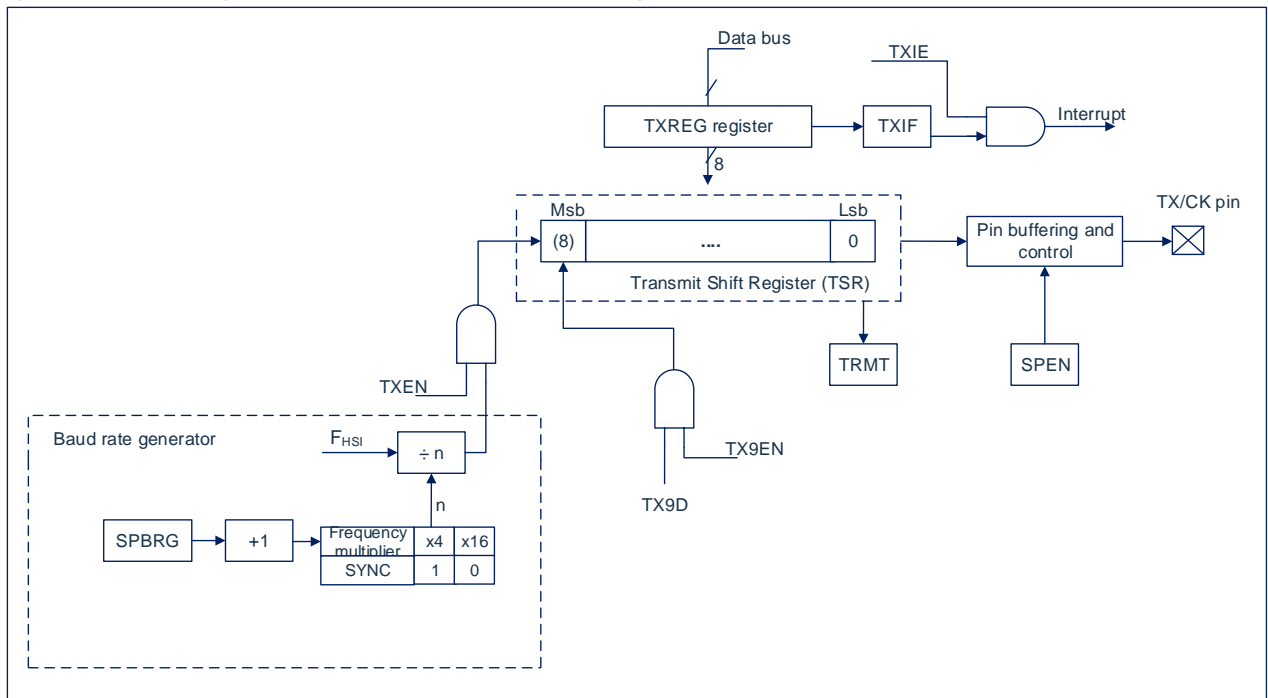


Fig 16-1: USART transmit block diagram

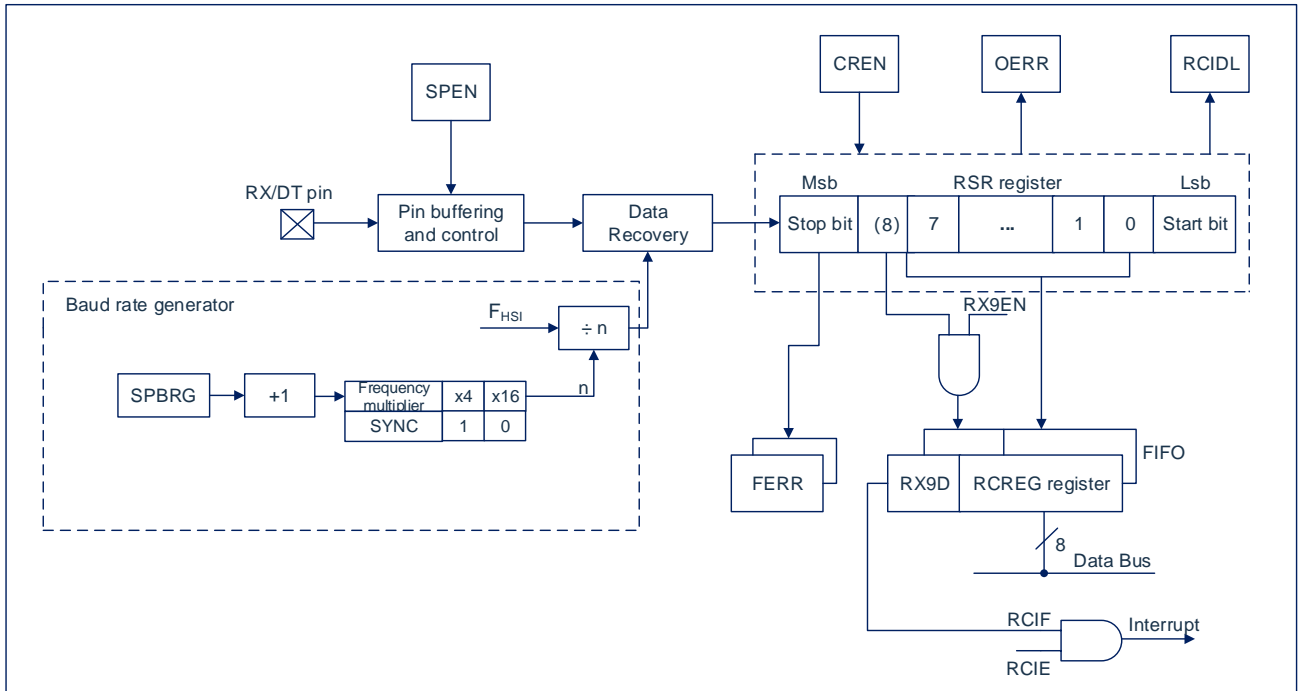


Fig 16-2: USART receive block diagram

The operation of the USART mod is controlled by 2 registers:

- transmit status and control register (TXSTA)
- Receive status and control register (RCSTA)

16.1 USART Asynchronous Mode

USART uses the standard non-return-to-zero (NRZ) format for transmit and receive data. Two levels are used to implement NRZ:

It represents the VOH mark state (mark state) of 1 data bit, and the VOL space state (space state) of 0 data bit. When using NRZ format to continuously transmit data bits of the same value, the output level will maintain the level of the bit, and It will return the mid-level value after each bit is transmitted. NRZ transmit port is idle in the mark state. The character of each transmit includes a start bit, followed by 8 or 9 data bits and one or more terminations the stop bit of character transmit. The start bit is always in the space state, and the stop bit is always in the mark state. The most commonly used data format is 8 bits. The duration of each transmit bit is 1/ (baud rate). On-chip dedicated 8 Bit/16-bit baud rate generator can be used to generate standard baud rate frequency through system oscillator.

USART first transmit and receive Lbs. USART's transmitter and receiver are functionally independent, but use the same data format and baud rate. Hardware does not support parity check, but it can be implemented by software (parity bit is the first 9 data bits).

16.1.1 USART Asynchronous Generator

Figure 16-1 shows the block diagram of the USART transmit device. The core of the transmit device is the serial transmit shift register (TSR), which cannot be directly accessed by software. TSR obtains data from the TXREG transmit buffer register.

16.1.1.1 Enable Transmit

Enable USART transmit by configuring the following three control bits for asynchronous operation:

- TXEN=1
- SYNC=0
- SPEN=1

It is assumed that all other USART control bits are in their default state.

Set the TXEN bit of the TXSTA register to 1 to enable the USART transmitter circuit. Clear the SYNC bit of the TXSTA register to zero and use the USART configuration for asynchronous operation.

Note:

- 1) When the SPEN bit and TXEN bit are set to 1, the SYNC bit is cleared, TX/CKI/Open is automatically configured as an output pin, regardless of the state of the corresponding TRIS bit.
- 2) When the SPEN bit and CREN bit are set to 1, the SYNC bit is cleared, and RX/DTI/Open is automatically configured as an input pin, regardless of the state of the corresponding TRIS bit.

16.1.1.2 Transmit Data

Write a character to the TXREG register to start transmit. If this is the first character, or the previous character has been completely removed from the TSR, the data in TXREG will be immediately transmitted to the TSR register. If all or part of the TSR is still stored. The previous character, the new character data will be stored in TXREG until the stop bit of the previous character is transmitted. Then, after the stop bit is transmitted, after a TCY, the data to be processed in TXREG will be transmitted to TSR. When After data is transmitted from TXREG to TSR, the start bit, data bit, and stop bit sequence are transmitted immediately.

16.1.1.3 Transmit Interrupt

As long as the USART transmitter is enabled and there is no data to be transmitted in TXREG, the TXIF interrupt flag bit of the PIR1 register is set to 1. In other words, only when the TSR is busy processing the character and there are new characters queued for transmit in the TXREG, the TXIF bit It is in the cleared state. When writing TXREG, the TXIF flag bit is not cleared immediately. TXIF is cleared at the second instructions period after writing the instructions. Querying TXIF immediately after writing TXREG will return an invalid result. TXIF is a read-only bit and cannot Set or cleared by software.

TXIF interrupt can be enabled by setting the TXIE interrupt enable bit of PIE1 register. However, as long as TXREG is empty, the TXIF flag bit will be set to 1 regardless of the status of the TXIE enable bit.

If you want to use interrupt when transmitting data, set the TXIE bit to 1 only when the data is to be transmitted. After writing the last character to be transmitted to TXREG, clear the TXIE interrupt enable bit.

16.1.1.4 TSR Status

The TRMT bit of the TXSTA register indicates the status of the TSR register. The TRMT bit is a read-only bit. When the TSR register is empty, the TRMT bit is set to 1, and when a character is transferred from the TXREG to the TSR register, the TRMT is cleared. The TRMT bit remains Clear the state until all bits are removed from the TSR register. There is no interrupt logic related to this bit, so the user must query this bit to determine the state of the TSR bit.

Note: The TSR register is not mapped to the data memory, so the user cannot directly access it.

16.1.1.5 Transmit 9-bit Character

The USART supports 9-bit character transmit. When the TX9EN bit of the TXSTA register is 1, the USART will shift out 9 bits of each character to be transmitted. The TX9D bit of the TXSTA register is the 9th bit, which is the highest data bit. When the 9-bit data is transmitted, it must Before be writing the 8 least significant bits to TXREG, write the TX9D data bit. After writing the TXREG register, the 9 data bits will be transferred to the TSR shift register immediately.

16.1.1.6 Configure Asynchronous Transmit

1. Initialize the SPBRG register to obtain the required baud rate (see "USART baud rate generator (BRG)")
2. Enable the asynchronous serial port by clearing the SYNC bit and setting the SPEN bit to 1.
3. If 9-bit transmit is required, set the TX9EN control bit to 1. When the receiver is set for address detection, set the 9th bit of the data bit to 1, indicating that the 8 lowest data bits are address.
4. Set the TXEN control bit to 1 to enable transmit; this will cause the TXIF interrupt flag bit to be set to 1.
5. If interrupt is required, set the TXIE interrupt enable bit in PIE1 register to 1; if the GIE and PEIE bits in the INTCON register are also set to 1, interrupt will occur immediately.
6. If you choose to transmit 9-bit data, the 9th bit should be loaded into the TX9D data bit.
7. Load 8-bit data into TXREG register to start transmitting data.

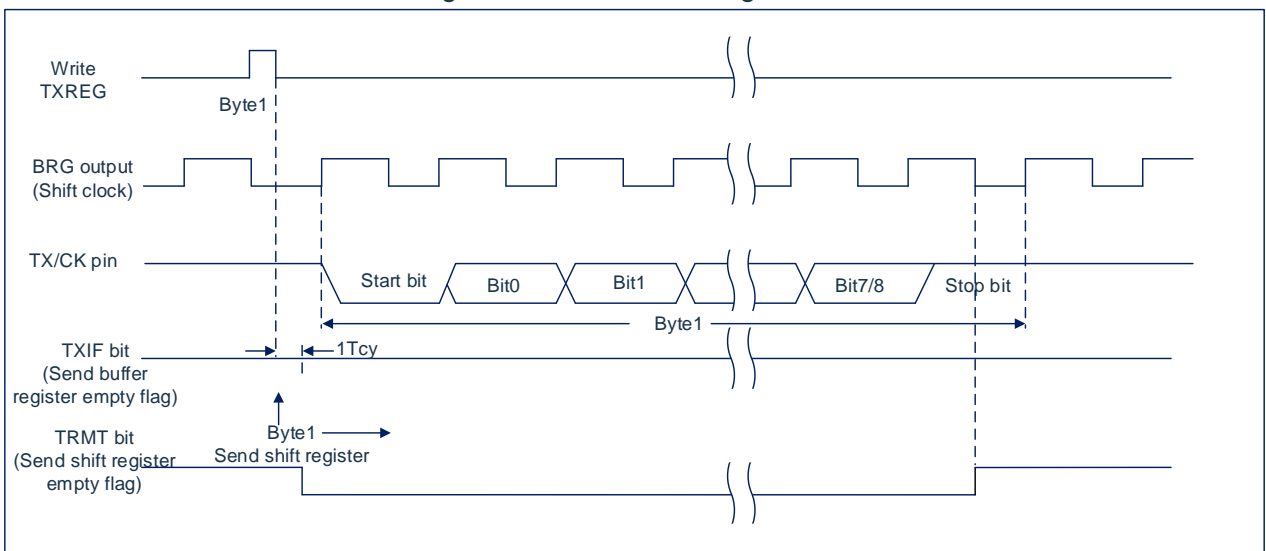


Fig 16-3: asynchronous transmit

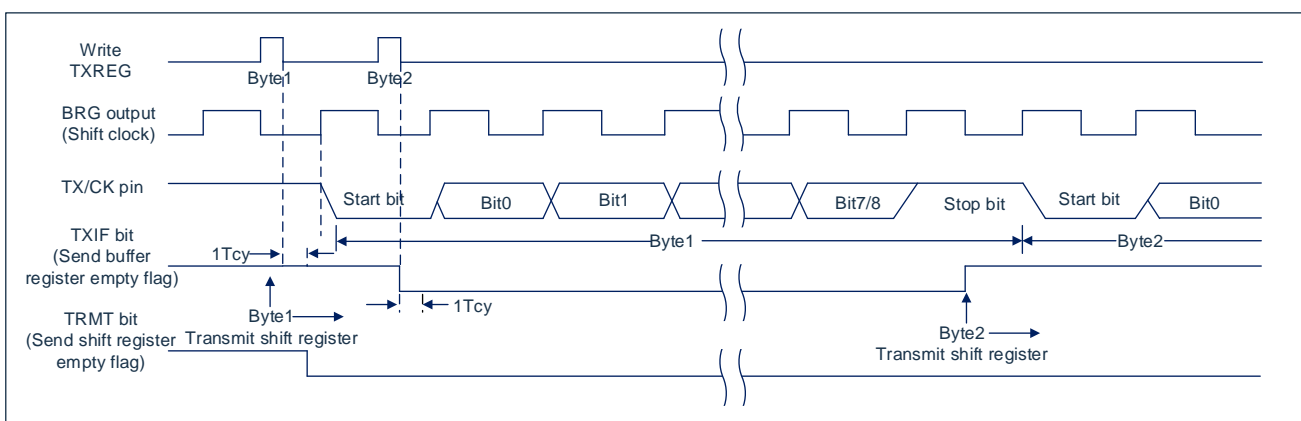


Fig16-4: asynchronous transmit (back to back)

Note: This time series diagram shows two consecutive transmit.

16.1.2 USART Asynchronous Receiver

Asynchronous mode is usually used in RS-232 system. Figure 16-2 shows the block diagram of the receiver. Receive data and driver data recovery circuit on RX/DT pin. The data recovery circuit is actually a 16 times baud rate as the operating frequency High-speed shifter, while the serial receives shift register (Receive Shift Register, RSR) works at the bit rate. When all the 8-bit or 9-bit data bits of the character are shifted in, they are immediately transferred to a 2-character FIFO (FIFO) buffer. FIFO buffer allows to receive 2 complete characters and the start bit of the third character, and then software must provide the received data to the USART receiver. FIFO and RSR register cannot be directly accessed by software. The RCREG register accesses the received data.

16.1.2.1 Enable Receiver

Enable the USART receiver by configuring the following three control bits for asynchronous operation.

- CREN=1
- SYNC=0
- SPEN=1

Assuming that all other USART control bits are in the default state. Set the CREN bit of the RCSTA register to 1 to enable the USART receiver circuit. Clear the SYNC bit of the TXSTA register to zero and configure the USART for asynchronous operation.

Note:

- 1) When the SPEN bit and TXEN bit are set to 1, the SYNC bit is cleared, and the TX/CKI/O pin is automatically configured as an output pin, regardless of the state of the corresponding TRIS bit.
- 2) When the SPEN bit and CREN bit are set to 1, the SYNC bit is cleared, and the RX/DTI/O pin is automatically configured as an input pin, regardless of the state of the corresponding TRIS bit.

16.1.2.2 Receive Data

Receiver data recovery circuit starts the receive character at the falling edge of the first bit. The first bit, usually called the start bit, is always 0. The data recovery circuit counts half a bit time to the center of the start bit. Check whether the bit is still zero. If the bit is not zero, the data recovery circuit will give up receiving the character without error, and continue to look for the falling edge of the start bit. If the zero check of the start bit passes, then the data recovery circuit counts a complete bit time and reaches the center position of the next bit. The majority detection circuit samples the bit and moves the corresponding sampling result 0 or 1 into the RSR. Repeat the process until all data bits are completed Sampling and moving it all into RSR register. Measure the time of the last bit and sample its level. This bit is the stop bit and is always 1. If the data recovery circuit samples 0 at the stop bit position, the character frame error The flag will be set to 1, otherwise, the frame error flag of the character will be cleared.

When all data bits and stop bits are received, the character in the RSR will be immediately transferred to the receive FIFO of the USART and the RCIF interrupt flag bit of PIR1 register is set to 1. The character at the top of the FIFO is moved out of the FIFO by reading the RCREG register.

Note: If you receive FIFO overflow, you cannot continue to receive other characters until the overflow condition is cleared.

16.1.2.3 Receive Interrupt

As long as the USART receiver is enabled and there is no unread data in the receive FIFO, the RCIF interrupt flag bit in the PIR1 register will be set to 0. The RCIF interrupt flag bit is read-only and cannot be set or cleared by software.

RCIF interrupt is enabled by setting all of the following bits:

- RCIE interrupt enable bit of PIE1 register;
- PEIE peripherals interrupt enable bit of INTCON register;
- GIE global interrupt enable bit of INTCON register.

If there is unread data in the FIFO, regardless of the state of the interrupt enable bit, the RCIF interrupt flag bit will be set to 1.

16.1.2.4 Receive Frame Error

Each character in the Receive FIFO buffer has a corresponding frame error status bit. The frame error indicates that the stop bit was not received within the expected time.

The framing error status is obtained by the FERR bit of the RCSTA register. The FERR bit must be read after reading the RCREG register.

Framing error (FERR=1) will not prevent receiving more characters. There is no need to clear the FERR bit.

Clearing the SPEN bit of the RCSTA register will reset the USART and forcibly clear the FERR bit. Framing error itself will not cause interrupt.

Note: If all characters received in the receive FIFO buffer have framing errors, repeated reading of RCREG will not clear the FERR bit.

16.1.2.5 Receive Overflow Error

The receive FIFO buffer can store 2 characters. However, if the third character is received before accessing the FIFO, an overflow error will occur. At this time, the OERR bit of the RCSTA register will be set to 1. The character inside FIFO buffer can be read, but before the error is cleared, no other characters can be received. The error can be cleared by clearing the CREN bit of the RCSTA register or by clearing the SPEN bit of the RCSTA register to make USART reset.

16.1.2.6 Receive 9-bit Character

The USART supports 9-bit data receive. When the RX9EN bit of the RCSTA register is set to 1, the USART will shift the 9 bits of each character received into the RSR. You must read the RX9D data bit after reading the lower 8 bits in RCREG.

16.1.2.7 Asynchronous Receive Configuration

1. Initialize the SPBRG register to obtain the required baud rate.
(Please refer to the "USART baud rate generator (BRG)" chapter.)
2. Set the SPEN bit to 1 to enable the serial port. The SYNC bit must be cleared to perform asynchronous operations.
3. If interrupt is required, set the RCIE bit in the PIE1 register and the GIE and PEIE bits in the INTCON register to 1.
4. If you need to receive 9 bits of data, set the RX9EN bit to 1.
5. Set the CREN bit to 1 to enable receive.
6. When a character is transferred from the RSR to the receive buffer, set the RCIF interrupt flag bit to 1. If the RCIE interrupt enable bit is also set to 1, an interrupt will also be generated.
7. Read the RCREG register and get the received 8 low data bits from the receive buffer.
8. Read the RCSTA register to get the error flag bit and the 9th data bit (if 9-bit data receive is enabled).
9. If overflow occurs, clear the OERR flag by clearing the CREN receiver enable bit.

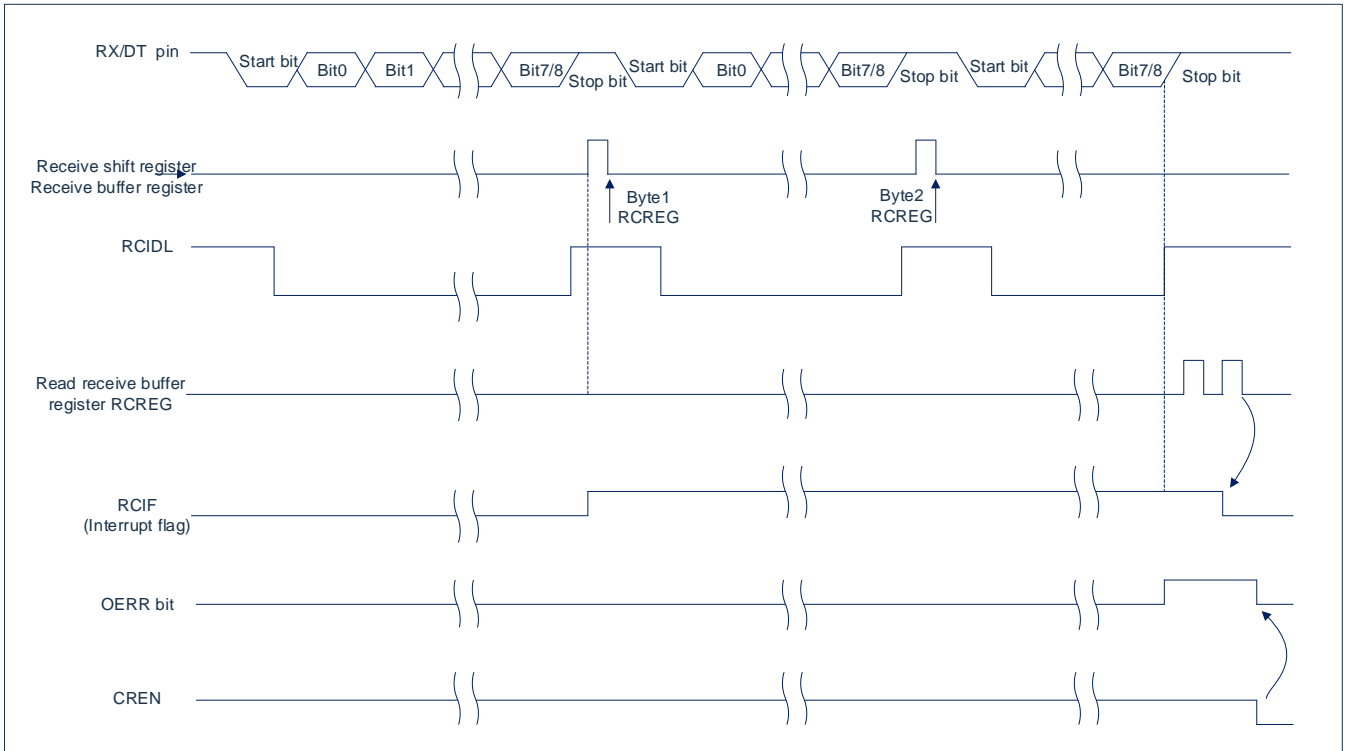


Fig 16-5: Asynchronous receive

Note: This time series diagram shows the situation of three words received in RX input pin. Reading RCREG (receive buffer) after the third word results in OERR (overflow) bit 1.

16.2 Clock Precision for Asynchronous Operations

The output of the internal oscillation circuit (INTOSC) is calibrated by the manufacturer. But when VDD or temperature changes, INTOSC will have a frequency shift, which will directly affect the asynchronous baud rate. The baud rate clock can be adjusted by the following methods, but some type of reference is required clock source.

16.3 USART Related Register

TXSTA: transmit status and control register (117H)

117H	Bit7	Bit6	Bit5	Bit4	Bit3	Bit2	Bit1	Bit0
TXSTA	CSRC	TX9EN	TXEN(1)	SYNC	SCKP	STOPBIT	TRMT	TX9D
read/write	R/W	R/W	R/W	R/W	R/W	R/W	R	R/W
Reset value	0	0	0	0	0	0	1	0

Bit7	CSRC0:	clock sources election bit;
	Asynchronous mode:	Any value;
	Synchronous mode:	1=master control mode (internal BRG generate clock signal); 0=slave mode (external clock source generate clock).
Bit6	TX9EN:	9-bit transmit enable bit;
	1=	Select 9-bit transmit;
	0=	Select 8-bit transmit.
Bit5	TXEN:	Transmit enable bit (1);
	1=	Enable transmit;
	0=	Disable transmit.
Bit4	SYNC:	USART mode selection bit;
	1=	Synchronous mode;
	0=	Asynchronous mode.
Bit3	SCKP:	Synchronous clock polarity selection bit.
	Asynchronous mode:	1= Invert the level of the data character and transmit to the TX/CK pin; 0= Directly transmit data character to TX/CK pin.
	Synchronous mode:	0= Data is transmitted on the rising edge of clock; 1= Data is transmitted on the falling edge of clock.
Bit2	STOPBIT:	Stop bit selection (only valid for asynchronous transmit), this bit needs to write to 0 when giving data for transmit by judge TRMT=1.
	1=	1 stop bit;
	0=	2 stop bits.
Bit1	TRMT:	Transmit shift register status bit;
	1=	TSR empty;
	0=	TSR full.
Bit0	TX9D:	9 th bit of Transmit data.
		Can be address/data bit or parity check bit.

Note:

- 1) In synchronous mode, SREN/CREN will invert the value of TXEN.
- 2) When sending data by judging TRMT=1, STOPBIT needs to write 0.

RCSTA: receive status and control register (118H)

118H	Bit7	Bit6	Bit5	Bit4	Bit3	Bit2	Bit1	Bit0
RCSTA	SPEN	RX9EN	SREN	CREN	RCIDL	FERR	OERR	RX9D
read/write	R/W	R/W	R/W	R/W	R	R	R	R
Reset value	0	0	0	0	1	0	0	0

Bit7	SPEN:	Serial port enable bit; 1= Enable serial port (RX/DT and TX/CK pin configured as serial port pin); 0= Disable serial port (hold on reset).
Bit6	RX9EN:	9-bit receive enable bit; 1= Select 9-bit receive; 0= Select 8-bit receive;.
Bit5	SREN:	Single byte receive enable bit. Asynchronous mode: any value. Synchronous master control mode: 1=enable single byte receive; 0=disable single byte receive. Clear after receive completed. any value. Synchronous slave mode:
Bit4	CREN:	Continuous receive enable bit. Asynchronous mode: 1=enable receive; 0=disable receive. Synchronous mode: 1=enable continuous receive until clear CREN enable bit (CREN cover SREN); 0=disable continuous receive.
Bit3	RCIDL:	Receive idle flag bit. Asynchronous mode: 1=receiver idle; 0= already receive initial bit, receiving data. Synchronous mode: any value.
Bit2	FERR:	frame error bit. 1= frame error (It can be updated by reading the RCREG register and receive the next valid byte); 0= No frame error.
Bit1	OERR:	Overflow error bit. 1= Overflow error (clear by clearing CREN bit); 0= No overflow error.
Bit0	RX9D:	Receive until 9 th bit of the data. This bit can be the address/data bit or the parity check bit, which must be calculated by the user firmware.

16.4 USART Baud Rate Generator (BRG)

The baud rate generator (BRG) is an 8-bit, dedicated to supporting the asynchronous and synchronous working modes of USART.

The SPBRG register determines the period of the free-running baud rate timer.

Table 16-1 contains the formula for calculating baud rate. Formula 1 is an example of calculating baud rate and baud rate error.

Table 16-1 shows the typical baud rate and baud rate error values under various asynchronous modes that have been calculated, which is convenient for you to use.

Writing a new value to the SPBRG register pair will cause the BRG timer to reset (or clear). This can ensure that BRG can output a new baud rate without waiting for a timer overflow.

If the system clock changes during a valid receive process, a receive error may occur or data loss may occur. To avoid this problem, the state of the RCIDL bit should be checked to ensure that the receive operation is idle before changing the system clock.

formula1: calculate baud rate error

For device with $F_{HSI}=8\text{MHz}$, target baud rate=9600bps, asynchronous mode is 8-bit BRG:

$$\text{target baud rate} = \frac{F_{\text{sys}}}{16([\text{SPBRG}] + 1)}$$

solve SPBRG:

$$X = \frac{\frac{F_{\text{HSI}}}{\text{target baud rate}}}{16} - 1 = \frac{\frac{8000000}{9600}}{16} - 1 = [51.08] = 51$$

$$\text{calculated baud rate} = \frac{8000000}{16(51+1)} = 9615$$

$$\text{error} = \frac{\text{calculated baud rate} - \text{target baud rate}}{\text{target baud rate}} = \frac{(9615 - 9600)}{9600} = 0.16\%$$

Table 16-1: baud rate formula

Configuration bit	BRG/USART mode	baud rate formula
SYNC		
0	8bit/asynchronous	$F_{\text{HSI}}/[16(n+1)]$
1	8bit/synchronous	$F_{\text{HSI}}/[4(n+1)]$

Note: n= value of SPBRG register.

Table 16-2: baud rate in asynchronous mode

Target baud rate	SYNC=0					
	$F_{\text{HSI}}=8.00\text{MHz}$			$F_{\text{HSI}}=16.00\text{MHz}$		
	Real baud rate	error (%)	SPBRG value	Real baud rate	error (%)	SPBRG value
2400	2404	0.16	207	----	----	----
9600	9615	0.16	51	9615	0.16	103
10417	10417	0	47	10417	0	95
19200	19230	0.16	25	19230	0.16	51

16.5 USART Synchronous Mode

Synchronous serial communication is usually used in a system with a master control device and one or more slave devices. The master control device contains the necessary circuits to generate the baud rate clock and provides clock for all devices in the system. The slave device can use master control clock, so no internal clock generation circuit is needed.

In synchronous mode, there are two signal lines: bi-directional data line and clock line. The slave device uses the external clock provided by the master control device to move the serial data in or out of the corresponding receive and transmit shift register. Because of the use of bi-directional data lines, synchronous operation can only use half-duplex mode. Half-duplex means: master control device and slave device can receive and transmit data, but cannot receive or transmit at the same time. USART can be used as a master control device, or as a slave device.

Start and stop bits are not necessary to use in synchronous mode.

16.5.1 Synchronous Master Control Mode

The following bits are used to configure the USART for synchronous master control operation :

- SYNC=1
- CSRC=1
- SREN=0 (to transmit); SREN=1 (to receive)
- CREN=0 (to transmit); CREN=1 (to receive)
- SPEN=1

Set the SYNC bit of the TXSTA register to 1 to use the USART configuration for synchronous operation. Set the CSRC bit of the TXSTA register to 1 to configure the device as a master control device. Clear the SREN and CREN bits of the RCSTA register to zero to ensure that the device is in transmit mode. Otherwise, the device is configured to receive mode. Set the SPEN bit of the RCSTA register to 1, enable USART.

16.5.1.1 Master Control Clock

Synchronous data transmission uses an independent clock line to transmit data synchronously. The device configured as a master control device transmits clock signal on the TX/CK pin. When the USART is configured for synchronous transmit or receive operation, the TX/CK output driver automatically enables. Serial data bits are changed on the rising edge of each clock to ensure that they are valid on the falling edge. The time of each data bit is a clock period, and there can only be as many clock periods as there are data bits.

16.5.1.2 Clock Polarity

The device provides clock polarity options to be compatible with Microware. The clock polarity is selected by the SCKP bit of the TXSTA register. Set the SCKP bit to 1 to set the clock idle state to high. When the SCKP bit is 1, data on the falling edge of each clock changes. Clear the SCKP bit and set the clock idle state to low. When the SCKP bit is cleared, data changes on each rising edge of the clock.

16.5.1.3 Synchronous Master Control Transmit

The RX/DT pin output data of the device. When the USART configuration is synchronous master control transmit operation, the RX/DT and TX/CK output pins of the device are automatically enabled.

Write a character to the TXREG register to start the transmit. If all or part of the previous character is still stored in the TSR, the new character data is stored in TXREG until the stop bit of the previous character is transmitted. If this is the first character, Or the previous character has been completely removed from the TSR, the data in TXREG will be immediately transferred to the TSR register. When the character is transferred from TXREG to TSR, it will immediately begin to transmit data. Each data bit changes on the rising edge of the master control clock and remain effective until the rising edge of the next clock.

Note: The TSR register is not mapped to the data memory, so the user cannot directly access it.

16.5.1.4 Synchronous Master Control Transmit Configuration

1. Initialize the SPBRG register to obtain the required baud rate.
(Please refer to the chapter "USART baud rate generator (BRG)".)
2. Set the SYNC, SPEN and CSRC bits to 1, enable synchronous master control serial port.
3. Clear the SREN and CREN bits to disable receive mode.
4. Set the TXEN bit to 1 to enable transmit mode.
5. If you need to transmit a 9-bit character, set TX9EN to 1.
6. If interrupt is required, set the TXIE bit in the PIE1 register and the GIE and PEIE bits in the INTCON register to 1.
7. If you choose to transmit 9-bit character, you should load the 9th bit of data into the TX9D bit.
8. Start transmit by loading data into TXREG register.

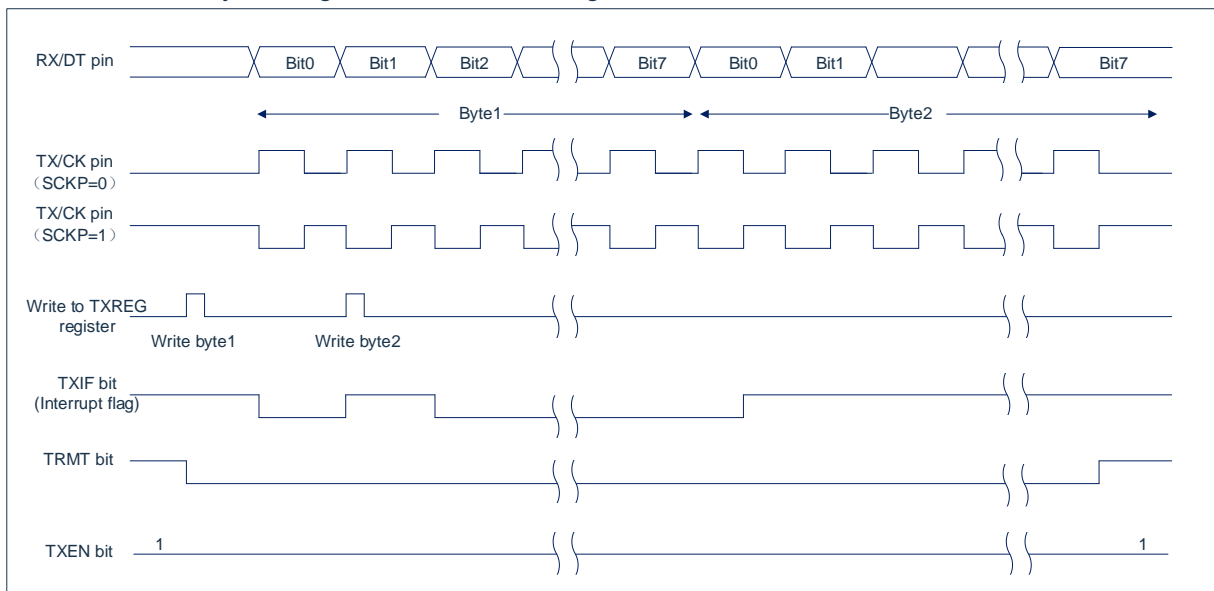


Fig 16-6: synchronous transmit

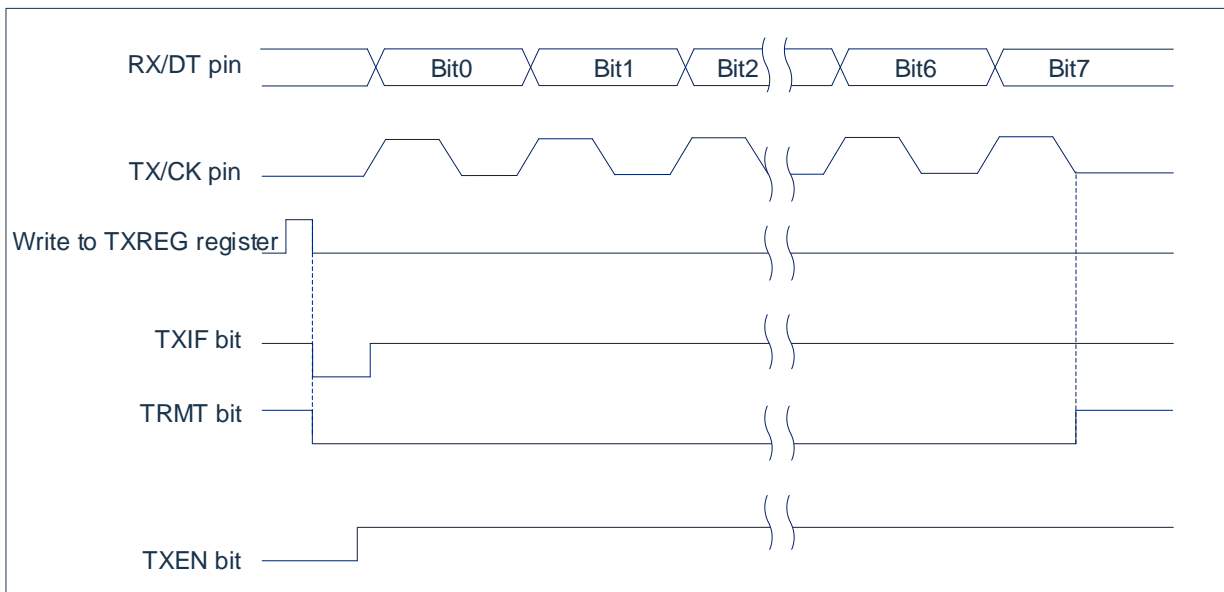


Fig 16-7: synchronous transmit (through TXEN)

16.5.1.5 Synchronous Master Control Receive

RX/DT pin receive data. When the USART configuration is synchronous master control receive, the output driver of the RX/DT pin of the device is automatically disabled.

In synchronous mode, set the single word receive enable bit (SREN bit of RCSTA register) or continuous receive enable bit (CREN bit of RCSTA register) to 1 enable receive. When SREN is set to 1, the CREN bit is cleared, the number of clock period generated is as much as the number of data bit in single character. After a character transmission is over, the SREN bit is automatically cleared. When CREN is set to 1, a continuous clock will be generated until CREN is cleared. If CREN is cleared during a character transmission, The CK clock stops immediately and discards the incomplete character. If both SREN and CREN are set to 1, when the first character transfer is completed, the SREN bit is cleared, and CREN takes precedence.

Set the SREN or CREN bit to 1, start receiving. Sample the data on RX/DT pin at the falling edge of the TX/CK clock pin signal, and shift the sampled data into the receive shift register (RSR). When the RSR receives a complete character, the RCIF bit is set to 1, the character is automatically moved into the 2 byte receive FIFO. The lower 8 bits of the top character in the receive FIFO can be read through RCREG. As long as there are unread characters in the receive FIFO, the RCIF bit remains as 1.

16.5.1.6 Slave Clock

Synchronous data transmission uses an independent clock line synchronous with the data line. Clock signal on the TX/CK line of the slave device is received. When the device is configured to operate synchronously from the transmit or receive, the output driver of the TX/CK pin automatically disable. The serial data bit is changed at the leading edge of the clock signal to ensure that it is valid on the back edge of each clock. Each clock period can only transmit one bit of data, so how many data bits must be received is determined by how many data bits transmitted.

16.5.1.7 Receive Overflow Error

The receive FIFO buffer can store 2 characters. Before reading the RCREG to access the FIFO, if the third character is received completely, an overflow error will occur. At this time, the OERR bit of the RCSTA register will be set to 1. The previous data in the FIFO is not Will be rewritten. Two characters in the FIFO buffer can be read, but before the error is cleared, no other characters can be received. The OERR bit can only be cleared by clearing the overflow condition. If an overflow occurs, the SREN bit is set to 1, the CREN bit is in the cleared state, and the error is cleared by reading the RCREG register. If CREN is set to 1 during overflow, you can clear the CREN bit of the RCSTA register or clear the SPEN bit to reset USART, to clear the error.

16.5.1.8 Receive 9-bit Character

The USART supports receive 9-bit characters. When the RX9EN bit of the RCSTA register is 1, the USART moves the 9-bit data of each character received into the RSR. When reading 9-bit data from the receive FIFO buffer, it must read 8 lower bit of RCREG first.

16.5.1.9 Synchronous Master Control Receive Configuration

1. Initialize the SPBRG register to obtain the required baud rate. (Note: SPBRG>05H must be met)
2. Set the SYNC, SPEN and CSRC bits to 1 to enable synchronous master control serial port.
3. Make sure to clear the CREN and SREN bits.
4. If interrupt is used, set the GIE and PEIE bits of the INTCON register to 1, and set the RCIE bit of the PIE1 register to 1.
5. If you need to receive a 9-bit character, set the RX9EN bit to 1.
6. Set the SREN bit to 1 to enable receive, or set the CREN bit to 1 to enable continuous receive.
7. When the character receive is completed, set the RCIF interrupt flag bit to 1. If the enable bit RCIE is set to 1, an interrupt will also be generated.
8. Read the RCREG register to get the received 8-bit data.
9. Read the RCSTA register to get the 9th data bit (when 9-bit receive is enabled), and judge whether an error occurs during the receive process.
10. If an overflow error occurs, clear the CREN bit of the RCSTA register or clear SPEN to reset USART to clear the error.

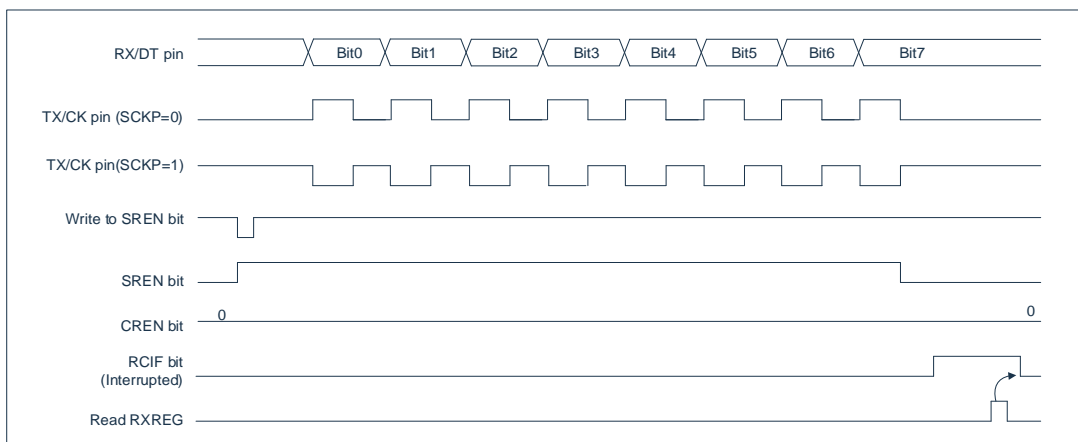


Fig 16-8: synchronous receive (master control mode, SREN)

Note: The time series diagram illustrates the synchronous master control mode when SREN=1.

16.5.2 Synchronous Slave Mode

The following bits are used to configure USART for synchronous slave operation:

- SYNC=1
- CSRC=0
- SREN=0 (to transmit); SREN=1 (to receive)
- CREN=0 (to transmit); CREN=1 (to receive)
- SPEN=1

Set the SYNC bit of the TXSTA register to 1 to configure the device for synchronous operation. Set the CSRC bit of the TXSTA register to 1 to configure the device as a slave device. Clear the SREN and CREN bits of the RCSTA register to zero to ensure that the device is in transmit mode. Otherwise, the device will be configured as receive mode. Set the SPEN bit of the RCSTA register to 1, enable USART.

16.5.2.1 USART Synchronous Slave Transmit

The working principle of synchronous master control and slave mode is the same (see chapter "synchronous master control transmission").

16.5.2.2 Synchronous Slave Transmit Configuration

1. Set the SYNC and SPEN bits and clear the CSRC bit.
2. Clear the CREN and SREN bits.
3. If interrupt is used, set the GIE and PEIE bits of the INTCON register to 1, and set the TXIE bit of the PIE1 register.
4. If you need to transmit 9-bit data, set the TX9EN bit to 1.
5. Set the TXEN bit to 1 to enable transmit.
6. If you choose to transmit 9-bit data, write the most significant bit to the TX9D bit.
7. Write the lower 8 bits of data to the TXREG register to start transmission.

16.5.2.3 USART Synchronous Slave Receive

Except for the following differences, the working principle of synchronous master control and slave mode is the same.

1. The CREN bit is always set to 1, so the receiver cannot enter the idle state.
2. SREN bit, can be "any value" in slave mode.

16.5.2.4 Synchronous Slave Receive Configuration

1. Set the SYNC and SPEN bits and clear the CSRC bit.
2. If interrupt is used, set the GIE and PEIE bits of the INTCON register to 1, and also set the RCIE bit of the PIE1 register.
3. If you need to receive a 9-bit character, set the RX9EN bit to 1.
4. Set the CREN bit to 1, enable receive.
5. When the receive is completed, set the RCIF bit to 1. If RCIE is set to 1, an interrupt will also be generated.
6. Read the RCREG register and get the received 8 low data bits from the receive FIFO buffer.
7. If you enable 9-bit mode, get the most significant bit from the RX9D bit of the RCSTA register.

If an overflow error occurs, clear the CREN bit of the RCSTA register or clear the SPEN bit to reset USART to clear the error.

17. SPI Mode

17.1 SPI Mode General

SPI mode allows simultaneous transmit and receive 8-bit data at the same time. Support 4 master modes and 2 slave modes for SPI. In addition, SPI supports 3-wire mode and 4-wire mode communication.

The following three pins are used under 4-wire mod:

- master data input/slave data output (MISO)
- master data output/slave data input (MOSI)
- serial clock (SCK)
- slave selection (SS)

The following three pins are used under 3-wire mod:

- serial data input/output (SDIO)
- serial clock (SCK)
- slave selection (SS)

Note: In the following description, SDI is the MISO pin in the master mode and the MOSI pin in the slave mode; SDO is the MOSI pin in the master mode and the MISO pin in the slave mode.

17.2 SPI Related Registers

SPICON2: SPI control register (9BH)

9BH	Bit7	Bit6	Bit5	Bit4	Bit3	Bit2	Bit1	Bit0
SPICON2	---	CKE	MODE	---	---	---	---	SPIBF
read/write	---	R/W	R/W	---	---	---	---	R
Reset value	---	0	0	---	---	---	---	0

Bit7	Save, write 0
Bit 6	CKE: SPI clock edge selection bit. (Note: In slave mode, CKE must be set to 0) CKP= 0 0= Transmit data on the rising edge of SCK pin; 1= Transmit data on the falling edge of SCK pin. CKP = 1 0= Transmit data on the falling edge of SCK pin; 1= Transmit data on the rising edge of SCK pin.
Bit5	MODE: Mode selection 1=3-wire mode (When need to transmit, SDIO port TRIS bit needs to be cleared to 0; when need to receive, SDIO port TRIS needs to be set to 1) 0=4-wire mode
Bit4~Bit1	Not used.
Bit0	SPIBF: Buffer full status bit 1= Reception is complete, SPIBUF is full; 0= Reception is not complete, SPIBUF is empty.

SPICON: SPI control register (99H)

99H	Bit7	Bit6	Bit5	Bit4	Bit3	Bit2	Bit1	Bit0
SPICON	SPIWCOL	SPIOV	SPIEN	SPICKP	SPIM3	SPIM2	SPIM1	SPIM0
read/write	R/W	R/W	R/W	R/W	R/W	R/W	R/W	R/W
Reset value	0	0	0	0	0	0	0	0

Bit7	SPIWCOL: Write conflict detection bit. 1= In the process of transmit/receive data, try to write to the SPIBUF register. 0= No conflict.
Bit6	SPIOV: Receive overflow flag bit. 1= When SPIBUF still keeps the previous data, a new byte is received. When overflow occurs, the data in SPISR will be lost. Overflow will only occur in slave mode. In slave mode, even if transmit data only, user must read SPIBUF to avoid overflow. In master control mode, the overflow bit is not set to 1, because every time you receive or transmit new data, it must be started by writing to the SPIBUF register (this bit must be clear through software). 0= No overflow.
Bit5	SPIEN: SPIEN enable bit. 1= Enable serial port and configure SCK, SDO, SDI and SS as serial port pin. 0= disable serial port and configure these pins as I/O port pins.
Bit4	SPICKP: Clock polarity selection bit. 1= Clock is high when idle. 0= Clock is low when idle.
Bit3~Bit0	SPIM<3:0>: Synchronous serial port mode selection bit; 0000= SPI master control mode, clock= $F_{SYS}/4$; 0001= SPI master control mode, clock= $F_{SYS}/16$; 0010= SPI master control mode, clock= $F_{SYS}/64$; 0011= SPI master control mode, clock= TMR2 output/2; 0100= SPI slave mode, clock= SCK pin, enable SS pin control; 0101= SPI slave mode, clock= SCK pin, disable SS pin control, SS can be used as I/O pin; Others= Reserved;

17.3 SPI Working Principle

When initializing the SPI, several options need to be specified. They can be specified by programming the corresponding control bits (SPICON<5:0> and SPICON2<7:6>). These control bits are used to specify the following options:

- ◆ master control mode (SCK as clock output)
- ◆ clock polarity (SCK idle state)
- ◆ clock rate (only in master control mode)
- ◆ slave selection mode (only in slave mode)
- ◆ Slave mode (SCK as clock input)
- ◆ Sampling phase of input data (the middle or end of data output time)
- ◆ clock edge (output data on the rising/falling edge of SCK)

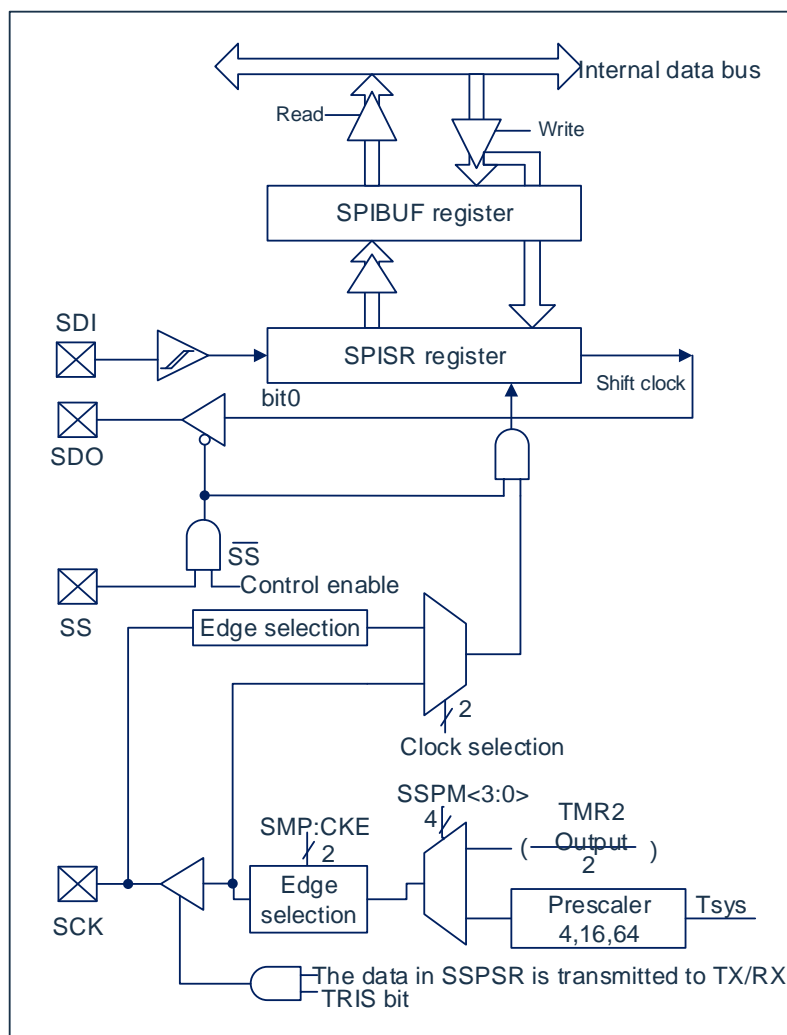


Fig 17-1 SPI mod block diagram

Note: I/O pin has diode protection to VDD and VSS.

SPI mod consists of a transmit/receive shift register (SPISR) and a buffer register (SPIBUF). SPISR moves data in and out of the device, with the most significant bit first. SPIBUF saves the data written to the SPISR last time until the new receive. The data is ready. Once the 8-bit data receive is completed, the byte is moved into the SPIBUF register. Then, the interrupt flag bit SPIIF of the PIR1 register is set to 1. This double-buffered data receives method (SPIBUF) allows reading the newly received data before starting to receive the next byte. During the data transmit/receive period, any attempt to write to the SPIBUF register will be ignored, and the write conflict detection bit WCOL of the SPICON register will be set to 1. At this time, the user must clear the WCOL bit by software, otherwise it cannot be judged whether the next write operation to SPIBUF is successfully completed.

When the application software is waiting for the receive valid data, it should read the previous data in the SPIBUF before the next data byte to be transmitted is written into the SPIBUF.

17.4 Enable SPI I/O

To enable the serial port, the SPI enable bit SPIEN of the SPICON register must be set to 1. To reset or reconfigure the SPI mode, first clear the SPIEN bit, reinitialize the SPICON register, and then set the SPIEN bit to 1. This will set MOSI, MISO, The SCK and SS pins are configured as serial port pins. To use these pins as serial ports, the data direction bits (in the TRIS register) must be programmed correctly, as follows:

- SDI controlled by SPI mod;
- The TRIS bit of MOSI must be cleared (master control mode);
- The TRIS bit of MISO must be cleared (slave mode);
- The TRIS bit of SCK (master control mode) must be cleared;
- The TRIS bit of SCK (slave mode) must be set to 1;
- The TRIS of SS (slave mode) must be set to 1.

For any unwanted serial port function, you can skip it by setting the corresponding data direction (TRIS) register to the opposite value.

17.5 Master Control Mode

The master device controls SCK, so it can start data transmission at any time. The master device determines when the slave device should broadcast data according to the software protocol.

In master control mode, once data is written into the SPIBUF register, it will start to transmit or receive. If SPI is only used as a receiver, you can disable SDO output (program it to input). SPISR register is connected to the SDI pin at the set clock rate the signal performs continuous shift input. After each byte receive is completed, it will be treated as a normal receive byte and loaded into the SPIBUF register (corresponding to interrupt and status position 1). This can be used as a “line activity monitoring” mode, which is very useful.

The clock polarity can be selected by programming the CKP bit of the SPICON register accordingly. Figure 17-2, Figure 17-3, Figure 17-4, and Figure 17-5 show the SPI communication waveforms, where MSb is first transmitted. In master control mode, the SPI clock rate (bit rate) can be programmed by the user to one of the following rates:

- $F_{SYS}/4$ (or TCY)
- $F_{SYS}/16$ (or 4.TCY)
- $F_{SYS}/64$ (or 16.TCY)
- TIMER2 output/2

Figure 17-2 shows the waveform of the master control mode. When the CKE bit of the SPICON2 register is 1, the SDO data is valid before the clock edge appears on the SCK. The figure indicates the time to load the received data into the SPIBUF.

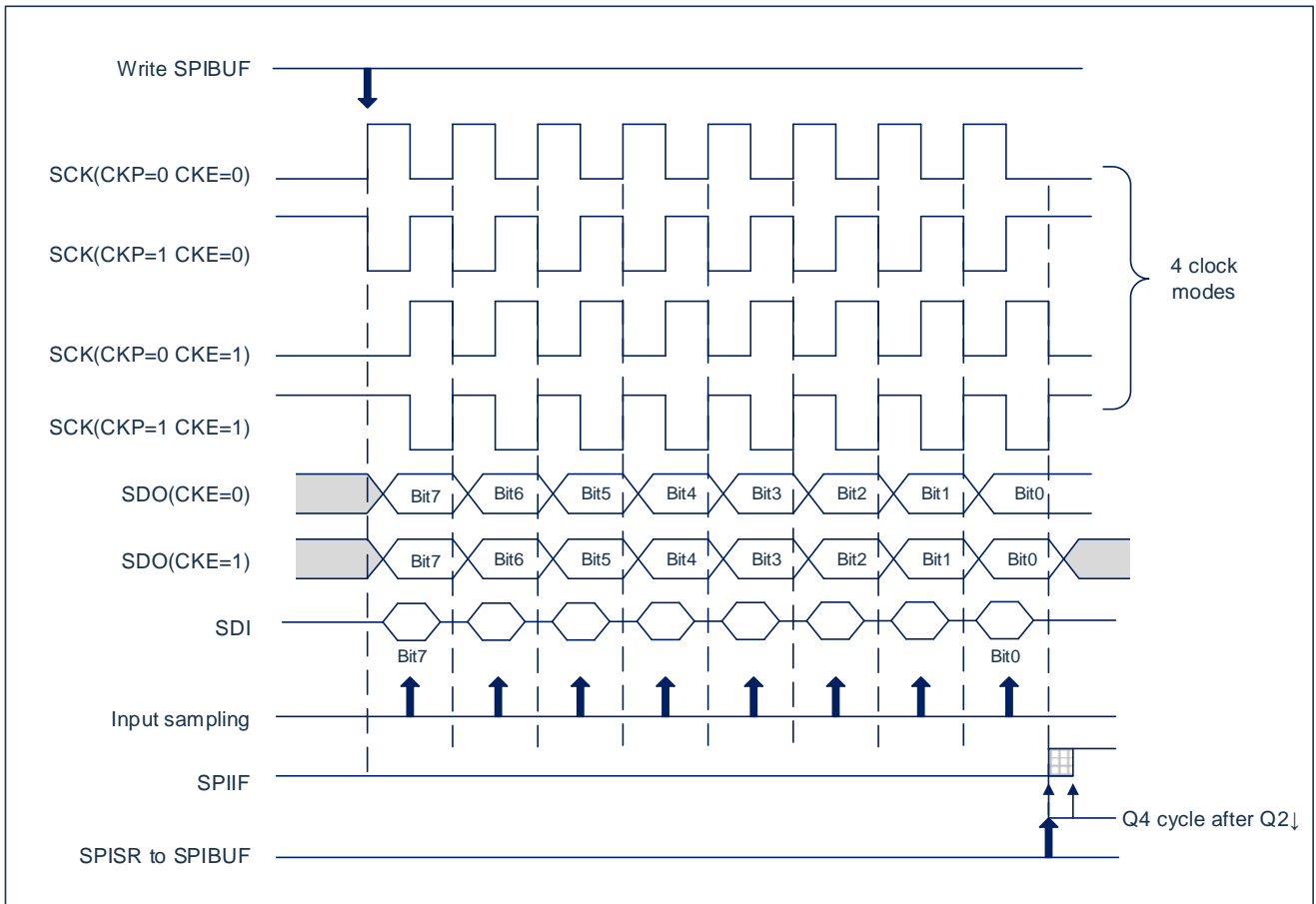


Fig17-2: SPI mode waveform (master control mode)

17.6 Slave Mode

In slave mode, when an external clock pulse appears on the SCK pin, transmit and receive data. When the last bit of data is latched, the SPIIF interrupt flag bit of PIR1 register is set to 1.

In slave mode, the clock is provided by the external clock source on the SCK pin. The external clock must meet the minimum time requirements for high and low levels specified in the electrical specifications.

17.7 Slave Synchronous Selection

SS pin allows the device to work in synchronous slave mode. SPI must work in slave mode, and enable SS pin to control $SPICON\langle 3:0 \rangle = 04h$. To use SS pin as input in, the pin driver cannot be set to low level. When the SS pin is low, the transmit and receive of the data are enabled, and the SDO pin is used by the driver. When the SS pin is high, the SDO pin is no longer derived even during the data transmit process. It becomes a floating output. According to the needs of the application, an external pull up/ pull down resistor can be connected.

After SPI mod reset, the bit counter is forced to 0. This can be achieved by forcing the SS pin to be pulled high or clearing the SPIEN bit. Connecting the SDO pin and the SDI pin can simulate a two-wire communication. When SPI When it needs to work as a receiver, SDO pin can be configured as input. This will disable the transmit data from SDO. Because SDI will not cause a bus conflict, it can always be reserved as input (SDI function).

Note:

1. When SPI works in slave mode and SS pin control is enabled ($SPICON\langle 3:0 \rangle = 0100$), if SS pin is set to VDD level, SPI mod will be reset.
2. If SPI is used in slave mode with CKE set ($SPICON2$ register), SS pin control must be enabled.

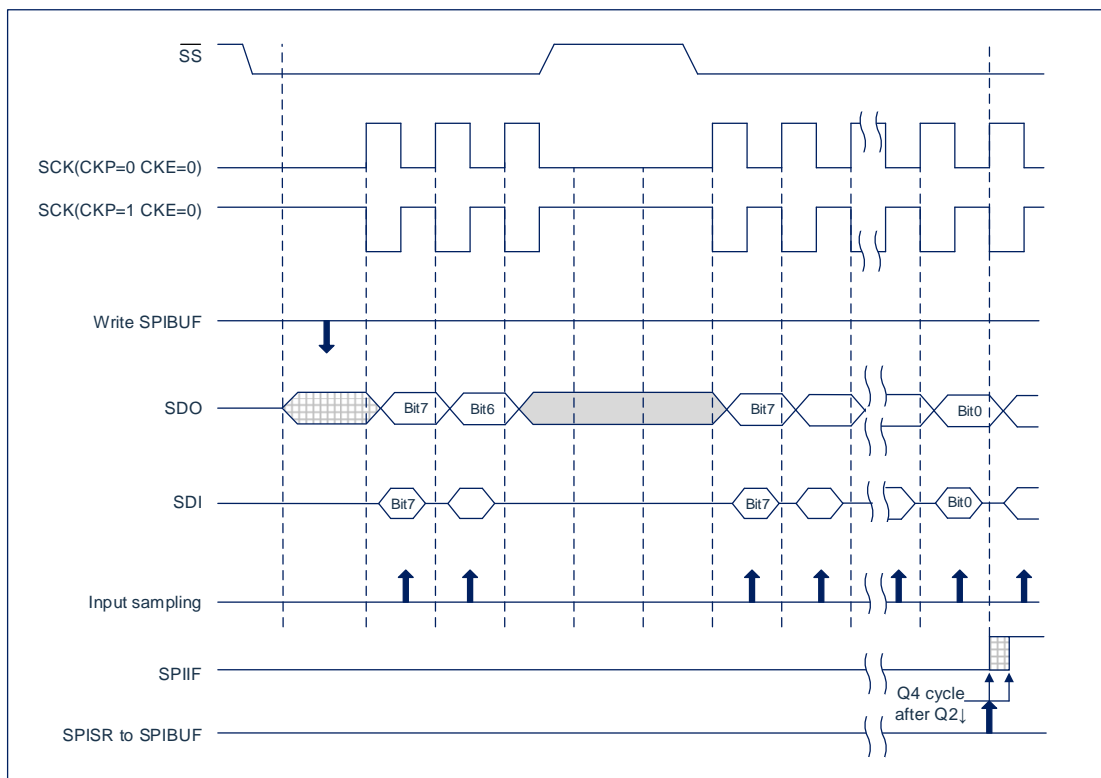


Fig 17-3: Slave synchronous waveform

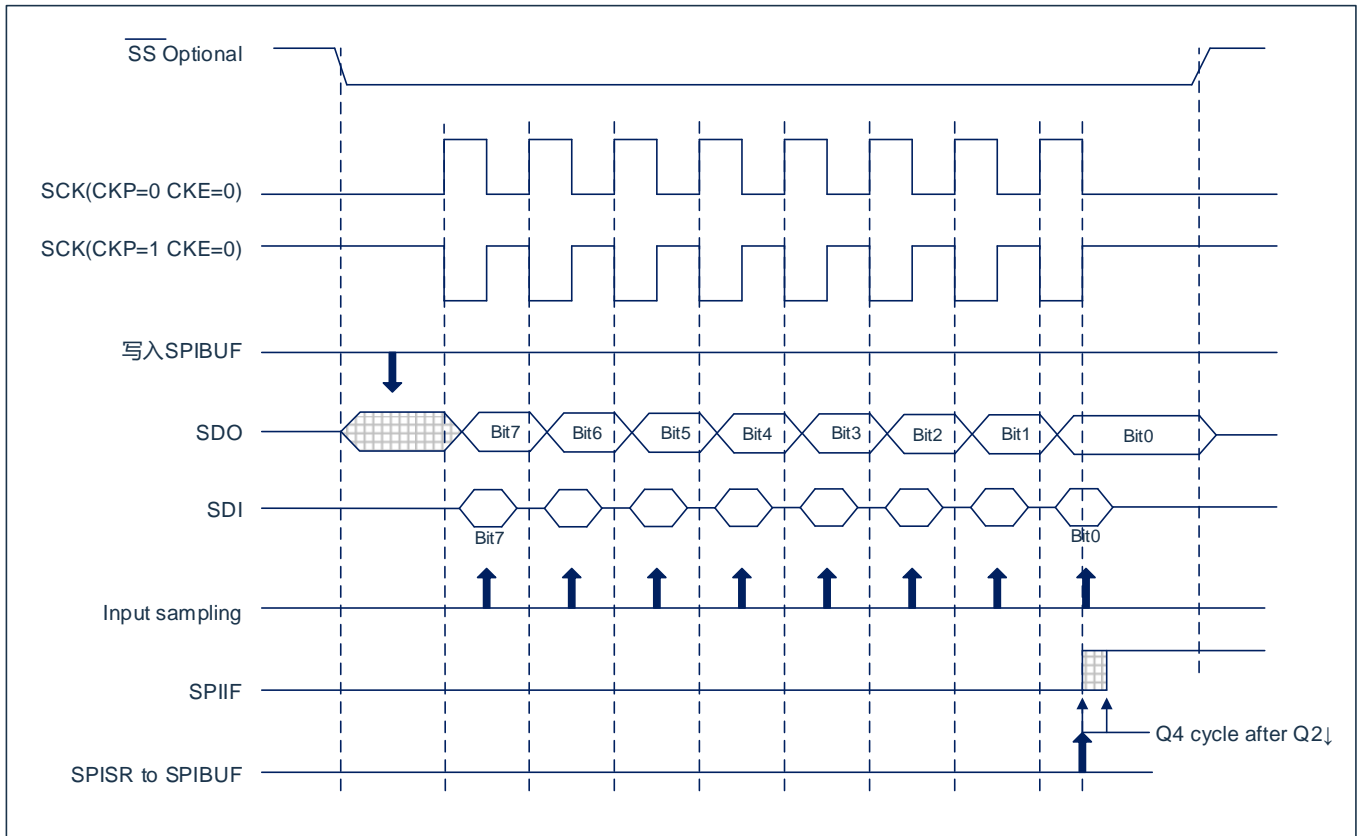


Fig 17-4: SPI mode waveform (slave mode, CKE=0)

17.8 Sleep Operation

In sleep mode, all mod clocks will stop, and before the device is awakened, transmit/receive will remain in this stagnant state. When the device returns to running mode, the mod will resume to transmit and receive data.

17.9 Effect of Reset

reset will disable SPI mod and terminate the current transmission.

18. IIC Mode

18.1 IIC Mode General

The IIC module can realize all master control and slave functions (including broadcast call support), and use hardware to provide interrupts of the start and stop bits to determine when the bus is idle (multi-master function). The IIC module implements standard mode specifications and 7-bit addressing.

There are two pins for data transmission. They are the clock pin (SCL) and the data pin (SDA). When using the IIC mode, the user must configure these pins as input pins through the corresponding TRIS bits.

By setting the IIC enable bit, IICEN, of the IICCON register to 1, IIC mod function is enabled.

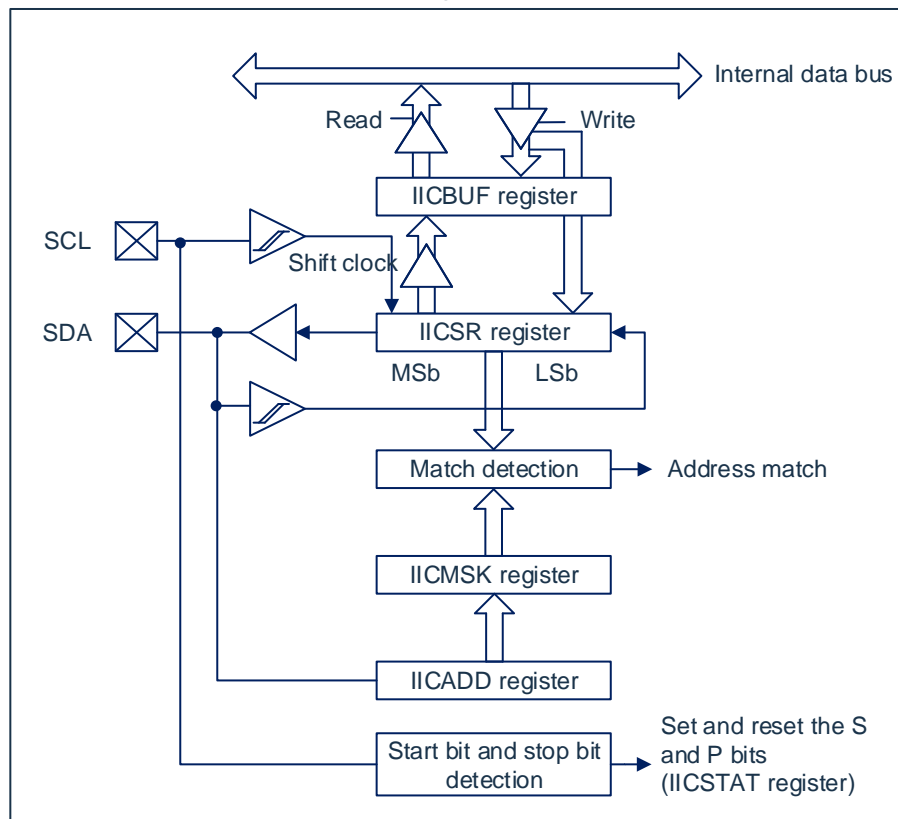


Fig18-1: I²C mode block diagram

Note: The I/O pin has protection diodes connected to VDD and VSS.

IIC mod has 7 registers for I²C operation. They are:

- ◆ IIC control register1 (IICCON)
- ◆ IIC control register2 (IICCON2)
- ◆ IIC status register (IICSTAT)
- ◆ serial receive/transmit buffer register (IICBUF)
- ◆ IIC shift register (IICSR): not directly accessible
- ◆ IIC address register (IICADD)
- ◆ IIC masking register (IICMSK)

You can use IICCON register to control the operation of I²C. You can use the IICM<1:0> mode selection bit (IICCON register) to select one of the following I²C modes:

- ◆ I2C slave mode (7-bit address)
- ◆ I2C master control mode,
clock=Fcpu/ (4* (IICADD+1))
- ◆ I2C slave mode, 7-bit address, allow start bit
and stop bit interrupt

If the SCL and SDA pins have been programmed as input pins (set the corresponding TRIS bit to 1), selecting any I²C mode and IICEN bit as 1 will force the SCL and SDA pins to be open drain.

18.2 IIC Related Register

IICSTAT: IIC status register (10FH)

10FH	Bit7	Bit6	Bit5	Bit4	Bit3	Bit2	Bit1	Bit0
IICSTAT	----	IDLE	D/A	P	S	R/W	----	BF
read/write	----	R	R	R	R	R	----	R
Reset value	----	1	0	0	0	0	----	0

Bit7	Not used.
Bit6	IDLE master control mode idle bit (Only the master control mode is valid, all master control operations can use this bit to determine whether to terminate) 1= No master control operation on the bus 0= The master control operation is in progress on the bus
Bit5	D/A: data/address bit. 1= Indicates that the last receive or transmit byte is data. 0= Indicates that the last receive or transmit byte is address.
Bit4	P: Stop bit (this bit is cleared when IIC mode is disabled (IICEN is cleared)). 1= Indicates that the stop bit was finally detected (the bit is 0 when reset). 0= Indicates that the stop bit was not detected at the end.
Bit3	S: Start bit (this bit is cleared when disable IIC mode (IICEN is cleared)). 1= Indicates that the start bit was finally detected (the bit is 0 when reset). 0= The start bit was not detected at the end.
Bit2	R/W: Read/write bit. This bit is used to save the R/W bit information after the last address match. This bit is only valid from the address match to the next start bit, stop bit or non-ACK bit. In I ² C slave mode: 1= read. 0= write. I ² C master control mode: 1= transmitting. 0= not transmitting. The result of logic OR operation between this bit and SEN, RSEN, PEN, RCEN or ACKEN will indicate whether IIC is in idle mode.
Bit1	Not used.
Bit0	BF buffer full status bit. receive: 1= receive complete, IICBUF full. 0= receive not complete, IIC BUF empty. transmit: 1 = data transmitting (not including ACK and stop bit), IICBUF full. 0 = data transmit complete (not including ACK and stop bit), IICBUF empty.

IICCON: IIC control register (10CH)

10CH	Bit7	Bit6	Bit5	Bit4	Bit3	Bit2	Bit1	Bit0
IICCON	IICWCOL	IICOV	IICEN	IICCKP	----	----	IICM1	IICM0
read/write	R/W	R/W	R/W	R/W	----	----	R/W	R/W
Reset value	0	0	0	0	----	----	0	0

Bit7	IICWCOL:	Write conflict detection bit. master control mode: 1= Trying to write to the IICBUF register when I ² C does not meet the condition of starting transmit data. 0= no conflict. Slave mode: 1= While transmitting the previous word, write the IICBUF register again (must clear through software). 0= no conflict.
Bit6	IICOV:	Receive overflow flag bit. (only valid in slave receive mode) 1= When the IICBUF register still maintains the previous data, it receives a new byte. In the transmit mode, the IICOV bit can be any value (this bit must be clear through software). 0= No overflow.
Bit5	IICEN:	IIC enable bit (These pins must be correctly configured as input pins). 1= Enable serial port and configure SDA and SCL pin as serial port pin. 0= Disable serial port and configure these pins as I/O port pins.
Bit4	IICCKP:	Clock polarity selection bit. In I ² C slave mode: SCK release control. 1 = enable clock. 0 = Keep clock line is low (clock extension) (used to ensure data establishment time).
Bit3~Bit2		In I ² C master control mode: Not used.
Bit1~Bit0	IICM<1:0>:	IIC mode selection bit. 00= I ² C master control mode, clock= $F_{cpu}/(8*(IICADD+1))$. 01= I ² C slave mode, 7-bit address, does not respond to start bit and stop bit interrupt. 10= I ² C slave mode, 7-bit address, allow start bit and stop bit interrupt. 11= Allow operation of IICMSK register

IICCON2: IIC control register2 (10DH)

10DH	Bit7	Bit6	Bit5	Bit4	Bit3	Bit2	Bit1	Bit0
IICCON2	GCEN	ACKSTAT	ACKDT	ACKEN	RCEN	PEN	RSEN	SEN
read/write	R/W	R/W	R	R/W	R/W	R/W	R/W	R/W
Reset value	0	1	0	0	0	0	0	0

- Bit7 GCEN: Broadcast call enable bit (only in I²C slave mode).
 1= It is allowed to generate interrupt when receiving to the general call address (0000h) in IICSR.
 0= Disable broadcast call address.
- Bit6 ACKSTAT: ACK status bit (only in I²C master control mode).
 In master control transmit mode:
 1 = Did not receive a response from the slave device.
 0 = A response from the slave device has been received.
- Bit5 ACKDT: ACK data bit (only in I²C master control mode).
 In master control receive mode:
 1 = not respond.
 0 = respond.
- Bit4 ACKEN: ACK enable bit (only in I²C master control mode).
 In master control receive mode:
 1 = Start the response sequence on the SDA and SCL pin, transmit ACKDT data bit. Automatically cleared by hardware.
 0 = Response sequence idle.
- Bit3 RCEN: Receive enable bit (only in I²C master control mode).
 1= Enable I²C receive mode.
 0= Receive idle.
- Bit2 PEN: stop enable bit (only in I²C master control mode).
 1 = Start stop condition on SDA and SCL pin. Automatically cleared by hardware.
 0 = stop condition idle.
- Bit1 RSEN: Repeat enable bit (only in I²C master control mode).
 1= Initiate repeated start conditions on the SDA and SCL pins. Automatically cleared by hardware.
 0= Repeated start condition is idle.
- Bit0 SEN: Start enable bit.
 In master control mode:
 1 = Start the start conditions on the SDA and SCL pins. Automatically cleared by hardware.
 0 = start condition is idle.
 In slave mode:
 1 = Both transmit and receive will enable clock extension (enable clock extension).
 0 = disable clock extension.

18.3 Master Control Mode

The master control mode works by generating interrupt when the start and stop conditions are detected. The stop (P) bit and the start (S) bit are cleared when reset or disable IIC mod. When the P bit is set to 1, the control of I2C bus can be obtained; otherwise the bus is idle, and both the P and S bits are zero.

In master control mode, the SCL line is manipulated by the IIC hardware, and SDA pin must be configured as input (TRISB<2> is set to 1). The following events will set the IIC interrupt flag bit IICIF to 1 (if IIC interrupt is allowed, interrupt will be generated):

- ◆ Start condition
- ◆ Data transmission byte has been transmitted/received
- ◆ Repeated start conditions
- ◆ Stop condition
- ◆ Reply to transmit

18.3.1 I²C Master Control Mode Support

The master control mode can be enabled by setting the corresponding IICM bit in IICCON to 1 or clearing it and setting the IICEN bit to 1. Once the master control mode is enabled, the user can select the following 6 operations:

1. Issue a start condition on SDA and SCL.
2. Issue a repeated start condition on SDA and SCL.
3. Write the IICBUF register to start data/address transmit.
4. Generate a stop condition on SDA and SCL.
5. Configure the I2C port to receive data.
6. The response condition is generated after the data byte is received.

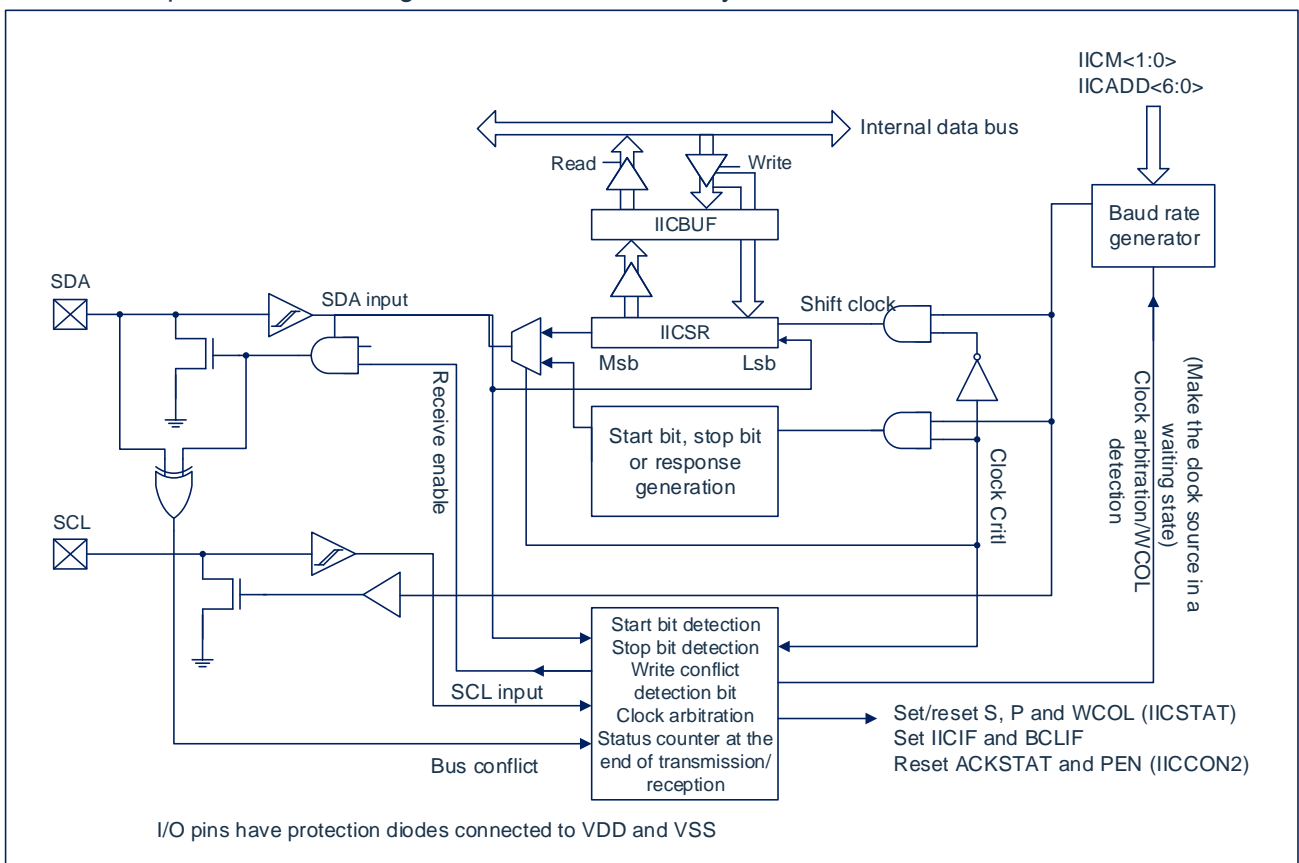


Fig 18-2: IIC block diagram (I²C™ master control mode)

Note: When configured as I²C master mode, IIC module does not allow event queuing. For example, before the end of the start condition, the user is not allowed to issue another start condition and write to the IICBUF register immediately to initiate the transfer. In this case, IICBUF will not be written and the WCOL bit will be set to 1, which indicates that no write operation to IICBUF has occurred.

18.3.1.1 I²C Master Control Mode Operation

All serial clock pulses and start/stop conditions are generated by the master device. The stop condition or the repeated start condition can end the transmission. Because the repeated start condition is also the beginning of the next serial transmission, the I²C bus will not be released. In the master control transmit mode, the serial data is output through SDA, and the serial clock is output by SCL. The first byte of the transmit includes the address (7 bits) and read/write (R/W) bits of the receiver. In this case, R/W bit will be logic 0. Serial data transmits 8 bits each time. Every time a byte is transmitted, an acknowledge bit will be received. The output of the start and stop conditions indicates the start and end of the serial transmission.

In master control receive mode, the first byte of transmit includes the address (7 bits) of the transmit device and the R/W bit. In this case, the R/W bit will be logic 1. Therefore, the first byte of transmit byte is a 7-bit slave device address, followed by 1 to indicate receive. The serial data is received through SDA, while the serial clock is output by SCL. Every time 8 bits of serial data are received. Every time a byte is received, an answer bit will be transmitted. Start and stop conditions indicate the start and end of transmit, respectively.

In I²C mode, the baud rate generator used in SPI mode is used to set the SCL clock frequency to 100KHz, 400KHz or 1MHz. The reload value of the baud rate generator is located in the lower 7 bits of the IICADD register. When a write to IICBUF occurs during operation, the baud rate generator will automatically start counting. If the specified operation is completed (ie, the last data bit of transmit is followed by ACK), the internal clock will automatically stop counting, and the SCL pin will remain in its last state.

The following is a typical transmit event sequence:

- The user generates a start condition by setting the start enable bit SEN (IICCON2 register) to 1.
- IICIF set to 1. Before performing any other operations, IIC mod will wait for the required startup time.
- The user will load the IICBUF from the device address to transmit.
- The address is moved out of the SDA pin until all 8 bits are transmitted.
- IIC mod shifts in the ACK bit from the slave device and writes its value into the ACKSTAT bit of the IICCON2 register.
- IIC mod sets the IICIF bit to 1 at the end of the 9th clock period, generating an interrupt.
- The user loads 8-bit data into IICBUF.
- Data is moved out from the SDA pin until all 8 bits are transmitted.
- IIC mod shifts in the ACK bit from the slave device and writes its value into the ACKSTAT bit of the IICCON2 register.
- IIC mod sets the IICIF bit to 1 at the end of the 9th clock, generating an interrupt.
- The user generates a stop condition by setting the stop enable bit (PEN) bit (IICCON2 register) to 1.
- Once the stop condition is completed, an interrupt will be generated.

18.3.2 Baud Rate Generator

In I²C master control mode, the baud rate generator reloaded value is located in the lower 7 bits of the IICADD register (Figure 18-3). When the value is loaded, the baud rate generator will automatically start counting and decrement to 0, and then stop until the next reload. BRG will count down twice on the Q2 and Q4 clock periods in each instructions period (TCY). In I²C master control mode, BRG will be automatically reloaded. For example, when clock arbitration occurs, BRG will be reloaded when SCL pin is sampled to high level (Figure 18-4).

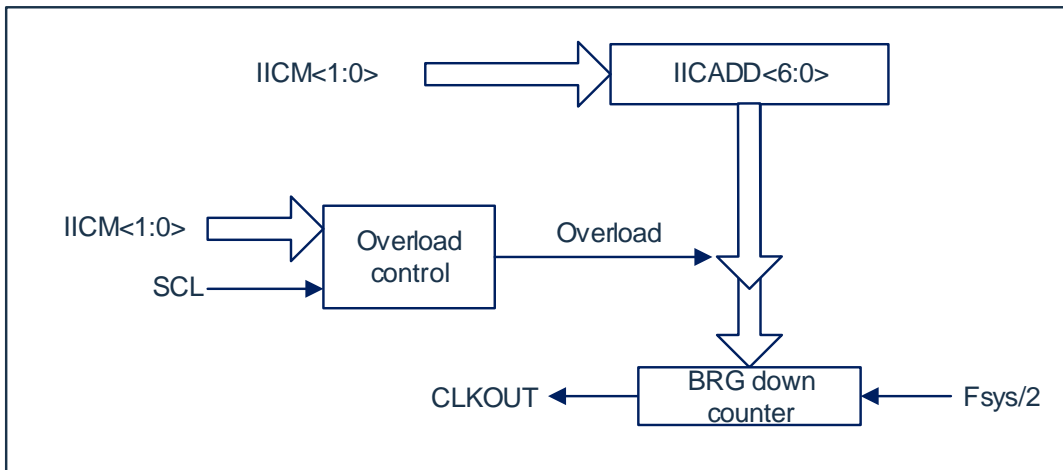


Fig 18-3: baud rate generator block diagram

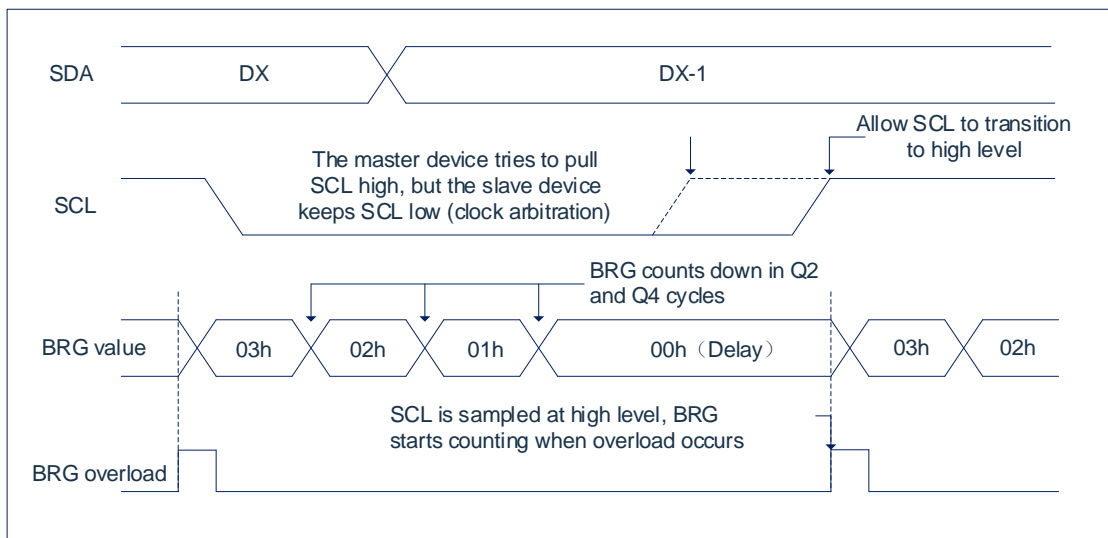


Fig 18-4: Time series of baud rate generator with clock arbitration

18.3.3 I²C Master Control Mode Transmit

Transmit a data byte and a 7-bit address can be achieved directly by writing a value to the IICBUF register. This operation will set the buffer full flag bit BF to 1, and the baud rate generator will start counting, and at the same time start the next transmit. After the falling edge of SCL is valid, each bit of address/data will be shifted out to the SDA pin. In a baud rate generator full return count period (TBRG), SCL remains low. Data should be released to high level in SCL when SCL pin is released to high level, it will remain high for the entire TBRG. During this period and a period of time after the next SCL falling edge, the data on the SDA pin must remain stable. After the 8th bit is shifted out (the falling edge of the 8th clock period), the BF flag bit is cleared, and the master device releases SDA.

At this time, if an address match occurs or data is correctly received, the addressed slave device will respond with an ACK bit at the 9th bit time. The ACK status is written to the ACKDT bit at the falling edge of the 9th clock period. After master device receiving the response, the response status bit ACKSTAT will be cleared; if the response is not received, the bit will be set to 1. After the 9th clock, the IICIF bit will be set to 1, and the master control clock (baud rate generator) will be suspended until the next data byte is loaded into IICBUF, SCL pin remains low and SDA remains unchanged.

After writing IICBUF, each bit of address is shifted out on the falling edge of SCL until all 7 bits of address and R/W bit are shifted out. At the falling edge of the eighth clock, the master device pulls the SDA pin to high level to allow the slave device to send an acknowledgment response. At the falling edge of the 9th clock, the master device determines whether the address is recognized by the slave device by sampling the SDA pin. The status of the ACK bit is loaded into the ACKSTAT status bit (IICCON2 register). After the 9th clock falling edge of the transmit address, IICIF is set to 1, the BF flag bit is cleared, the baud rate generator is turned off until the next write operation to IICBUF, and the SCL pin remains low, allowing the SDA pin to suspend.

18.3.3.1 BF Status Indication

In transmit mode, the BF bit (IICSTAT register) is set to 1 when the CPU writes IICBUF, and is cleared after all 8 bits of data are shifted out.

18.3.3.2 WCOL Status Indication

If the user writes IICBUF during the transmit process (that is, when the IICSR is still moving out of the data byte), WCOL is set to 1 and the contents of the buffer remain unchanged (no write operation has occurred). WCOL must clear through software.

18.3.3.3 ACKSTAT Status Indication

In transmit mode, when the slave device transmits a response (ACK=0), the ACKSTAT bit (IICCON2 register) is cleared; when the slave device does not respond (ACK=1), the bit is 1. The slave device recognizes its address (Including the broadcast call address) or after receiving the data correctly, a response will be transmitted.

18.3.4 I²C Master Control Mode Receive

By programming receive enable bit RCEN (IICCON2 register) to enable master control mode receive. The baud rate generator starts counting, and each time the count returns, the state of the SCL pin changes (from high to low or from low to high), and data is shifted into IICSR. After the falling edge of the eighth clock, the receive enable flag bit is automatically cleared, the content of IICSR is loaded into IICBUF, the BF flag bit is set to 1, the IICIF flag bit is set to 1, the baud rate generator pauses counting, and the SCL remains at low level. At this time, IIC is in idle state, waiting for the next command. When the CPU reads the buffer, the BF flag bit will be automatically cleared. By setting the response sequence enable bit ACKEN (IICCON2 register) to 1, the user can end the receive transmit response bit.

18.3.4.1 BF Status Indication

When receiving, when the address or data byte is loaded from IICSR into IICBUF, the BF bit is set to 1, and the BF bit is cleared when reading the IICBUF register.

18.3.4.2 WCOL Status Indication

If the user writes IICBUF during the receive process (that is, when the IICSR is still moving into the data byte), the WCOL bit is set to 1, and the buffer content remains unchanged (no write operation has occurred).

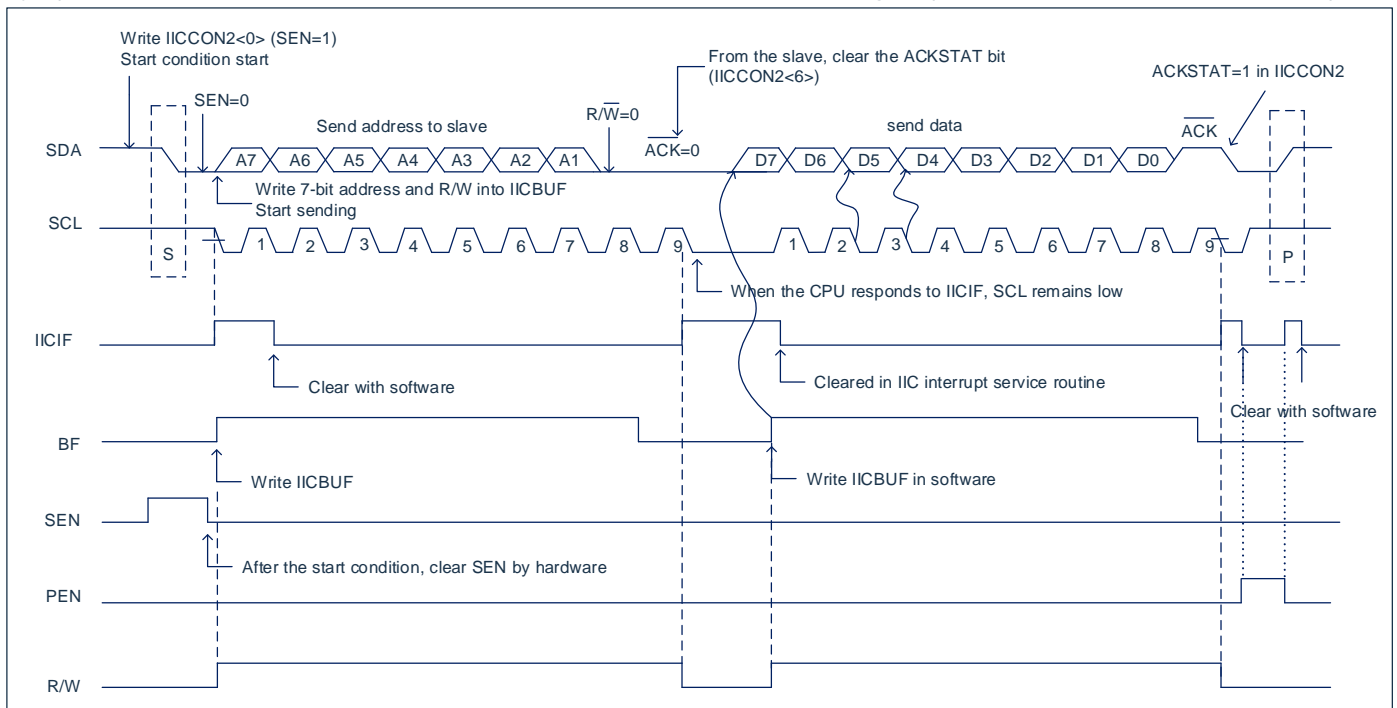


Fig 18-5: time series of I²C™ master control mode transmit

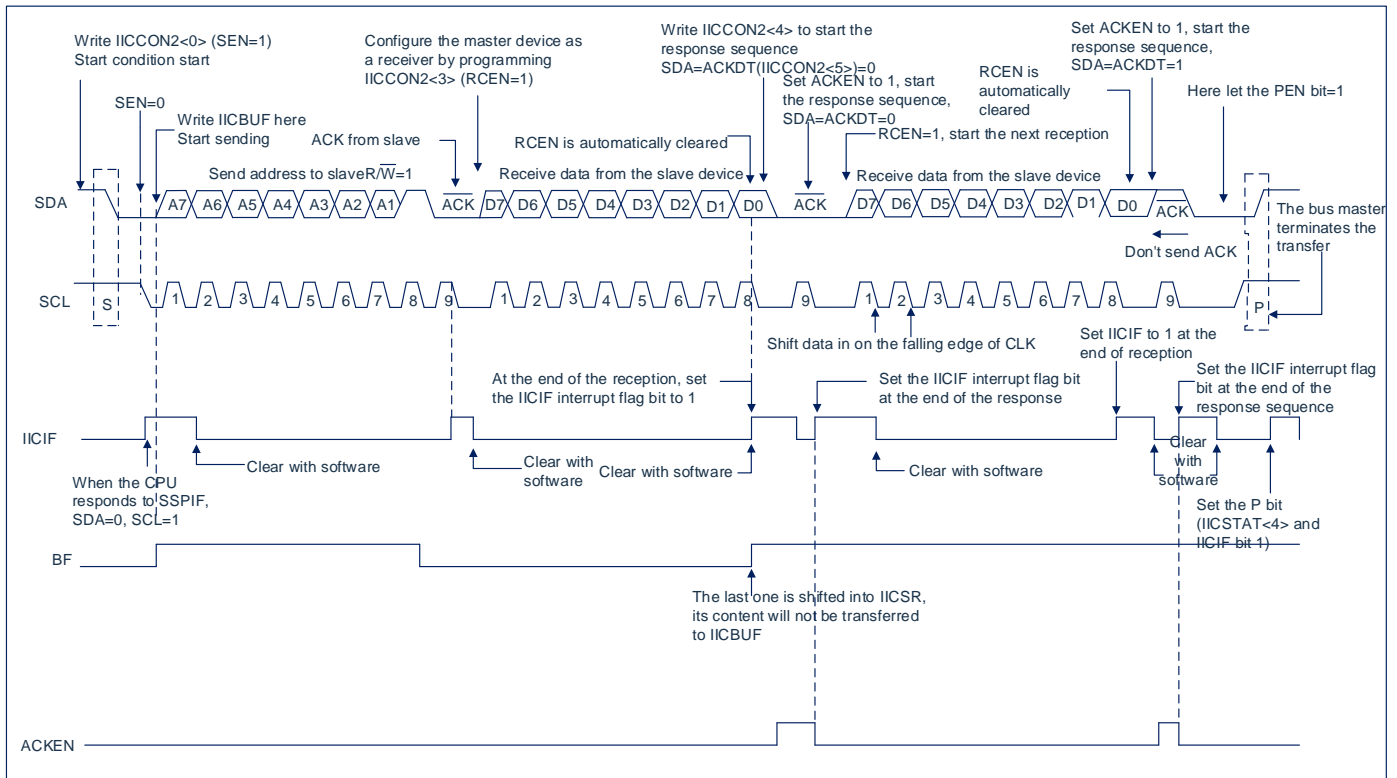


Fig 18-6: Time series of I²C™ master control mode receive (7-bit address)

18.3.5 I²C Master Control Mode Start Condition Time Series

To initiate a start condition, the user should set the start condition enable bit SEN of the IICCON2 register to 1. When both SDA and SCL pins are sampled as high, the baud rate generator reloads the contents of IICADD<6:0> and starts counting. When the baud rate generator timeout (T_{BRG}) occurs, if both SCL and SDA are sampled as high level, the SDA pin is low level by the driver. When SCL is high level, setting the SDA driver to low level is the startup condition. Set the S bit (IICSTAT register) to 1. Then the baud rate generator reloads the contents of IICADD<6:0> and resumes counting. When the baud rate generator times out (T_{BRG}), the SEN bit of the IICCON2 register will be automatically cleared by hardware. The baud rate generator is paused, the SDA line remains low, and the start condition ends.

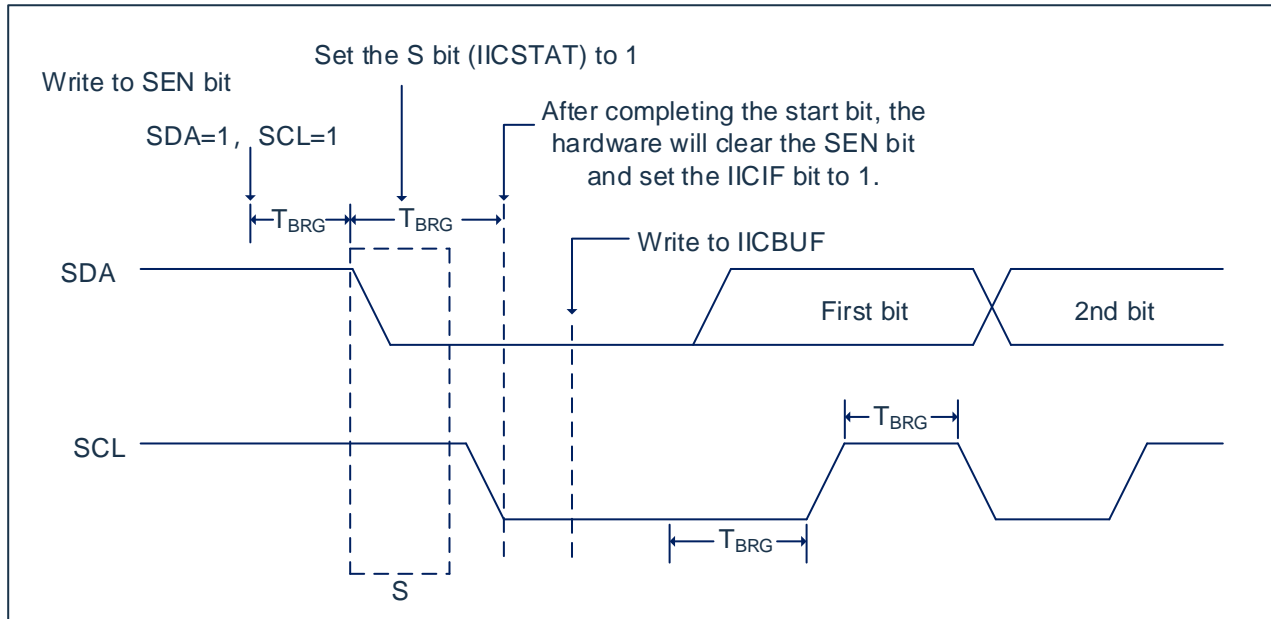


Fig 18-7: time series for the first starting bit

18.3.5.1 WCOL Status Indication

When the startup sequence is in progress, if the user writes IICBUF, WCOL is set to 1, and the buffer content remains unchanged (no write operation has occurred).

Note: Since event queues are not allowed, the lower 5 bits of IICCON2 cannot be written before the start condition ends.

18.3.6 I²C Master Control Mode Repeat Condition Time Series

When the RSEN bit (IICCON2 register) is programmed to be high and the I²C logic mod is in an idle state, a repeated start condition will occur. When the RSEN bit is 1, the SCL pin is pulled low. When the SCL pin is sampled low, baud rate generator loads the contents of IICADD<6:0> and starts counting. In a baud rate generator counting period (T_{BRG}), the SDA pin is released (its pin level is pulled high). When baud rate generator timeout, if SDA is sampled as high, SCL pin will be pulled high. When SCL pin is sampled as high, the baud rate generator will be reloaded into the contents of IICADD<6:0> and start counting. SDA and SCL must be in one count period T_{BRG} and sampled as high level. Then the SDA pin is pulled low ($SDA = 0$) and keeps a count period T_{BRG} while SCL is high level. Then the RSEN bit (IICCON2 register) will be automatically cleared, the baud rate generator will not be reloaded, and the SDA pin remains low. Once the start condition is detected on the SDA and SCL pins, the S bit (IICSTAT register) will be set to 1. The IICIF bit will not be set to 1 until the baud rate generator times out.

Once the IICIF bit is set to 1, the user can write the 7-bit address into IICBUF. When the first 8 bits are transmitted and an ACK is received, the user can transmit 8-bit data.

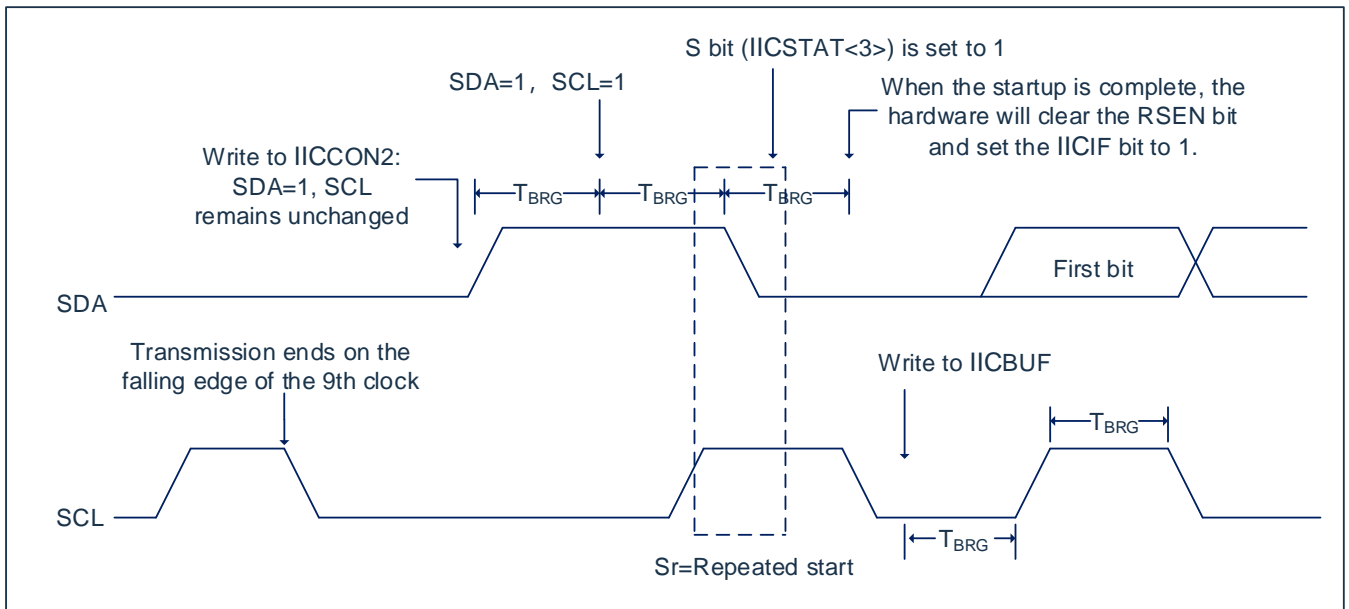


Fig 18-8: time series of repeat condition

18.3.6.1 WCOL Status Indication

When the repeated start sequence is in progress, if the user writes IICBUF, IICWCOL is set to 1, and the buffer content remains unchanged (no write operation has occurred).

Note: As events are not allowed to be queued, the lower 5 bits of IICCON2 cannot be written until the repeated start condition ends.

18.3.7 ACK Time Series

Set the ACK enable bit ACKEN (IICCON2 register) to 1 to enable the acknowledgement. When this bit is set to 1, the SCL pin is pulled low, and the content of the ACK data bit appears on the SDA pin. If the user wants to generate a response, it should clear the ACKDT bit to zero; otherwise, the user should set the ACKDT bit to 1 before the start of the ACK. Then the baud rate generator counts the full return period (T_{BRG}), and then the SCL pin level is pulled high. When the SCL pin is sampled as at high level (clock arbitration), baud rate generator counts for another T_{BRG} period. Then SCL pin is pulled low. After that, the ACKEN bit is automatically cleared, baud rate generator is turned off, and IIC mod enters idle mode.

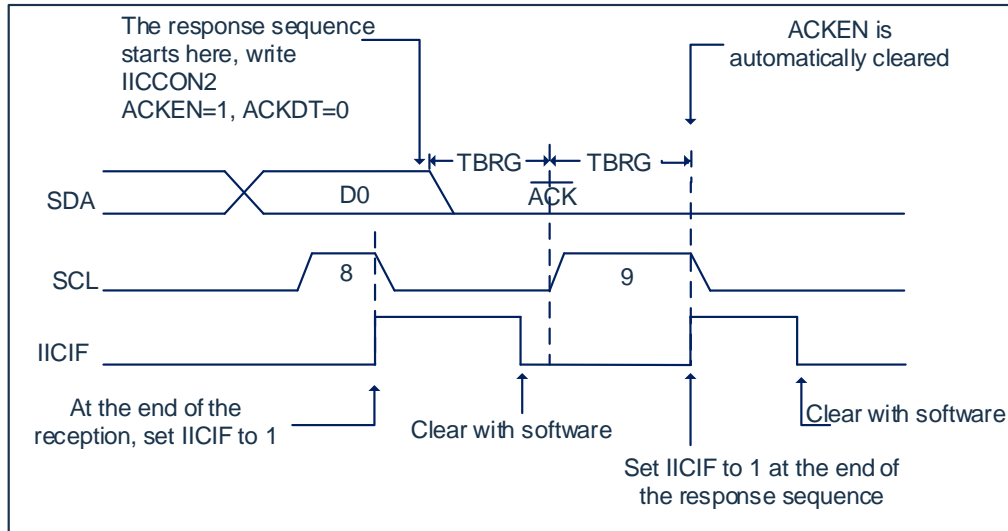


Fig 18-9: times series for ACK

Note: T_{BRG} = 1 baud rate generator period.

18.3.7.1 WCOL Status Indication

If the user writes IICBUF while the ACK sequence is in progress, IICWCOL will be set to 1 and the contents of the buffer will remain unchanged (no write operation has occurred).

18.3.8 Stop Condition

At the end of receive/transmit, by setting the enable bit of the stop sequence, PEN (IICCON2 register), the SDA pin will generate a stop bit. At the end of receive/transmit, the SCL pin will remain low after the falling edge of the 9th clock Level. When the PEN bit is 1, the master control device sets SDA low. When the SDA line is sampled low, the baud rate generator is reloaded with the value and counts down to 0. When the baud rate generator times out, The SCL pin is pulled to a high level, and after a T_{BRG} (baud rate generator counts back to zero), SDA pin is pulled to a high level again. When SDA pin is sampled as high and SCL is also high, the P bit (IICSTAT register) set to 1. After a T_{BRG} period, the PEN bit is cleared and the IICIF bit is set to 1.

18.3.8.1 WCOL Status Indication

If the user attempts to write IICBUF during the stop sequence, the WCOL bit will be set to 1, and the contents of the buffer will not change (no write operation has occurred).

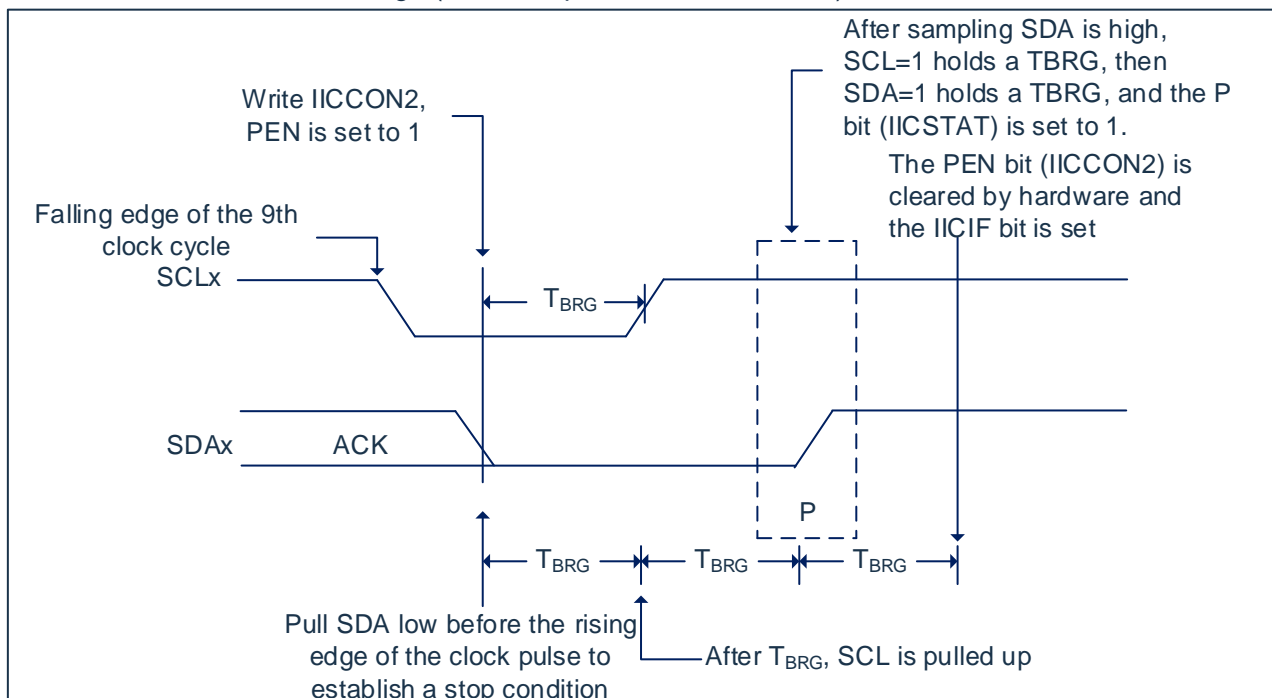


Fig 18-10: stop condition receive or transmit mode

Note: $T_{BRG}=1$ baud rate generator period.

18.3.9 Clock Arbitration

If during any receive, transmit, or repeated start/stop conditions, the master device pulls up the SCL pin (allowing the SCL pin to float high), clock arbitration will occur. If the SCL pin is allowed to float high, the baud rate generator (BRG) will pause counting until the SCL pin is actually sampled high. When the SCL pin is sampled high, the baud rate generator will be reloaded with the contents of IICADD<6:0> and start counting. This can ensure that when the external device pulls the clock low, the SCL always maintains high for at least one BRG full return period.

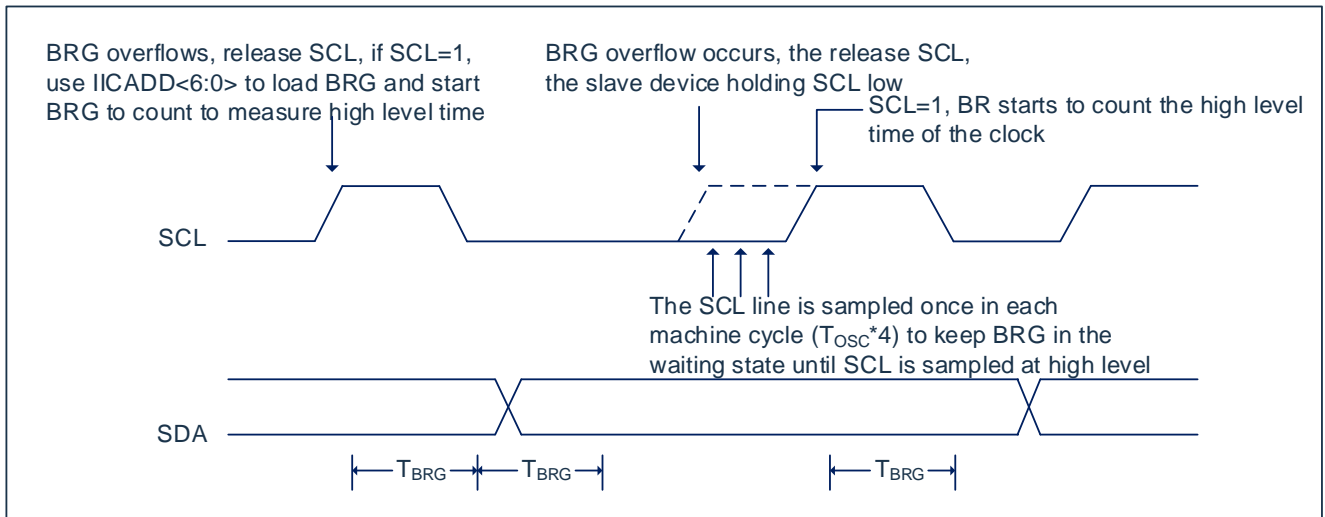


Fig 18-11: clock arbitration in master control transmit mode

18.3.10 Multi Master Mode

In multi-master mode, it can be determined when the bus is free by generating interrupt when the start and stop conditions are detected. The stop (P) bit and the start (S) bit are cleared when reset or disable IIC mod. When the P bit is set to 1, you can get control of the I²C bus; otherwise, the bus is in an idle state, and the P and S bits are cleared. When the bus is busy, if a stop condition occurs, an interrupt will be generated (if IIC interrupt is allowed).

When working in multi-master mode, you must monitor the SDA line for arbitration to see if the signal level is the expected output level. This check is done by hardware, and the result is placed in the BCLIF bit.

Arbitration may fail under the following conditions:

- ◆ address transmission
- ◆ Start condition
- ◆ ACK conditions
- ◆ data transmission
- ◆ Repeated start condition

18.3.11 Multi Master Communication, Bus Conflict and Bus Arbitration

Multi-master mode is supported by bus arbitration. When the master device outputs the address/data bit to the SDA pin, if one master device outputs 1 on SDA by floating the SDA pin to high level, and the other master device outputs 0, bus arbitration will occur. If the expected data on the SDA pin is 1, and the data actually sampled on the SDA pin is 0, a bus conflict has occurred. The master device will set the bus conflict interrupt flag bit IICIF to 1, and reset the I²C port to idle state.

If a bus conflict occurs during the transmit process, the transmit stops, the BF flag bit is cleared, the SDA and SCL lines are pulled high, and IICBUF is allowed to be written. After the bus conflict interrupt service program is executed, if the I²C bus is free, user can resume communication by issuing a start condition. If a bus conflict occurs during the start, repeated start, stop, or response condition, the condition is aborted, the SDA and SCL lines are pulled high, and the corresponding control bit in the IICCON2 register is cleared. After executing the bus conflict interrupt service program, if the I²C bus is free, the user can resume communication by issuing a start condition. The master device will continue to monitor SDA and SCL pin. If a stop condition occurs, the IICIF bit will be set to 1. No matter what bus occurs What is the progress of the transmit during conflict, writing IICBUF will start transmitting data from the first data bit.

In multi-master mode, the interrupt can be generated when the start and stop conditions are detected to determine when the bus is free. When the P bit is set to 1, you can obtain control of the I2C bus, otherwise the bus is free and the S and P bits are cleared.

18.4 Slave Mode

In slave mode, SCL pin and SDA pin must be configured as input. When needed (such as from the transmitter), the IIC mod will use output data to rewrite the input state.

When the address matches or the data transmitted after the address matches is received, the hardware will automatically generate an acknowledge (ACK) pulse, and load the data received in the IICSR register at the time into the IICBUF register.

As long as one of the following conditions is met, IIC mod will not generate this ACK pulse:

- The buffer full flag bit BF (IICCON register) is 1 before the received data to be transmitted.
- Before receiving the transmitted data, the overflow flag bit IICOV (IICCON register) has been set 1

In this case, the value of IICSR register will not be loaded into IICBUF, but the IICIF bit of PIR1 register will be set to 1. The BF bit is cleared by reading the IICBUF register, and the IICOV bit is cleared by software.

To ensure normal operation, SCL clock input must meet the minimum high-level time and minimum low-level time requirements.

18.4.1 Addressing

Once IIC mod is enabled, it will wait for the start condition to be generated. After the start condition occurs, 8 bits of data are shifted into the IICSR register. All input bits are sampled on the rising edge of the clock (SCL) line. Register IICSR<7:1> The value will be compared with the value of the IICADD register. The comparison is performed on the falling edge of the 8th clock pulse (SCL). If the address matches and the BF bit and IICOV bit are zero, the following events will occur:

- The value of IICSR register is loaded into IICBUF register.
- The buffer full flag bit BF is set to 1.
- Generate ACK pulse.
- On the falling edge of the 9th SCL pulse, the IIC interrupt flag bit IICIF of the PIR1 register is set to 1 (interrupt is generated if interrupt is allowed).

18.4.2 Receiving

When the R/W bit of the address byte is cleared and an address match occurs, the R/W bit of the IICSTAT register is cleared. The received address is loaded into the IICBUF register.

When there is an address byte overflow condition, an acknowledge pulse (ACK) will not be generated. The overflow condition means that the BF bit (IICSTAT register) is set to 1, or the IICOV bit (IICCON register) is set to 1. Each data transmission byte will generate an IIC interrupt. The interrupt flag bit IICIF of the PIR1 register must be cleared by software. The IICSTAT register is used to determine the status of the byte.

18.4.3 Transmit

When the R/W bit of the received address byte is 1 and an address match occurs, the R/W bit of the IICSTAT register is 1. The received address is loaded into the IICBUF register. The ACK pulse is transmitted on the 9th bit while the SDA pin remains low. The transmitted data must be loaded into the IICBUF register and also into the IICSR register. Then the CKP bit (IICCON register) should be set to 1 to enable the SCL pin. Before transmitting another clock pulse, the master control device must monitor the SCL pin. The slave device can suspend the data transmission with the master control device by extending the clock. 8 data bits are shifted out on the falling edge of the SCL input. This ensures that the SDA signal is valid during the SCL high level.

Each byte of data transmission will generate an IIC interrupt. The IICIF flag bit must be clear through software, and the IICSTAT register is used to determine the status of the byte. The IICIF bit is set at the falling edge of the 9th clock pulse. The ACK pulse from the main receiver will be latch on the rising edge of the 9th pulse of SCL input. If the SDA line is high (no ACK), then the data transfer has been completed. In this case, if the slave device latches the ACK, reset the slave logic (Reset IICSTAT register), while the slave device monitors the appearance of the next start bit. If the SDA line is low (ACK), then the data to be transmitted must be loaded into the IICBUF register, which will also load the IICSR register. IICCKP should be set 1 to enable SCL.

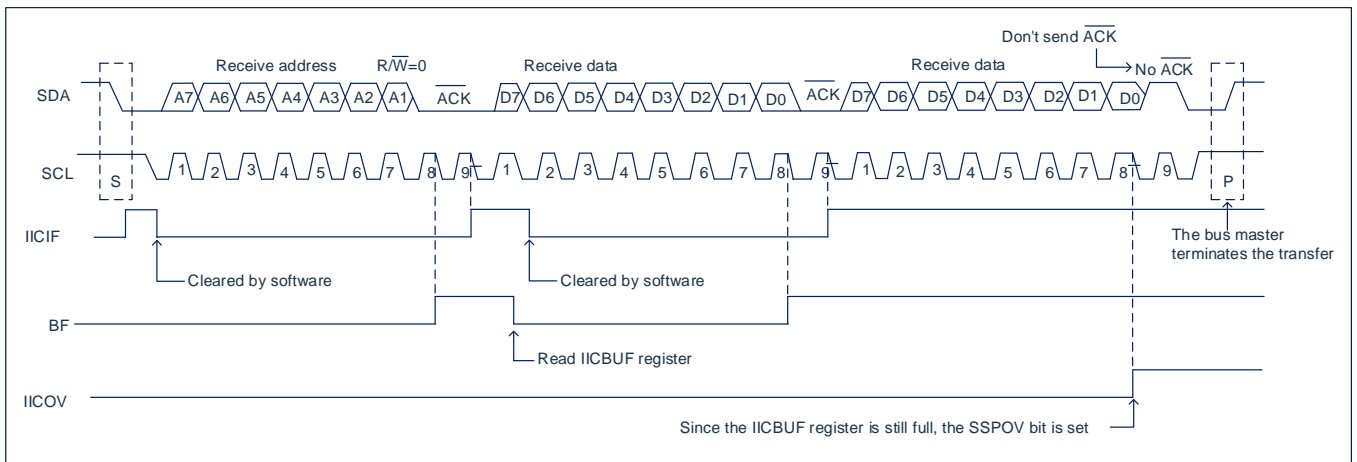


Fig 18-12: Time series for I²C™ slave mode receive

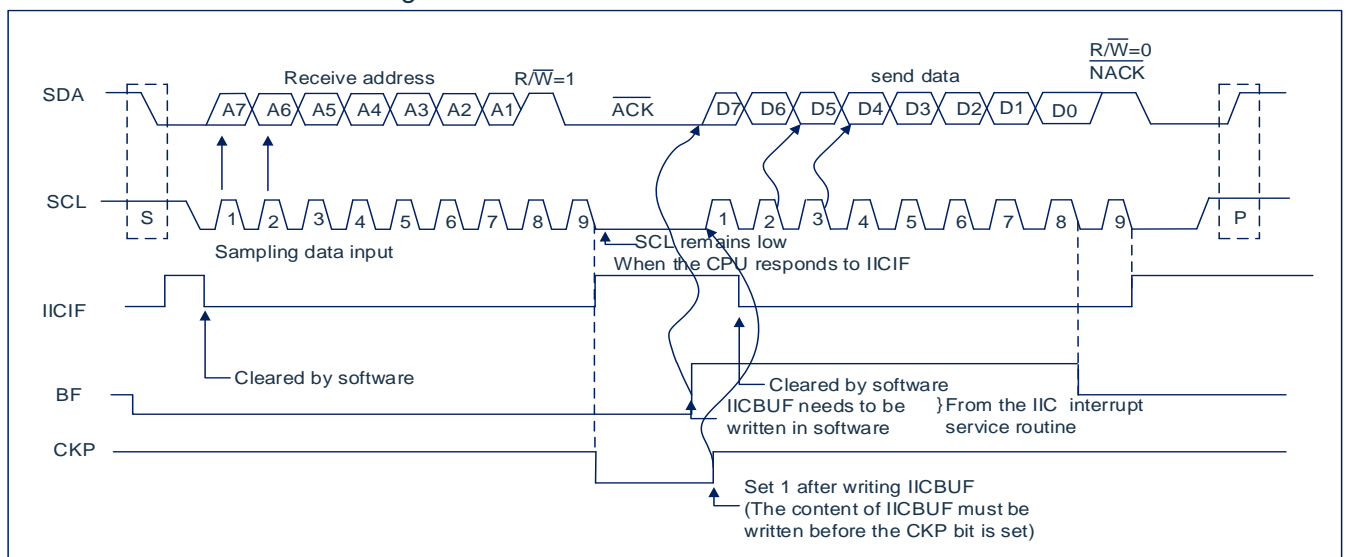


Fig 18-13: I²C™ slave mode transmit

18.4.4 I2C Masking Register

In I²C slave mode, the IIC mask (IICMSK) register is used to mask the value in the IICSR register under the address compare operation. A bit of 0 in the IICMSK register will make the corresponding bit in the IICSR register a "don't care".

This register is reset to all 1s when any reset condition occurs. Therefore, it has no effect on the standard IIC operation before writing the mask value. The register must be initialized before selecting the I²C slave mode by setting the IICM<1:0> bits. This register can only be accessed after the appropriate mode is selected through the IICM<1:0> bits of IICCON.

The IIC masking register is valid in the following situations:

- 7-bit address mode: perform address compare with A<7:1>.

IIC masking is invalid during the period from receive to the first (high) byte of address.

IICMSK: IIC masking register (I09H)⁽¹⁾

109H	Bit7	Bit6	Bit5	Bit4	Bit3	Bit2	Bit1	Bit0
IICMSK	MSK7	MSK6	MSK5	MSK4	MSK3	MSK2	MSK1	---
read/write	R/W	R/W	R/W	R/W	R/W	R/W	R/W	---
Reset value	1	1	1	1	1	1	1	---

Bit7~Bit1

MSK<7:1>: Mask bit.

1= Bit n of the received address is compared with IICADD<n> to detect the match of the I²C address.

0= Bit n of the received address is not used to detect I²C address matching.

Bit 0

not used.

Note:

- 1) When the IICCON bit IICM<1:0> = 11, any read or write operation to the IICADDSFR address is performed through the IICMSK register.
- 2) In all other IIC modes, this bit is invalid

18.5 Operation Under Sleep Mode

In sleep mode, I2C mod cannot be used.

18.6 Effect of Reset

Reset will disable IIC mod and terminate the current transmission.

19. Touch Button

19.1 Touch Button Mod General

The touch detection mod is an integrated circuit designed to realize a human touch interface. It can replace mechanical touch buttons to achieve a waterproof and dustproof, sealed and isolated, sturdy and beautiful operation interface.

technical parameter:

- ◆ 1-8 buttons are optional
- ◆ Adjustable sensitivity by change external touch capacitance
- ◆ Touch button effective response time lower than 100ms

16 bit high-precision CDC (digital capacitance converter) and the capacitance change on the IC sensing disk (capacitance sensor) are used to recognize the touch action of person's fingers.

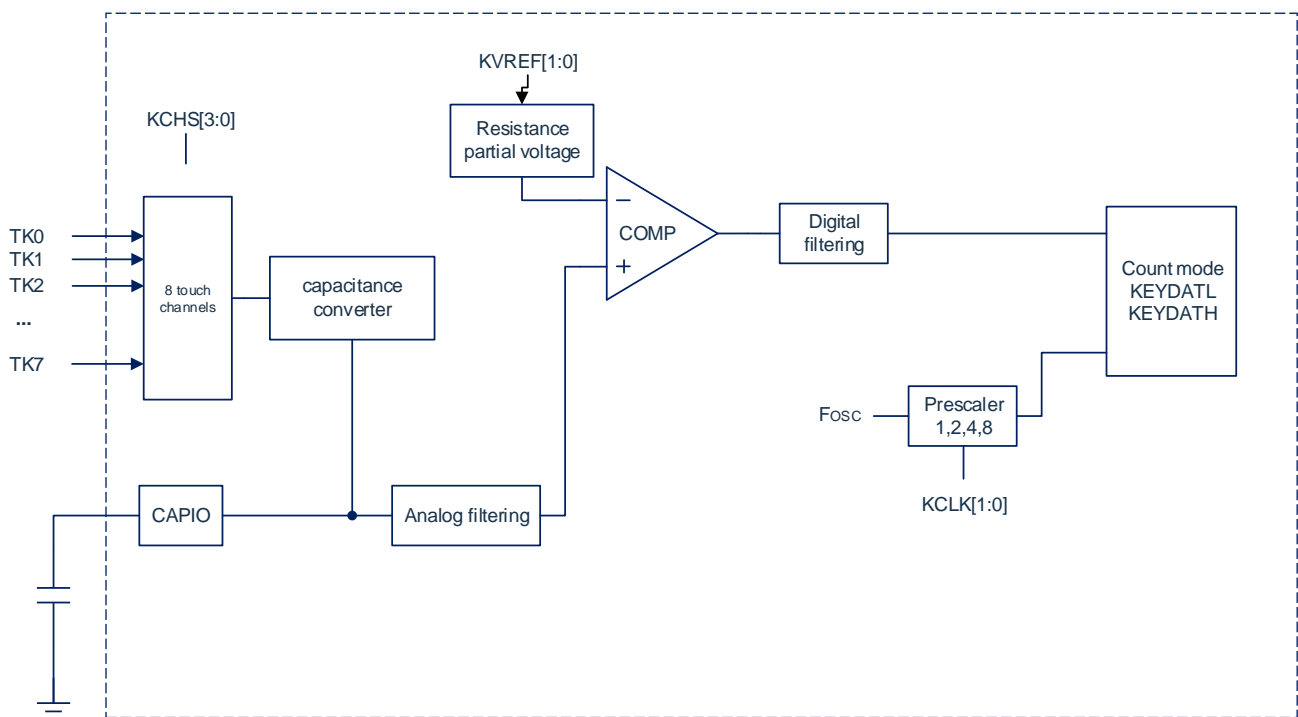


Fig 19-1: Diagram of internal circuit

19.2 Touch Button Related Register

There are mainly 5 registers related touch button, namely control register KEYCON0、KEYCON1 and KEYCON2, result register KEYDATL and KEYDATH.

Touch button result register lower bit KEYDATL(190H)

190H	Bit7	Bit6	Bit5	Bit4	Bit3	Bit2	Bit1	Bit0
KEYDATL								
R/W	R	R	R	R	R	R	R	R
Reset value	0	0	0	0	0	0	0	0

Touch button result register higher bit KEYDATH(191H)

191H	Bit7	Bit6	Bit5	Bit4	Bit3	Bit2	Bit1	Bit0
KEYDATH								
R/W	R	R	R	R	R	R	R	R
Reset value	0	0	0	0	0	0	0	0

The KEYDATH and the KEYDATL are result registers of touch button, which are read-only. After the touch detection is completed, the detection result can be read from KEYDATH and KEYDATL.

Touch button control register KEYCON0(18CH)

18CH	Bit7	Bit6	Bit5	Bit4	Bit3	Bit2	Bit1	Bit0
KEYCON0	KDONE	----	CAPK[2:0]			KTOUT	KCAP	KEN
R/W	R	----	R/W	R/W	R/W	R	R/W	R/W
Reset value	0	----	0	0	0	0	0	0

Bit7	KDONE: Touch button detection complete flag bit; 0= Detection not complete; 1= Detection complete.
Bit6	Reserved
Bit5~Bit3	CAPK[2:0]: Selection of internal shunt capacitor of key port (C≈0.4pF); 000= No shunt capacitor; 001= Internal shunt capacitor of key port is C×1; 010= Internal shunt capacitor of key port is C×2; 011= Internal shunt capacitor of key port is C×3; 100= Internal shunt capacitor of key port is C×4; 101= Internal shunt capacitor of key port is C×5; 110= Internal shunt capacitor of key port is C×6; 111= Internal shunt capacitor of key port is C×7;
Bit2	KTOUT: Key result counter overflow flag bit; 0= No overflow; 1= Overflow.
Bit1	KCAP: Touch button capacitance enable bit (RB6 pin) ; 0= Disable; 1= Enable.
Bit0	KEN: Touch button detection start bit; 0= Stop touch button detection, when this bit is 0, the KEYDATH and KEYDATL are cleared automatically; 1= Start touch button detection, it must be kept at 1 during detection.

Touch button control register KEYCON1(18DH)

18DH	Bit7	Bit6	Bit5	Bit4	Bit3	Bit2	Bit1	Bit0
KEYCON1	KVREF[1:0]		KCLK[1:0]		KCHS[3:0]			
R/W	R/W	R/W	R/W	R/W	R/W	R/W	R/W	R/W
Reset value	0	0	0	0	0	0	0	0

Bit7~Bit6 KVREF: Selection of negative voltage of touch button internal comparator;
 00= $0.4 \cdot V_{LDO}$;
 01= $0.5 \cdot V_{LDO}$;
 10= $0.6 \cdot V_{LDO}$;
 11= $0.7 \cdot V_{LDO}$.

Bit5~Bit4 KCLK: Selection of touch button clock F_{TKDIV} division;
 00= $F_{TKDIV}=F_{OSC}$;
 01= $F_{TKDIV}=F_{OSC} / 2$;
 10= $F_{TKDIV}=F_{OSC} / 4$;
 11= $F_{TKDIV}=F_{OSC} / 8$.

Bit3~Bit0 KCHS: Channel selection for detection;
 KCHS[3:0]:
 0000: Select TK0 channel;
 0001: Select TK1 channel;
 0010: Select TK2 channel;
 0011: Select TK3 channel;
 ...
 0110: Select TK6 channel;
 0111: Select TK7 channel.
 1xxx: Reserved

Touch button control register KEYCON2(18EH)

18EH	Bit7	Bit6	Bit5	Bit4	Bit3	Bit2	Bit1	Bit0
KEYCON2	CAP_LVBO[2:0]			----	LDOEN	----	----	TKEN
R/W	R/W	R/W	R/W	----	R/W	----	----	R/W
Reset value	0	0	0	----	0	----	----	0

Bit7~Bit5 CAP_LVBO[2:0] Digital filtering time selection of end flag bit ($T_{TKDIV}=1/F_{TKDIV}$).

- 000= filtering time $1 \cdot T_{TKDIV}$
- 001= filtering time $2 \cdot T_{TKDIV}$
- 010= filtering time $3 \cdot T_{TKDIV}$
- 011= filtering time $4 \cdot T_{TKDIV}$
- 100= filtering time $5 \cdot T_{TKDIV}$
- 101= filtering time $6 \cdot T_{TKDIV}$
- 110= filtering time $7 \cdot T_{TKDIV}$
- 111= filtering time $8 \cdot T_{TKDIV}$

Bit4 Reserved

Bit3 LDOEN LDO enable bit;
 0= Disable LDO, using VDD voltage as a reference.
 1= Enable LDO, using LDO voltage as a reference.

Bit2~Bit1 Reserved

Bit0 TKEN Touch button mod total enable bit.
 0: Disable touch button mod.
 1: Enable touch button mod.

19.3 Application for Touch Button Mod

19.3.1 The process of reading “data of touch button” in query mode

1. Enable input of the corresponding IO (including key port and the sensitivity adjustment capacitor port);
2. Set the TKEN bit in KEYCON2 as 1;
3. Set the touch button control register KEYCON1 (including channel selection, touch button detected clock configuration, negative voltage of comparator configuration);
4. Set the KEYCON2 (digital filter selection, frequency hopping selection);
5. Set the touch button control register KEYCON1(including touch button clock source selection, etc.);
6. Set the touch button control register KEYCON0 (enable the capacitor and select whether the Internal shunt capacitor of key port is needed);
7. Set the 0th bit KEN of KEYCON0 from high to low, start the touch button detection;
8. Judge whether the 7th bit KDONE of KEYCON0 is high;
9. Read the 16bits data;
10. Finish touch button detection: KEN=0;
11. Return to step 3 to continue the detection of next channel.

Example: detection of touch button (KEY0) in query mode

KEY_START:	LDIA	00H	
	LD	INTCON, A	; disable interrupt
	LDIA	B'00000001'	
	LD	TRISA, A	; RA0 set as touch button detected port
	LDIA	B'01000000'	; RB6 set as sensitivity capacitor port
	LD	TRISB, A	
	SETB	KEYCON2, 0	; enable the touch button mod
	LDIA	B'01010000'	
	LD	KEYCON1, A	; set the negative voltage of comparator, and the detected clock and channel of touch button
	LDIA	02H	
	LD	KEYCON0, A	; set the digital filtering time
	SETB	KEYCON0, 0	; start to detect
WAIT:	SNZB	KEYCON0, 7	; wait for detection finish
	JP	WAIT	
	LD	A, KEYDATH	
	LD	R01, A	; Save the higher 8-bit result to the user-defined ram
	LD	A, KEYDATL	
	LD	R02, A	; Save the lower 8-bit result to the user-defined ram
	CLRB	KEYCON0, 0	; end of detection
	JP	XXXX	; go to other program

19.3.2 Judge method of key press

- Base of judgment: no press down---large “data”; press down---small “data”;
- The current value is smaller than previous value in a certain extent, which can be considered as the key have been “pressed down”;
- Within a certain period of time, “data” change from large to small is considered that a key is pressed.

Example: judgment of key press

K_START:	LD	A, KOLDH	;start to judge, higher bit first
	SUBA	KDATAH	;subtract the previous key value from the current key value
	SZB	STATUS, Z	
	JP	K_H_SAME	;if the higher bit is equal, judge the lower bit
	SZB	STATUS, C	
	JP	KNO	;if the higher bit of current value larger than the previous one, there is no key press
	SUBIA	01H	
	SNZB	STATUS, C	
	JP	KHAVE	;if the higher bit of current value smaller than the previous one, and the difference is greater or equal to 2, there is a key press
	LD	A, KDATAH	
	SUBA	KOLDL	
	SZB	STATUS, C	
	JP	KHAVE	;if the higher bit of current value is 1 less than the previous value, and the lower bit is also smaller, then there is a key press
	SUBIA	0AH	
	SZB	STATUS, C	
JP	KHAVE	;if the whole value is more than 10 smaller than previous value, there is a key press	
JP	KNO	;if the whole value is not more than 10 smaller than previous value, there is no key press	
K_H_SAME:	LD	A, KDATAH	
	SUBA	KOLDL	
	SNZB	STATUS, C	
JP	K_NO	;if the higher bit is equal and the lower bit is greater than the previous value, there is no key press	
SUBIA	0AH		
SZB	STATUS, C		
JP	KNO	;if the current value is more than 10 smaller than the previous value, there is a key press	
KHAVE:	...		;program of key press
	JP	XXXX	;deal with the corresponding program and go to other program
KNO:	...		;program of no key press
	JP	XXXX	; deal with the corresponding program and go to other program

The previous value store in the KOLDH and KOLDL, and the current value store in the KDATAH and KDATAH. It is considered that the key is pressed when the current value more than 10 lower than the previous value in this example, but this threshold should be set according to the specific situation in practical application.

19.4 Precautions for Touch Button Mod

- ◆ The ground wire of the detection part of the touch button should be separately connected to an independent ground, and another point is connected to the common ground of the whole machine.
- ◆ Avoid high-voltage, high-current, high-frequency operation of the motherboard and the touch circuit board. If it is unavoidable, try to stay away from the area of the high-voltage current or add shielding on the motherboard.
- ◆ The connection between the sensor pad and the touch chip should be as short and thin as possible. If the PCB process allows it, try to use a line width of 0.1mm.
- ◆ The connection between the sensor panel and the touch chip should not cross the signal line with strong interference and high frequency.
- ◆ Do not use other signal lines around 0.5mm from the sensor panel to the touch chip.

20. Low Voltage detection (LVD)

20.1 LVD Mod General

SC8F577x series of MCU have a low-voltage detection function, which can be used to monitor the power supply voltage. If the power supply voltage is lower than the set value, an interrupt signal can be generated; the program can read the LVD output flag bit in real time.

20.2 LVD Related Register

There is one register related to the LVD mode.

LVD control register LVDCON (11FH)

11FH	Bit7	Bit6	Bit5	Bit4	Bit3	Bit2	Bit1	Bit0
LVDCON	LVD_RES	—	—	—	LVD_SEL[2:0]			LV DEN
R/W	R	—	—	—	R/W	R/W	R/W	R/W
Reset Value	X	—	—	—	0	0	0	0

Bit7	LVD_RES:	LVD output result
	0=	VDD> Set LVD voltage;
	1=	VDD< Set LVD voltage;
Bit6~Bit4	Not used	
Bit3~Bit1	LVD_SEL[2:0]:	LVD voltage selection
	000=	2.2V;
	001=	2.4V;
	010=	2.7V;
	011=	3.0V;
	100=	3.3V;
	101=	3.7V;
	110=	4.0V;
	111=	4.3V;
Bit0	LV DEN:	LVD enable bit
	0=	disable;
	1=	enable;

20.3 LVD Operation

By setting the LVD voltage value in the LVDCON register, after enabling LV DEN, when the power supply voltage is lower than the set voltage value, the LVD_RES bit in the LVDCON register is set high. After LVD mod is enabled, it takes a delay of 10us to be able to read the LVD_RES bit, because the internal has done filtering processing to reduce the frequent fluctuation of the LVD output result when the VLVD voltage is near.

LVD mod has its own interrupt flag bit. When the relevant interrupt enable bit is set, and the power supply voltage is lower than the set voltage value, LVD interrupt will be generated, the interrupt flag bit LVDIF will be set to 1, and interrupt generation. LVD is cannot used for interrupt wake up mode.

21. Electrical Parameter

21.1 Limit Parameter

Supplying voltage.....	GND-0.3V~GND+5V
Storage temperature.....	-50°C~125°C
Working temperature.....	-20°C~75°C
Port input voltage.....	GND-0.3V~VDD+0.3V
Maximum source current for all ports.....	200mA
Maximum sink current for all ports.....	-150mA

Note: If the device operating conditions exceed the above "limit parameters", it may cause permanent damage to the device. The above values are only the maximum value of the operating conditions. We do not recommend that the device operate outside the range specified in this specification. The device works for a long time. Under extreme conditions, its stability will be affected.

21.2 DC Feature

(VDD=3.3V, T_A= 25°C, unless otherwise indicated)

Symbol	Parameter	Test condition		Min	Typ	Max	Unit
		VDD	Condition				
VDD	Working voltage	-	16MHz	1.8	-	4.5	V
I _{DD}	Working current	3.3V	Turn off all analog mode F _{CPU} =4MHz	-	1.7	-	mA
		2.5V	Turn off all analog mode F _{CPU} =4MHz	-	1.4	-	mA
		3.3V	Turn off all analog mode F _{CPU} =8kHz	-	12	-	uA
		2.5V	Turn off all analog mode F _{CPU} =8kHz	-	10	-	uA
I _{STB}	Static current	3.3V	T _A = 25°C	-	0.1	2	μA
		2.5V	T _A = 25°C	-	0.1	2	μA
V _{IL}	Low level input voltage	-	----	-	-	0.3VDD	V
V _{IH}	High level input voltage	-	----	0.7VDD	-	-	V
V _{OH}	High level output voltage	-	No load	0.9VDD	-	-	V
V _{OL}	Low level output voltage	-	No load	-	-	0.1VDD	V
V _{EEPROM}	EEPROM mode working voltage	-	----	2.5	-	4.5	V
R _{PH}	Pull up resistor resistance	3.3V	V _O =0.5VDD	-	27	-	KΩ
		2.5V	V _O =0.5VDD	-	27	-	KΩ
R _{PD}	Pull down resistor resistance	3.3V	V _O =0.5VDD	-	27	-	KΩ
		2.5V	V _O =0.5VDD	-	27	-	KΩ
I _{OL}	Output port source current	3.3V	V _{OL} =0.3VDD	-	36	-	mA
		2.5V	V _{OL} =0.3VDD	-	23	-	mA
I _{OH1}	Output port drain current	3.3V	V _{OH} =0.7VDD	-	19	-	mA
		2.5V	V _{OH} =0.7VDD	-	10	-	mA
V _{BG}	Internal reference voltage 1.2V	VDD=1.8~4.5V T _A =25°C		-1.5%	1.2	1.5%	V
		VDD=1.8~4.5V T _A =-20~75°C		-2.0%	1.2	2.0%	V

21.3 ADC Feature

($T_A = 25^\circ\text{C}$, unless otherwise indicated)

Symbol	Parameter	Test condition	Min	Typ	Max	Unit
V_{AD}	Working voltage		2.0		4.5	V
NR	Accuracy	$GND \leq V_{AIN} \leq VDD$ or $ADVREF$		12		bit
V_{AIN}	Input voltage range		0		VDD $ADVREF$	V
I_{ADC}	ADC current	$VDD=3V$, reference voltage = VDD , $V_{AIN}=1V$		2		mA
DNL1	Differential nonlinearity error 1	$VDD=3V$, reference voltage = VDD , $AD_CLK=4MHz$			± 2	LSB
INL1	Integral nonlinearity error 1	$VDD=3V$, reference voltage = VDD , $AD_CLK=4MHz$			± 2	LSB
DNL2	Differential nonlinearity error 2	$VDD=3V$, reference voltage = 2.4V, $AD_CLK=4MHz$, $V_{AIN}<0.8V$			± 3	LSB
INL2	Integral nonlinearity error 2	$VDD=3V$, reference voltage = 2.4V, $AD_CLK=4MHz$, $V_{AIN}<0.8V$			± 3	LSB
DNL3	Differential nonlinearity error 3	$VDD=3V$, reference voltage = 2.0V, $AD_CLK=2MHz$, $V_{AIN}<0.7V$			± 3	LSB
INL3	Integral nonlinearity error 3	$VDD=3V$, reference voltage = 2.0V, $AD_CLK=2MHz$, $V_{AIN}<0.7V$			± 3	LSB
DNL4	Differential nonlinearity error 4	$VDD=3V$, reference voltage = 1.2V, $AD_CLK=0.5MHz$, $V_{AIN}<0.4V$			± 3	LSB
INL4	Integral nonlinearity error 4	$VDD=3V$, reference voltage = 1.2V, $AD_CLK=0.5MHz$, $V_{AIN}<0.4V$			± 3	LSB
F_{ADC}	Conversion clock	$VDD=3V$, reference voltage = VDD			4	MHz
		$VDD=3V$, reference voltage = 2.4V			4	MHz
		$VDD=3V$, reference voltage = 2.0V			4	MHz
		$VDD=3V$, reference voltage = 1.2V			0.5	MHz
		$VDD=2V$, reference voltage = VDD			2	MHz
T_{ADC}	Conversion time	$AD_CLK=4MHz$		4		us

21.4 ADC Internal LDO Reference Voltage Characteristics

($T_A = 25^\circ\text{C}$, unless otherwise specified)

Symbol	Parameter	Test condition	Min	Typ	Max	Unit
AD_{VREF1}	LDO=1.2 V Voltage Temperature Characteristics	$VDD=4V$ $T_A=25^\circ\text{C}$	-0.6%	2.0	+0.6%	V
		$VDD=1.8\sim 4.5V$ $T_A=25^\circ\text{C}$	-1.0%	2.0	+1.0%	V
		$VDD=1.8\sim 4.5V$ $T_A=-40^\circ\text{C}\sim 85^\circ\text{C}$	-1.5%	2.0	+1.5%	V
AD_{VREF2}	LDO=2.0V Voltage Temperature Characteristics	$VDD=4V$ $T_A=25^\circ\text{C}$	-0.6%	2.0	+0.6%	V
		$VDD=2.2\sim 4.5V$ $T_A=25^\circ\text{C}$	-1.0%	2.0	+1.0%	V
		$VDD=2.2\sim 4.5V$ $T_A=-40^\circ\text{C}\sim 85^\circ\text{C}$	-1.5%	2.0	+1.5%	V
AD_{VREF3}	LDO=2.4V Voltage Temperature Characteristics	$VDD=4V$ $T_A=25^\circ\text{C}$	-0.6%	2.4	+0.6%	V
		$VDD=2.6\sim 4.5V$ $T_A=25^\circ\text{C}$	-1.0%	2.4	+1.0%	V
		$VDD=2.6\sim 4.5V$ $T_A=-40^\circ\text{C}\sim 85^\circ\text{C}$	-1.5%	2.4	+1.5%	V

21.5 COMP Feature

($T_A=25^{\circ}\text{C}$, unless otherwise indicated)

Symbol	Parameter	Test condition	Min	Typ	Max	Unit
VDD _{COMP}	Working voltage range		2.0		4.5	V
I _{COMP}	Working current	COMP+ =3V COMP- =3V VDD=3.3V		60		uA
V _{IN}	Input common mode voltage range	VDD=3.3V	1.8		4.5	V
V _{LIM}	Comparison threshold range	VDD=2.0~4.5V, ILIM=01	150	200	250	mV
		VDD=2.0~4.5V, ILIM=10	225	300	375	mV
V _{OFFSET}	Offset voltage	VDD=2.0~4.5V	-20		20	mV
LSB	Minimum resolution			1	2	mV
T _{RESPONSE}	Response time				1	us
R _{IN}	Input impedance	VDD=3.3V		150		KΩ

21.6 PGA Feature

($T_A=25^{\circ}\text{C}$, unless otherwise indicated)

Symbol	Parameter	Test condition	Min	Typ	Max	Unit
VDD _{PGA}	Working voltage range		2.0		4.5	V
I _{PGA}	Working current	VDD=3.3V		180		uA
V _{IN}	Input common mode voltage range	VDD=3.3V	40		150	mV
V _{OUT}	Output voltage range	VDD=3.3V	0.04		1.2	V
R _{IN}	Input impedance	VDD=3.3V		300		KΩ
GN	Gain		4		16	
GN_ERR	Gain error	PGACH=1 and 0, take the average value for each test			1.6%	

21.7 Constant Current Source Feature

($T_A=25^{\circ}\text{C}$, unless otherwise indicated)

Symbol	Parameter	Test condition	Min	Typ	Max	Unit
VDD	Working voltage range		2.5		4.5	V
I _{OUT2}	Output current 2	VDD=2.5~4.5V, V _{OUT} =0~0.2V	49	50	51	mA
V _{OUT}	Output voltage range	VDD=2.5~4.5V	0		0.2	V

21.8 LVR Feature

($T_A=25^{\circ}\text{C}$, unless otherwise indicated)

Symbol	Parameter	Test condition	Min	Typ	Max	Unit
V _{LVR1}	LVR set voltage =1.8V	VDD=1.6~4.5V	1.7	1.8	1.9	V
V _{LVR2}	LVR set voltage =2.0V	VDD=1.8~4.5V	1.9	2.0	2.1	V
V _{LVR3}	LVR set voltage =2.5V	VDD=2.2~4.5V	2.4	2.5	2.6	V

21.9 AC Feature

($T_A = 25^\circ\text{C}$, unless otherwise indicated)

Symbol	Parameter	Test condition		Min	Typ	Max	Unit
		VDD	Condition				
T_{WDT}	WDT reset time	3.3V	-		18		ms
		2.5V	-		18		ms
T_{EEPROM}	EEPROM programming time	3.3V	$F_{\text{HSI}}=8\text{MHz}$			5/10	ms
		2.5V	$F_{\text{HSI}}=8\text{MHz}$			5/10	ms
		3.3V	$F_{\text{HSI}}=16\text{MHz}$			5/10	ms
		2.5V	$F_{\text{HSI}}=16\text{MHz}$			5/10	ms
F_{RC}	Internal frequency stability	VDD=2.5~4.5V $T_A=25^\circ\text{C}$		-1.5%	8	+1.5%	MHz
		VDD=1.8~4.5V $T_A=25^\circ\text{C}$		-2%	8	+2%	MHz
		VDD=2.5~4.5V $T_A=-20\sim75^\circ\text{C}$		-2.5%	8	+2.5%	MHz
		VDD=1.8~4.5V $T_A=-20\sim75^\circ\text{C}$		-3.5%	8	+3.5%	MHz
		VDD=2.5~4.5V $T_A=25^\circ\text{C}$		-1.5%	16	+1.5%	MHz
		VDD=1.8~4.5V $T_A=25^\circ\text{C}$		-2%	16	+2%	MHz
		VDD=2.5~4.5V $T_A=-20\sim75^\circ\text{C}$		-2.5%	16	+2.5%	MHz
		VDD=1.8~4.5V $T_A=-20\sim75^\circ\text{C}$		-3.5%	16	+3.5%	MHz

22. Instructions

22.1 Instructions Table

mnemonic	operation	Instructions period	symbol
control-3			
NOP	Empty operation	1	None
STOP	Enter sleep mode	1	TO, PD
CLRWDT	Clear watchdog timer	1	TO, PD
Data transfer-4			
LD [R], A	Transfer content to ACC to R	1	NONE
LD A, [R]	Transfer content to R to ACC	1	Z
TESTZ [R]	Transfer the content of data memory data memory	1	Z
LDIA i	Transfer I to ACC	1	NONE
logic operation -16			
CLRA	Clear ACC	1	Z
SET [R]	Set data memory R	1	NONE
CLR [R]	Clear data memory R	1	Z
ORA [R]	Perform 'OR' on R and ACC, save the result to ACC	1	Z
ORR [R]	Perform 'OR' on R and ACC, save the result to R	1	Z
ANDA [R]	Perform 'AND' on R and ACC, save the result to ACC	1	Z
ANDR [R]	Perform 'AND' on R and ACC, save the result to R	1	Z
XORA [R]	Perform 'XOR' on R and ACC, save the result to ACC	1	Z
XORR [R]	Perform 'XOR' on R and ACC, save the result to R	1	Z
SWAPA [R]	Swap R register high and low half byte, save the result to ACC	1	NONE
SWAPR [R]	Swap R register high and low half byte, save the result to R	1	NONE
COMA [R]	The content of R register is reversed, and the result is stored in ACC	1	Z
COMR [R]	The content of R register is reversed and the result is stored in R	1	Z
XORIA i	Perform 'XOR' on i and ACC, save the result to ACC	1	Z
ANDIA i	Perform 'AND' on i and ACC, save the result to ACC	1	Z
ORIA i	Perform 'OR' on i and ACC, save the result to ACC	1	Z
Shift operation-8			
RRCA [R]	Data memory rotates one bit to the right with carry, the result is stored in ACC	1	C
RRCR [R]	Data memory rotates one bit to the right with carry, the result is stored in R	1	C
RLCA [R]	Data memory rotates one bit to the left with carry, the result is stored in ACC	1	C
RLCR [R]	Data memory rotates one bit to the left with carry, the result is stored in R	1	C
RLA [R]	Data memory rotates one bit to the left without carry, and the result is stored in ACC	1	NONE
RLR [R]	Data memory rotates one bit to the left without carry, and the result is stored in R	1	NONE
RRA [R]	Data memory does not take carry and rotates to the right by one bit, and the result is stored in ACC	1	NONE
RRR [R]	Data memory does not take carry and rotates to the right by one bit, and the result is stored in R	1	NONE
Increase/decrease-4			
INCA [R]	Increment data memory R, result stored in ACC	1	Z

mnemonic		operation	Instructions period	symbol
INCR	[R]	Increment data memory R, result stored in R	1	Z
DECA	[R]	Decrement data memory R, result stored in ACC	1	Z
DECR	[R]	Decrement data memory R, result stored in R	1	Z
Bit operation-2				
CLRB	[R], b	Clear some bit in data memory R	1	NONE
SETB	[R], b	Set some bit in data memory R 1	1	NONE
Math operation-16				
ADDA	[R]	ACC+[R]→ACC	1	C, DC, Z,
ADDR	[R]	ACC+[R]→R	1	C, DC, Z,
ADDCA	[R]	ACC+[R]+C→ACC	1	Z, C, DC,
ADDCR	[R]	ACC+[R]+C→R	1	Z, C, DC,
ADDIA	i	ACC+i→ACC	1	Z, C, DC,
SUBA	[R]	[R]-ACC→ACC	1	C, DC, Z,
SUBR	[R]	[R]-ACC→R	1	C, DC, Z,
SUBCA	[R]	[R]-ACC-C→ACC	1	Z, C, DC,
SUBCR	[R]	[R]-ACC-C→R	1	Z, C, DC,
SUBIA	i	i-ACC→ACC	1	Z, C, DC,
HSUBA	[R]	ACC-[R]→ACC	1	Z, C, DC,
HSUBR	[R]	ACC-[R]→R	1	Z, C, DC,
HSUBCA	[R]	ACC-[R]- \overline{C} →ACC	1	Z, C, DC,
HSUBCR	[R]	ACC-[R]- \overline{C} →R	1	Z, C, DC,
HSUBIA	i	ACC-i→ACC	1	Z, C, DC,
Unconditional transfer -5				
RET		Return from subroutine	2	NONE
RET	i	Return from subroutine, save I to ACC	2	NONE
RETI		Return from interrupt	2	NONE
CALL	ADD	Subroutine call	2	NONE
JP	ADD	Unconditional jump	2	NONE
Conditional transfer-8				
SZB	[R], b	If the b bit of data memory R is "0", skip the next instruction	1 or 2	NONE
SNZB	[R], b	If the b bit of data memory R is "1", skip the next instruction	1 or 2	NONE
SZA	[R]	data memory R is sent to ACC, if the content is "0", skip the next instruction	1 or 2	NONE
SZR	[R]	If the content of data memory R is "0", skip the next instruction	1 or 2	NONE
SZINCA	[R]	Add "1" to data memory R and put the result into ACC, if the result is "0", skip the next one instructions	1 or 2	NONE
SZINCR	[R]	Add "1" to data memory R, put the result into R, if the result is "0", skip the next instruction	1 or 2	NONE
SZDECA	[R]	Data memory R minus "1", the result is put into ACC, if the result is "0", skip the next instruction	1 or 2	NONE
SZDECR	[R]	Data memory R minus "1", put the result into R, if the result is "0", skip the next one instructions	1 or 2	NONE

22.2 Instructions Illustration

ADDA [R]

operation: Add ACC to R, save the result to ACC

period: 1

Affected flag bit: C, DC, Z, OV

example:

```
LDIA      09H          ;load 09H to ACC
LD        R01, A      ;load ACC (09H) to R01
LDIA      077H        ;load 77H to ACC
ADDA      R01          ;execute: ACC=09H + 77H =80H
```

ADDR [R]

operation: Add ACC to R , save the result to R

period: 1

Affected flag bit: C, DC, Z, OV

example:

```
LDIA      09H          ;load 09H to ACC
LD        R01, A      ; load ACC (09H) to R01
LDIA      077H        ; load 77H to ACC
ADDR      R01          ;execute: R01=09H + 77H =80H
```

ADDCA [R]

operation: Add ACC to C, save the result to ACC

period: 1

affected flag bit: C, DC, Z, OV

example:

```
LDIA      09H          ; load 09H to ACC
LD        R01, A      ; load ACC (09H) to R01
LDIA      077H        ; load 77H to ACC
ADDCA     R01          ;execute: ACC= 09H + 77H + C=80H (C=0)
                                     ACC= 09H + 77H + C=81H (C=1)
```

ADDCR [R]

operation: Add ACC to C, save the result to R

period: 1

affected flag bit: C, DC, Z, OV

example:

```
LDIA      09H          ; load 09H to ACC
LD        R01, A      ; load ACC (09H) to R01
LDIA      077H        ; load 77H to ACC
ADDCR     R01          ;execute: R01 = 09H + 77H + C=80H (C=0)
                                     R01 = 09H + 77H + C=81H (C=1)
```

ADDIA**i**

operation: Add i to ACC, save the result to ACC

period: 1

affected flag bit: C, DC, Z, OV

example:

```
LDIA    09H           ; load 09H to ACC
ADDIA   077H          ; execute: ACC = ACC (09H) + i (77H)=80H
```

ANDA**[R]**

operation: Perform 'AND' on register R and ACC, save the result to ACC

period: 1

affected flag bit: Z

example:

```
LDIA    0FH           ; load 0FH to ACC
LD      R01, A        ; load ACC (0FH) to R01
LDIA    77H           ; load 77H to ACC
ANDA    R01           ; execute: ACC= (0FH and 77H)=07H
```

ANDR**[R]**

operation: Perform 'AND' on register R and ACC, save the result to R

period: 1

affected flag bit: Z

example:

```
LDIA    0FH           ; load 0FH to ACC
LD      R01, A        ; load ACC (0FH) to R01
LDIA    77H           ; load 77H to ACC
ANDR    R01           ; execute: R01= (0FH and 77H)=07H
```

ANDIA**i**

operation: Perform 'AND' on i and ACC, save the result to ACC

period: 1

affected flag bit: Z

example:

```
LDIA    0FH           ; load 0FH to ACC
ANDIA   77H           ; execute: ACC = (0FH and 77H)=07H
```

CALL**add**

operation: Call subroutine

period: 2

affected flag bit: none

example:

```
CALL    LOOP          ; Call the subroutine address whose name is defined as "LOOP"
```

CLRA

operation: ACC clear

period: 1

affected flag bit: Z

example:

```
CLRA ;execute: ACC=0
```

CLR [R]

operation: Register R clear

period: 1

affected flag bit: Z

example:

```
CLR R01 ;execute: R01=0
```

CLRB [R], b

operation: Clear b bit on register R

period: 1

affected flag bit: none

example:

```
CLRB R01, 3 ;execute: 3rd bit of R01 is 0
```

CLRWDT

operation: Clear watchdog timer

period: 1

affected flag bit: TO, PD

example:

```
CLRWDT ;watchdog timer clear
```

COMA [R]

operation: Reverse register R, save the result to ACC

period: 1

affected flag bit: Z

example:

```
LDIA 0AH ;load 0AH to ACC  
LD R01, A ;load ACC (0AH) to R01  
COMA R01 ;execute: ACC=0F5H
```


COMR [R]

operation: Reverse register R, save the result to R

period: 1

affected flag bit: Z

example:

```
LDIA    0AH           ; load 0AH to ACC
LD      R01, A        ; load ACC (0AH) to R01
COMR    R01           ;execute: R01=0F5H
```

DECA [R]

operation: Decrement value in register , save the result to ACC

period: 1

affected flag bit: Z

example:

```
LDIA    0AH           ;load 0AH to ACC
LD      R01, A        ; load ACC (0AH) to R01
DECA    R01           ;execute: ACC= (0AH-1)=09H
```

DECR [R]

operation: Decrement value in register , save the result to R

period: 1

affected flag bit: Z

example:

```
LDIA    0AH           ; load 0AH to ACC
LD      R01, A        ; load ACC (0AH) to R01
DECR    R01           ;execute: R01= (0AH-1)=09H
```

HSUBA [R]

operation: ACC subtract R, save the result to ACC

period: 1

affected flag bit: C, DC, Z, OV

example:

```
LDIA    077H          ; load 077H to ACC
LD      R01, A        ; load ACC (077H) to R01
LDIA    080H          ; load 080H to ACC
HSUBA   R01           ;execute: ACC= (80H-77H)=09H
```

HSUBR [R]

operation: ACC subtract R, save the result to R

period: 1

affected flag bit: C, DC, Z, OV

example:

```
LDIA    077H           ; load 077H to ACC
LD      R01, A         ; load ACC (077H) to R01
LDIA    080H           ; load 080H to ACC
HSUBR   R01            ;execute: R01= (80H-77H)=09H
```

HSUBCA [R]

operation: ACC subtract C, save the result to ACC

period: 1

affected flag bit: C, DC, Z, OV

example:

```
LDIA    077H           ; load 077H to ACC
LD      R01, A         ; load ACC (077H) to R01
LDIA    080H           ; load 080H to ACC
HSUBCA  R01            ;execute: ACC= (80H-77H-C) =09H (C=0)
                               ACC= (80H-77H-C)=08H (C=1)
```

HSUBCR [R]

operation: ACC subtract C, save the result to R

period: 1

affected flag bit: C, DC, Z, OV

example:

```
LDI     077H           ; load 077H to ACC
^
LD      R01, A         ; load ACC (077H) to R01
LDI     080H           ; load 080H to ACC
^
HSU     R01            ;execute: R01= (80H-77H-C) =09H (C=0)
BCR                               R01= (80H-77H-C)=08H (C=1)
```

INCA [R]

operation: Register R increment 1, save the result to ACC

period: 1

affected flag bit: Z

example:

```
LDIA    0AH           ; load 0AH to ACC
LD      R01, A         ; load ACC (0AH) to R01
INCA    R01            ;execute: ACC= (0AH+1)=0BH
```

INCR
[R]

operation: Register R increment 1, save the result to R

period: 1

affected flag bit: Z

example:

```
LDIA    0AH                ; load 0AH to ACC
LD      R01, A             ; load ACC (0AH) to R01
INCR    R01                ;execute: R01= (0AH+1)=0BH
```

JP
add

operation: Jump to add address

period: 2

affected flag bit: none

example:

```
JP      LOOP                ; jump to the subroutine address whose name is defined as "LOOP"
```

LD
A, [R]

operation: Load the value of R to ACC

period: 1

affected flag bit: Z

example:

```
LD      A, R01              ;load R01 to ACC
LD      R02, A              ;load ACC to R02, achieve data transfer from R01→R02
```

LD
[R], A

operation: Load the value of ACC to R

period: 1

affected flag bit: none

example:

```
LDIA    09H                ;load 09H to ACC
LD      R01, A              ;execute: R01=09H
```

LDIA
i

operation: Load in to ACC

period: 1

affected flag bit: none

example:

```
LDIA    0AH                ;load 0AH to ACC
```

NOP

operation: Empty instructions
period: 1
affected flag bit: none
example:

```
NOP  
NOP
```

ORIA**i**

operation: Perform 'OR' on I and ACC, save the result to ACC
period: 1
affected flag bit: Z
example:

```
LDIA    0AH                ; load 0AH to ACC  
ORIA    030H               ;execute: ACC = (0AH or 30H)=3AH
```

ORA**[R]**

operation: Perform 'OR' on R and ACC, save the result to ACC
period: 1
affected flag bit: Z
example:

```
LDIA    0AH                ; load 0AH to ACC  
LD      R01, A             ;load ACC (0AH) to R01  
LDIA    30H                ;load 30H to ACC  
ORA     R01                ;execute: ACC= (0AH or 30H)=3AH
```

ORR**[R]**

operation: Perform 'OR' on R and ACC, save the result to R
period: 1
affected flag bit: Z
example:

```
LDIA    0AH                ; load 0AH to ACC  
LD      R01, A             ; load ACC (0AH) to R01  
LDIA    30H                ; load 30H to ACC  
ORR     R01                ;execute: R01= (0AH or 30H)=3AH
```

RET

operation: Return from subroutine
 period: 2
 affected flag bit: none
 example:

```
CALL    LOOP           ; Call subroutine LOOP
NOP     ; This statement will be executed after RET instructions return
...     ; others
```

LOOP:

```
...     ;subroutine
RET     ;return
```

RET

i

operation: Return with parameter from the subroutine, and put the parameter in ACC
 period: 2
 affected flag bit: none
 example:

```
CALL    LOOP           ; Call subroutine LOOP
NOP     ; This statement will be executed after RET instructions return
...     ;others
```

LOOP:

```
...     ;subroutine
RET    35H             ;return, ACC=35H
```

RETI

operation: Interrupt return
 period: 2
 affected flag bit: none
 example:

```
INT_START ;interrupt entrance
...       ;interrupt procedure
RETI     ;interrupt return
```

RLCA

[R]

operation: Register R rotates to the left with C and save the result into ACC
 period: 1
 affected flag bit: C

example:

```
LDIA    03H           ;load 03H to ACC
LD      R01, A        ;load ACC to R01, R01=03H
RLCA    R01           ;operation result: ACC=06H (C=0);
                        ACC=07H (C=1)
                        C=0
```

RLCR [R]

operation: Register R rotates one bit to the left with C, and save the result into R

period: 1

affected flag bit: C

example:

```
LDIA    03H           ; load 03H to ACC
LD      R01, A       ; load ACC to R01, R01=03H
RLCR    R01          ;operation result: R01=06H (C=0);
                          R01=07H (C=1);
                          C=0
```

RLA [R]

operation: Register R without C rotates to the left, and save the result into ACC

period: 1

affected flag bit: none

example:

```
LDIA    03H           ; load 03H to ACC
LD      R01, A       ; load ACC to R01, R01=03H
RLA     R01          ;operation result: ACC=06H
```

RLR [R]

operation: Register R without C rotates to the left, and save the result to R

period: 1

affected flag bit: none

example:

```
LDIA    03H           ; load 03H to ACC
LD      R01, A       ; load ACC to R01, R01=03H
RLR     R01          ;operation result: R01=06H
```

RRCA [R]

operation: Register R rotates one bit to the right with C, and puts the result into ACC

period: 1

affected flag bit: C

example:

```
LDIA    03H           ; load 03H to ACC
LD      R01, A       ; load ACC to R01, R01=03H
RRCA    R01          ;operation result: ACC=01H (C=0);
                          ACC=081H (C=1);
                          C=1
```

RRCR [R]

operation: Register R rotates one bit to the right with C, and save the result into R

period: 1

affected flag bit: C

example:

```
LDIA    03H           ; load 03H to ACC
LD      R01, A       ; load ACC to R01, R01=03H
RRCR   R01           ;operation result: R01=01H (C=0);
                               R01=81H (C=1);
                               C=1
```

RRA [R]

operation: Register R without C rotates one bit to the right, and save the result into ACC

period: 1

affected flag bit: none

example:

```
LDIA    03H           ; load 03H to ACC
LD      R01, A       ; load ACC to R01, R01=03H
RRA     R01          ;operation result: ACC=81H
```

RRR [R]

operation: Register R without C rotates one bit to the right, and save the result into R

period: 1

affected flag bit: none

example:

```
LDIA    03H           ; load 03H to ACC
LD      R01, A       ; load ACC to R01, R01=03H
RRR     R01          ;operation result: R01=81H
```

SET [R]

operation: Set all bits in register R as 1

period: 1

affected flag bit: none

example:

```
SET     R01           ;operation result: R01=0FFH
```

SETB [R], b

operation: Set b bit in register R

period: 1

affected flag bit: none

example:

```
CLR     R01           ;R01=0
SETB    R01, 3       ;operation result: R01=08H
```

STOP

operation: Enter sleep
period: 1
affected flag bit: TO, PD
example:

```
STOP ; The chip enters the power saving mode, the CPU and oscillator  
stop working, and the IO port keeps the original state
```

SUBIA**i**

operation: ACC minus I, save the result to ACC
period: 1
affected flag bit: C, DC, Z, OV

example:

```
LDIA    077H    ;load 77H to ACC  
SUBIA   80H     ;operation result: ACC=80H-77H=09H
```

SUBA**[R]**

operation: Register R minus ACC, save the result to ACC
period: 1
affected flag bit: C, DC, Z, OV

example:

```
LDIA    080H    ;load 80H to ACC  
LD      R01, A  ;load ACC to R01, R01=80H  
LDIA    77H     ;load 77H to ACC  
SUBA    R01     ;operation result: ACC=80H-77H=09H
```

SUBR**[R]**

operation: Register R minus ACC, save the result to R
period: 1
affected flag bit: C, DC, Z, OV

example:

```
LDIA    080H    ; load 80H to ACC  
LD      R01, A  ; load ACC to R01, R01=80H  
LDIA    77H     ; load 77H to ACC  
SUBR    R01     ;operation result: R01=80H-77H=09H
```


SUBCA [R]

operation: Register R minus ACC minus C, save the result to ACC

period: 1

affected flag bit: C, DC, Z, OV

example:

```

LDIA    080H           ; load 80H to ACC
LD      R01, A         ; load ACC to R01, R01=80H
LDIA    77H           ; load 77H to ACC
SUBCA   R01            ;operation result: ACC=80H-77H-C=09H (C=0);
                               ACC=80H-77H-C=08H (C=1);
  
```

SUBCR [R]

operation: Register R minus ACC minus C, save the result to ACC

period: 1

affected flag bit: C, DC, Z, OV

example:

```

LDIA    080H           ; load 80H to ACC
LD      R01, A         ; load ACC to R01, R01=80H
LDIA    77H           ; load 77H to ACC
SUBCR   R01            ;operation result: R01=80H-77H-C=09H (C=0)
                               R01=80H-77H-C=08H (C=1)
  
```

SWAPA [R]

operation: Register R high and low half byte swap, the save result into ACC

period: 1

affected flag bit: none

example:

```

LDIA    035H           ;load 35H to ACC
LD      R01, A         ; load ACC to R01, R01=35H
SWAPA   R01            ;operation result: ACC=53H
  
```

SWAPR [R]

operation: Register R high and low half byte swap, the save result into R

period: 1

affected flag bit: none

example:

```

LDIA    035H           ; load 35H to ACC
LD      R01, A         ; load ACC to R01, R01=35H
SWAPR   R01            ;operation result: R01=53H
  
```

SZB [R], b

operation: Determine the bit b of register R, if it is 0 then jump, otherwise execute in sequence

period: 1 or 2

affected flag bit: none

example:

```

SZB   R01, 3           ;determine 3rd bit of R01
JP    LOOP             ;if is 1, execute, jump to LOOP
JP    LOOP1            ; if is 0, jump, execute, jump to LOOP1
  
```

SNZB [R], b

operation: Determine the bit b of register R, if it is 1 then jump, otherwise execute in sequence

period: 1 or 2

affected flag bit: none

example:

```

SNZB  R01, 3           ; determine 3rd bit of R01
JP    LOOP             ; if is 0, execute, jump to LOOP
JP    LOOP1            ; if is 1, jump, execute, jump to LOOP1
  
```

SZA [R]

operation: Load the value of R to ACC, if it is 0 then jump, otherwise execute in sequence

period: 1 or 2

affected flag bit: none

example:

```

SZA   R01              ;R01→ACC
JP    LOOP             ;if R01 is not 0, execute, jump to LOOP
JP    LOOP1            ;if R01 is 0, jump, execute, jump to LOOP1
  
```

SZR [R]

operation: Load the value of R to R, if it is 0 then jump, otherwise execute in sequence

period: 1 or 2

affected flag bit: None

example:

```

SZR   R01              ;R01→R01
JP    LOOP             ; if R01 is not 0, execute, jump to LOOP
JP    LOOP1            ; if R01 is 0, jump, execute, jump to LOOP1
  
```

SZINCA [R]

operation: Increment register by 1, save the result to ACC, if it is 0 then jump, otherwise execute in sequence

period: 1 or 2

affected flag bit: none

example:

```
SZINCA  R01          ;R01+1→ACC
JP      LOOP        ; if ACC is not 0, execute, jump to LOOP
JP      LOOP1       ; if ACC is 0, jump, execute, jump to LOOP1
```

SZINCR [R]

operation: Increment register by 1, save the result to R, if it is 0 then jump, otherwise execute in sequence

period: 1 or 2

affected flag bit: none

example:

```
SZINCR  R01          ;R01+1→R01
JP      LOOP        ; if R01 is not 0, execute, jump to LOOP
JP      LOOP1       ; if R01 is 0, jump, execute, jump to LOOP1
```

SZDECA [R]

operation: decrement register by 1, save the result to ACC, if it is 0 then jump, otherwise execute in sequence

period: 1 or 2

affected flag bit: none

example:

```
SZDECA  R01          ;R01-1→ACC
JP      LOOP        ; if ACC is not 0, execute, jump to LOOP
JP      LOOP1       ; if ACC is 0, jump, execute, jump to LOOP1
```

SZDECR [R]

operation: Decrement register by 1, save the result to R, if it is 0 then jump, otherwise execute in sequence

period: 1 or 2

affected flag bit: none

example:

```
SZDECR  R01          ;R01-1→R01
JP      LOOP        ; if R01 is not 0, execute, jump to LOOP
JP      LOOP1       ; if R01 is 0, jump, execute, jump to LOOP1
```

TESTZ**[R]**

operation: Pass the R to R, as affected Z flag bit

period: 1

affected flag bit: Z

example:

```
TESTZ    R0                ;
SZB      STATUS, Z        ;check Z flag bit, if it is 0 then jump
JP       Add1              ;if R0 is 0, jump to address Add1
JP       Add2              ;if R0 is not 0, jump to address Add2
```

XORIA**i**

operation: Perform 'XOR' on I and ACC, save the result to ACC

period: 1

affected flag bit: Z

example:

```
LDIA     0AH                ;load 0AH to ACC
XORIA    0FH                ;execute: ACC=05H
```

XORA**[R]**

operation: Perform 'XOR' on I and ACC, save the result to ACC

period: 1

affected flag bit: Z

example:

```
LDIA     0AH                ; load 0AH to ACC
LD       R01, A              ;load ACC to R01, R01=0AH
LDIA     0FH                ;load 0FH to ACC
XORA     R01                 ;execute: ACC=05H
```

XORR**[R]**

operation: Perform 'XOR' on I and ACC, save the result to R

period: 1

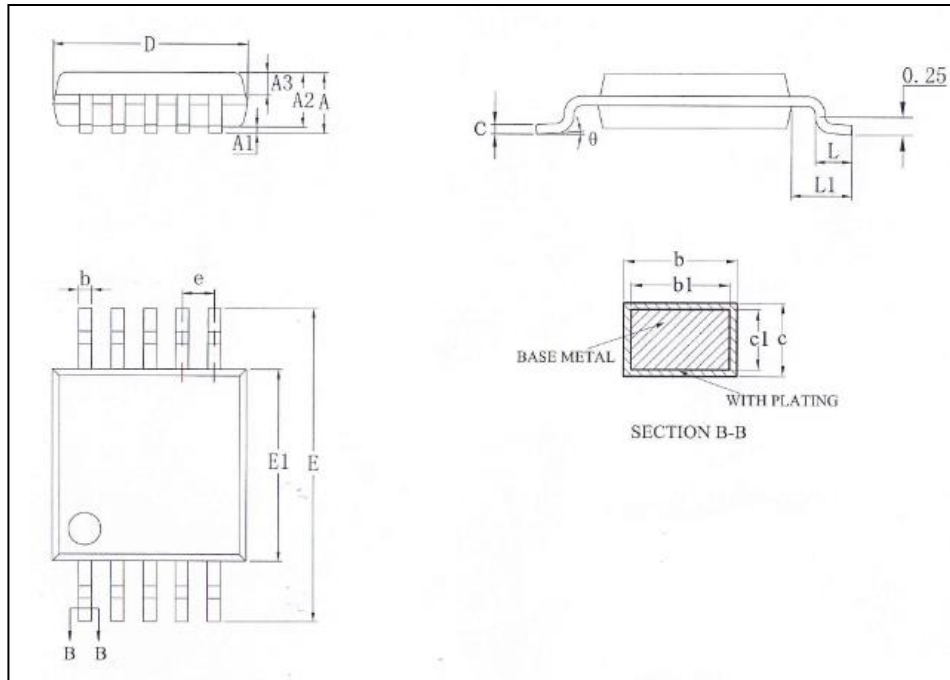
affected flag bit: Z

example:

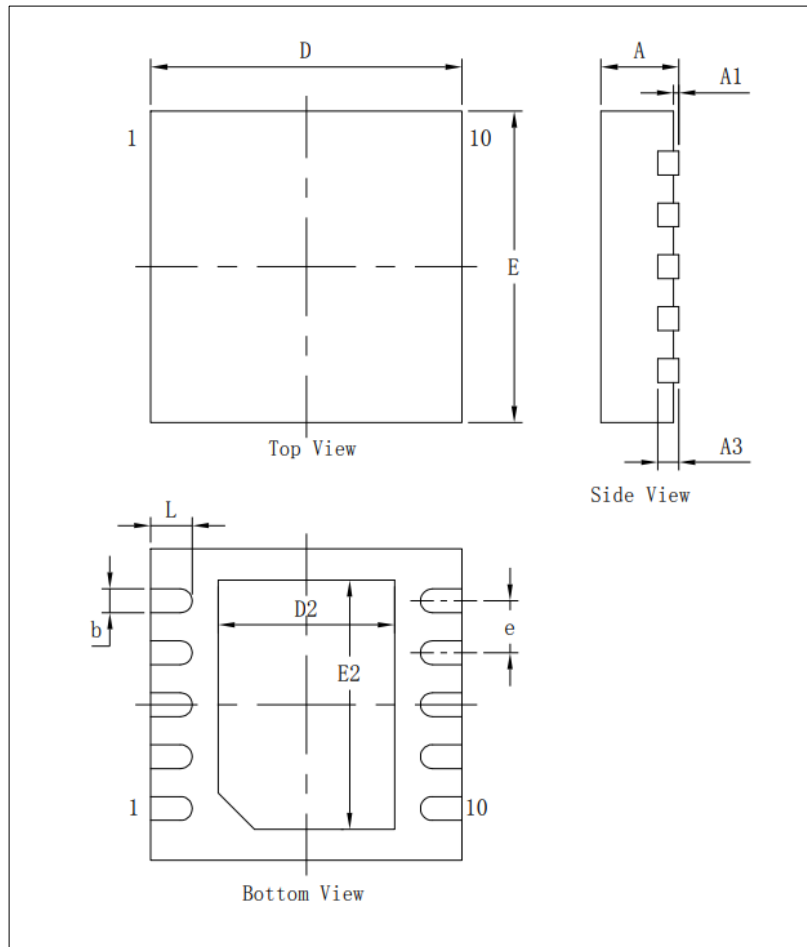
```
LDIA     0AH                ; load 0AH to ACC
LD       R01, A              ; load ACC to R01, R01=0AH
LDIA     0FH                ; load 0FH to ACC
XORR     R01                 ;execute: R01=05H
```

23. Packaging

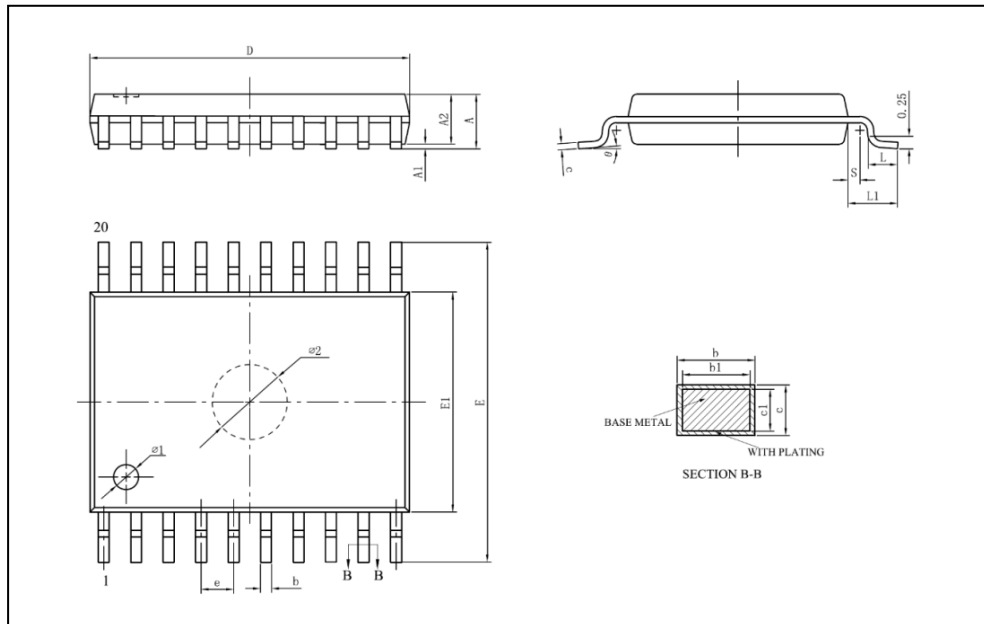
23.1 MSOP10



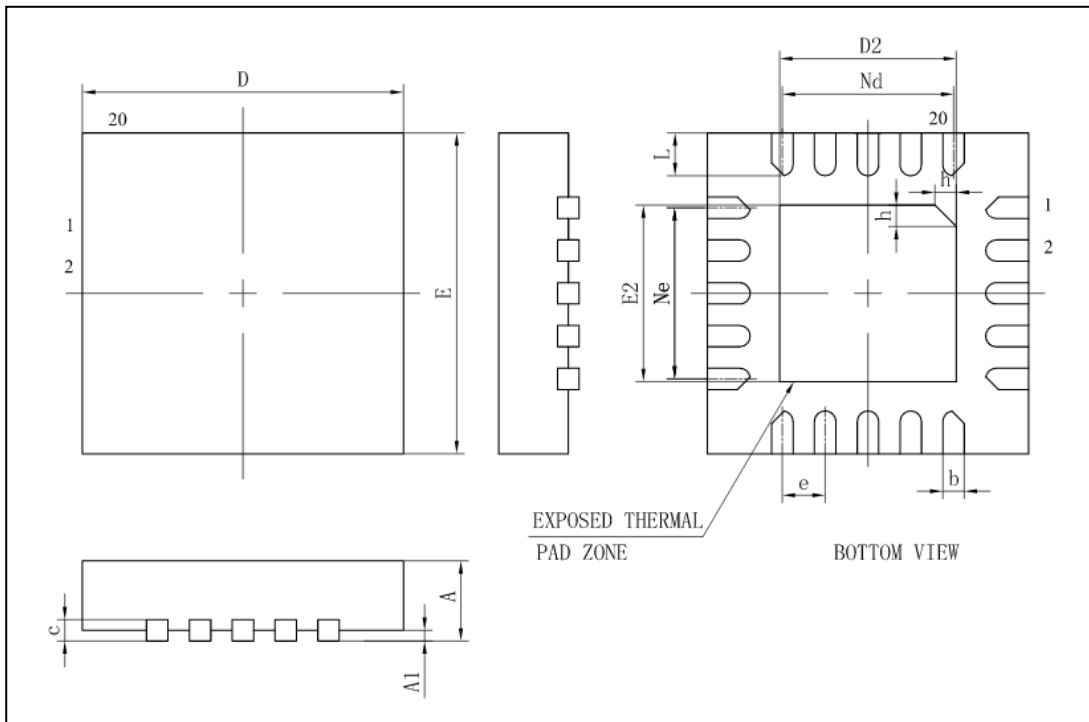
Symbol	Millimeter		
	Min	Nom	Max
A	-	-	1.10
A1	0.05	-	0.15
A2	0.75	0.85	0.95
A3	0.30	0.35	0.40
b	0.18	-	0.26
b1	0.17	0.20	0.23
c	0.15	-	0.19
c1	0.14	0.15	0.16
D	2.90	3.00	3.10
E	4.70	4.90	5.10
E1	2.90	3.00	3.10
e	0.50BSC		
L	0.40	-	0.70
L1	0.95REF		
θ	0	-	8°

23.2 DFN10


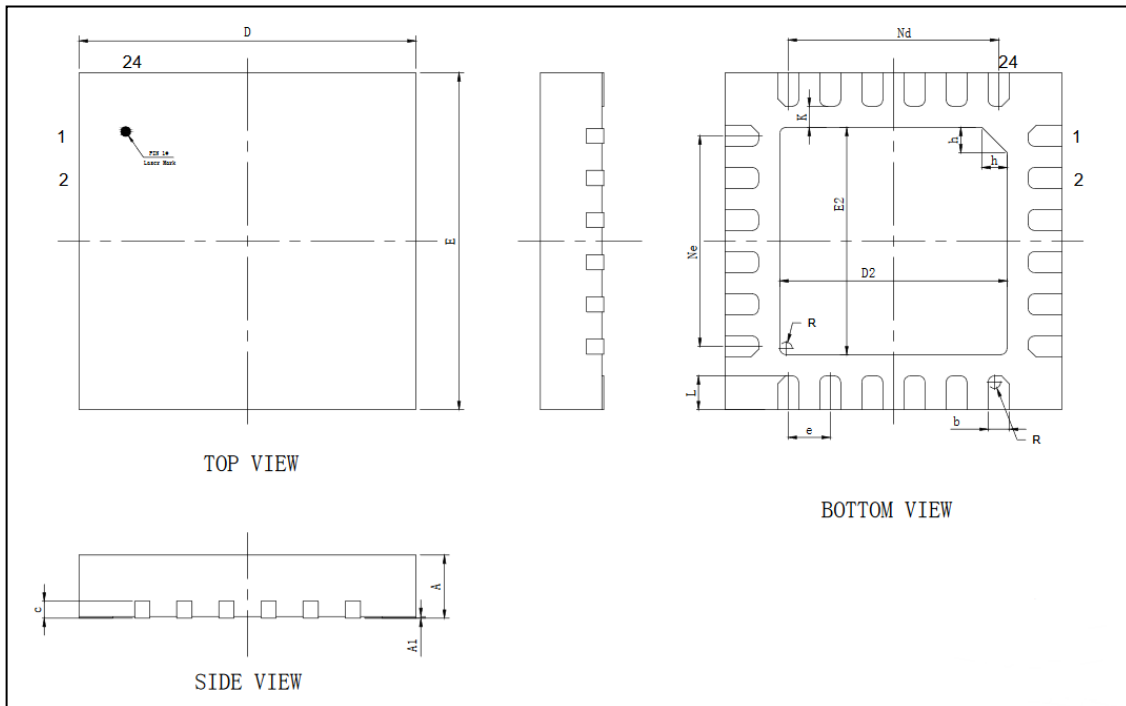
Symbol	Millimeter		
	Min	Nom	Max
A	0.70	0.75	0.80
A1	-	-	0.05
A3	0.203REF		
b	0.18	0.23	0.28
D	2.90	3.00	3.10
E	2.90	3.00	3.10
D2	1.60	1.70	1.80
E2	2.30	2.40	2.50
e	0.50TYP		
L	0.35	0.40	0.45

23.3 TSSOP20


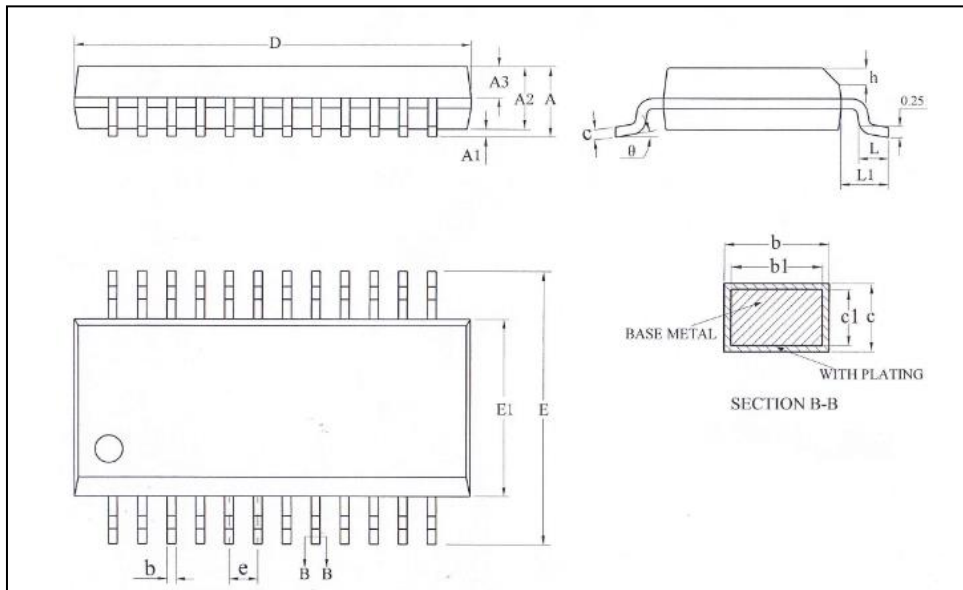
Symbol	Millimeter		
	Min	Nom	Max
A	-	-	1.20
A1	0.05	-	0.15
A2	0.80	1.00	1.05
b	0.19	-	0.30
b1	0.19	0.22	0.25
c	0.09	-	0.20
c1	0.09	-	0.16
D	6.40	6.50	6.60
E1	4.30	4.40	4.50
E	6.20	6.40	6.60
e	0.65BSC		
L	0.45	0.60	0.75
L1	1.00REF		
s	0.20	-	-
$\phi 1$	$\phi 0.8 \times 0.05 \sim 0.10DP$		
$\phi 2$	$\phi 1.50 \times 0.05 \sim 0.15DP$		
θ	0	-	8°

23.4 QFN20


Symbol	Millimeter		
	Min	Nom	Max
A	0.70	0.75	0.80
A1	-	0.02	0.05
b	0.15	0.20	0.25
c	0.18	0.20	0.25
D	2.90	3.00	3.10
D2	1.55	1.65	1.75
e	0.4BSC		
Ne	1.6BSC		
Nd	1.6BSC		
E	2.9	3.00	3.10
E2	1.55	1.65	1.75
L	0.35	0.40	0.45
h	0.20	0.25	0.30

23.5 QFN24


Symbol	Millimeter		
	Min	Nom	Max
A	0.70	0.75	0.80
A1	0	0.02	0.05
b	0.20	0.25	0.30
c	0.203REF		
D	3.90	4.00	4.10
D2	2.60	2.70	2.80
e	0.5BSC		
N_e	2.5BSC		
N_d	2.5BSC		
E	3.90	4.00	4.10
E_2	2.60	2.70	2.80
L	0.35	0.40	0.45
h	0.25	0.30	0.35
K	0.25REF		
R	0.075REF		

23.6 SSOP24


Symbol	Millimeter		
	Min	Nom	Max
A	-	-	1.75
A1	0.10	0.15	0.25
A2	1.30	1.40	1.50
A3	0.60	0.65	0.70
b	0.23	-	0.31
b1	0.22	0.25	0.28
c	0.20	-	0.24
c1	0.19	0.20	0.21
D	8.55	8.65	8.75
E	5.80	6.00	6.20
E1	3.80	3.90	4.00
e	0.635BSC		
h	0.30	-	0.50
L	0.50	-	0.80
L1	1.05REF		
θ	0	-	8°

24. Version Revision

Version number	Time	Revised content
V1.0	Aug, 2019	Original version
V1.1	Feb, 2020	<ol style="list-style-type: none"> 1. Add ADC conversion clock frequency division selection instructions; 2. The SPI mode adds instructions that CKE must be cleared in slave mode; 3. Add touch button chapter descriptions.
V1.2	Apr, 2020	Correct some description errors in the packaging diagram.
V1.3	Apr, 2020	Correct some description errors in the packaging diagram.
V1.4	May, 2020	Modify the description of PWMIO_SEL bits in PWMCON1 in the PWM chapter. Group C PWM1 pin is RA6.
V1.5	May, 2020	Correct the description of USART pin allocation in the feature.
V1.6	Jul, 2020	Add COMP chapter descriptions.
V1.7	Aug, 2020	Correct some electrical parameter.
V1.8	Oct, 2020	Add SC8F5771-DFN10 type.
V1.8.1	Mar, 2023	<ol style="list-style-type: none"> 1. Corrected that RCIF and TXIF in PIR1 register are read-only 2. Corrected TXIF description in PIR1 register 3. Figs 16-3 and 16-4 corrected for USART asynchronous sending 4. Corrected incorrect description of I2CTM master mode receive timing diagram 5. Corrected 16.1.2.3 Receive Interrupt description 6. Corrected the FERR frame error bits in RCSTA register are read-only 7. Add clock block diagram 8. Revised the internal high-speed oscillation frequency to FHSI, and revised the clock sources of other modules according to the clock block diagram 9. Revised sleep wake-up waiting time and LDO reference voltage characteristics inside ADC 10. Delete description of sleep wake-up in ADC interrupt 11. Modify 21.5 COMP Feature